

CABLE CONNECTION AND PROTECTION SYSTEM



WEYER

上海文依电气股份有限公司
Shanghai Weyer Electric Co.,Ltd.

COMPANY PROFILE

公司简介

上海文依电气股份有限公司成立于1999年，注册资金5576.945万元，是一家专业从事电气连接与保护相关产品的研发、生产和销售的高新技术企业，主要产品有电缆防水接头、软管及软管接头、拖链、连接器等，产品广泛应用于轨道交通、汽车制造、电气机械、航天航空、军工装备等领域，产品远销欧洲、亚洲、南美、北美和大洋洲等地区。

秉承技术引领创新，专业铸就品质的经营理念，经过长时间的研发创新、工艺改革、技术升级，文依电气累积了超27年的研发和生产经验，文依电气及其子公司拥有110余项专利及软件著作权，主要产品通过了CE认证，符合欧盟ROHS、REACH要求，部分产品通过了铁路EN45545认证、UL/CUL认证、ATEX/IECEX防爆认证及挪威船级社DNV.GL认证。生产车间配置各类全自动精密加工机床、中央供料系统、全自动组装机及先进的物流搬运系统，更好更快的为客户提供质高价优的文依产品。

文依电气贯彻落实规范化、标准化、精细化的管理方针，通过了TUV颁发的ISO9001:2015、IATF16949:2016质量管理体系认证和IEC80079-34防爆质量管理体系、ISO14001环境管理体系认证及ISO45001职业健康安全认证。多年以来被评为“上海市文明单位”、“上海市科技小巨人企业”、“上海市高新技术企业”、上海市“专精特新”企业、“上海市浦东新区研发机构”、“上海市浦东新区安全生产示范企业”、“上海市浦东新区质量标杆企业”、“上海市浦东新区消防安全先进集体”、“上海市浦东新区商业秘密保护创新试点单位”以及浦东新区航头镇“明星企业”等荣誉称号，公司产品于2024年12月通过了“上海品牌”认证，并连续多年被上海市工商局评为“守合同、重信用”AAA级单位。

2015年文依电气独资建造了又一个现代化新工厂——文依精密科技(上海)有限公司。主要负责高压连接器、高压线束、高压充配电系统、精密模具等产品的研发、生产和销售，其产品广泛服务于新能源汽车、轨道交通、军工、电子、电器、通讯、医疗器械等。

2023年10月，文依电气正式收购了嘉兴云驰智能科技有限公司，并更名为文依智能科技(浙江)有限公司。文依智能是一家专业生产新能源电动汽车电力电子系统和配套件的高新技术企业，产品已覆盖低速车、特种车、房车、商用车、乘用车、客车等新能源汽车并为客户提供专业的定制化服务。公司多年来与同济大学、哈工大、中国机械院等高校和科研机构紧密合作。为新能源汽车、航空及工业领域的发展提供坚实的技术支撑。

上海文依电气股份有限公司旨在创造卓越品牌，打造百年企业。文依电气愿与您携手共创完美的电气连接与保护系统。



公司成立于1999年



产品种类超14000种



发明专利7项，实用新型专利110项
软件著作权23项



合作客户超5000家



拥有高素质的专业团队400余人



Shanghai Weyer Electric Co., Ltd. was established in 1999 with a registered capital of 55.76945 million Yuan. We are mainly engaged in the R&D, production and sales of products used in cable protection and connection system, such as cable glands, plastic tubing and fittings, drag chains, plug-in connectors, etc., which are widely used in rail transit, automobile, electrical machinery, new energy vehicles and other fields.

Our main products have passed CE, ROHS, REACH certificates and obtained EN45545, UL/CUL, ATEX/IECEx and DNV.GL certifications. We have been certified Quality Management System according to ISO9001:2015, IATF16949:2016 and EC80079-34.

In 2015, we built a second modern factory, Weyer Precision Technology (Shanghai) Co., Ltd., focusing on precision die design and manufacturing, production and sales of automotive parts. In October 2023, we acquired Jiaxing Yunchi intelligent Technology Co, Ltd., a high-tech enterprise specializing in the production of power electronic systems and accessories for new energy electric vehicles.

We are willing to create a perfect electrical connection and protection system with you.

COMPANY PROFILE

公司简介 Company Profile	01~08
产品简介 Product Introduction	09~11
塑料软管和快速接头系列 Plastic Tubing and Quick-screw Connectors Series	12
软管与接头及安装拆卸操作规范 Tubing and Connector Installation and Disassembly Operation Standards	13~15
WY 软管系列 Tubing series	16~24
WYK 软管系列 Tubing series	24~28
受电弓绝缘软管 Pantograph insulating tubing	29
KS 缠绕管 Polyethylene Spiral Wrap Tubing 新品/NEW	30
HG-PA 编织管系列 Braiding Tubing Series	30~31
WQG 快速软管接头系列 Quick Screw Connector	32~55
WQF2-M 法兰式环 Flange	56
WQS 固定座 Tubing Clamp	57~58
WQE 软管闷头 End Cap \ WQA 软管保护套 End Cap	59
WQK-PA/WQGR 软管连接件 Plastic Coupling	60~61
WQN 软管保护环 Plastic Coupling	61
WQT/WQY/SVY/SVT 三通 Distributor	62~65
SKM/SKN 紧固夹 Tubing-Clamp	66~67
协作绑带固定夹 Collaborative strap fixing clip	68
WQPT 360° 旋转软管接头 Swivel Connector Coupler	68
WYT-PA 可开式软管 Openable Tubing	69
WYTC 可开式接头 Openable Connector	70
WYTN 可开式螺母 Openable Locknut	71
WY 系列大口径软管 Jumbo Tubing	72
WGFPM 大型软管接头 Jumbo Connector	73
FRP 平面密封环 Flat-sealing/ FRM 管道密封圈 Sealing	74
WYFL 软管切割刀具 Tubing Cutter	74
金属软管及接头系列 Metal Conduits and Connectors	75
JS/JSH/JSG/SLS/SLSH/JSB 金属软管 Metal conduits	76~81
DPJK/DPJKT/DPJ/DPJT 端式接头 End Type Connector	82~83
DPN 内牙式接头 Inner Tooth Connector	84
DPJ1/DPN1 金属软管接头 Metal Conduit Connector	85~86
USPZ 带锁紧金属软管接头 Metal Conduit connector with Strain Relief	87
DWJ/DNJ/DPT/DPY 弯接头、T型、Y型三通接头 Curved Connector T、Y-Distributor	88~89
SPR-AS 金属软管 Metal Conduits	90
WEYERgraff-ASS-φ系列不锈钢金属软管 Metal Conduit With S tainless Steel	91
SPR-PVC-AS 金属包塑软管 Metal Conduit With Sheathing	92
US/USP 金属软管接头 Metal Conduit Connector	93
USW/USWP 直角接头 Elbow Connector	94
电缆防水接头系列 Cable Gland Series	95
HSK 尼龙电缆防水接头 Plastic Cable Gland	97~99
HSK/nxd—多芯尼龙电缆防水接头 HSK/nxd—Multi-Core Nylon waterproof Cable Gland	100~101
HSK-F 防折断尼龙电缆防水接头 Anti-Breakage Nylon Waterproof Cable Gland	102
HSK-V 尼龙电缆防水透气接头 Polyamide Ventilation Cable Glands 新品/NEW	103

WQPOVK 螺纹型防水透气阀 Threaded Waterproof Vent Plug	103
WQPOVM 金属透气阀 Metal Air Vent Plug	104
WRG / WY-TSS 电缆密封环 Rubber Grommet	105~108
HSM 金属电缆防水接头 Metal Waterproof Cable Gland	109~113
HSM/nxd 多芯金属电缆防水接头 Multi-Core Metal Waterproof Cable Gland	114~115
DHSM 双锁紧金属电缆防水接头 Double-Lock Metal Waterproof Cable Gland	116
PKM/MPKM 平口金属电缆防水接头 PKM/MPKM Metal Waterproof Cable Gland	117
MHSM 双锁紧屏蔽电缆防水接头 Double-Lock Shielded Waterproof Cable Gland	118
HSM.D 单芯电缆防水接头 Single-Core Waterproof Cable Gland	119
HSM.DS 系列耐高温金属电缆防水接头 Series of high temperature resistant Waterproof Metal Cable Gland	120~121
HSM.ZX 金属电缆防水接头(锥型密封体) HSM.ZX Metal Waterproof Cable Glands(Cone Seal)	122
HSM-EMV 电磁兼容金属防水接头 EMC Waterproof Cable Gland/M Thread	123~125
HSM.DS(.ZX) 金属屏蔽电缆防水接头 Metal Waterproof Shield Cable Gland	126
WQC014 快插式屏蔽接头 WQC014 Quick-insert shielding connector 新品/NEW	127
WQC015 快装式屏蔽接头 WQC015 Quick-insert shielding connector 新品/NEW	127
HSM.ZX 金属屏蔽电缆防水接头 Metal Shielded Waterproof Cable Gland	128
HSMW 直角金属电缆防水接头 90°Elbow Metal Waterproof Cable Gland	129
HSM-F 系列-防折断金属电缆防水接头 HSM-F Series Anti-breaking Metal Cable Glands	130
HSM-KZ 金属铠装电缆接头 Series of Anti-Breakage Metal Waterproof Cable Gland	130
HSK-EX 防爆尼龙电缆防水接头 EX Plastic Cable Gland	131~133
HSM-EX 防爆金属电缆防水接头 EX Metal Cable Gland	134~137
HSM-EX1...4 隔爆型金属电缆防水接头 Exd Flame Proof Metal Cable Gland	138~141
DPK/DPM 闷盖系列 Plug Series	142~145
DPK-EX/DPM-EX 防爆闷盖系列 Explosion-proof Plug Series	146~151
DPM-Exd 隔爆闷盖系列 Explosion-proof Plug Series	151
REK 尼龙减缩环 Polyamide Reducer	152
GMK 尼龙螺母 Polyamide Lock Nut	159~160
GM 金属螺母 Metal Lock Nut \ GME-M 齿状金属螺母 EMC Lock nut	161~162
HP/SB 扣式闷盖、护线套 Hole Plug Snap Bushing	163
O-ring 密封件 Sealing	164
扳手工具 Wrench Tool	168~169
技术参数 Technical Data	170~173
拖链系列 Cable chain series	174
防静电拖链 Anti-static cable chain 新品/NEW	176
WEYER术语按字母顺序 Terminology Alphabetically	177
拖链的技术参数及选型 Cable Chain Technical Data and selection	178~190
静音拖链系列 Mute Cable Chain	191~194
不封闭 微型10、18、25、26、35、45、60、80 系列 Non-closed Cable Chain	195~210
全封闭26C、35C、45C、60C系列 Fully-closed Cable Chain	211~216
无尘拖链 Clean Room Cable Chains 新品/NEW	217~236
资质证书 Qualification Certification	237
文依产品应用举例 Applications	238

MEMORABILIA OF THE COMPANY

公司大事记

27

YEARS

27年风雨兼程
我们砥砺前行

1999

文依公司成立
The company was founded

2001

通过CE认证
Passed CE certification

2012

全新自动化工厂启用
上海市守合同重信用企业
The new automated factory was launched, and awarded as a contract-honoring and trustworthy enterprise in Shanghai.

2013

SAP系统上线
进入系统管理新时代
SAP System was introduced, the company entered a new era of system management

2017

上海市文明单位
通过ATEX & IECE x 认证
Shanghai Civilization Unit
Passed ATEX & IECEx certification

2018

DNV.GL 船级社认证
2018年文依精密投入使用
DNV.GL Classification Society Certification
Weyer Precision was put into operation



2003

通过ISO9001质量管理体系认证

Got ISO9001 Quality Management System Authentication

2005

乔迁至航头大麦湾工业园区

Relocated to Hangtoun Damaiwan industrial zone

2007

通过铁路认证
通过UL、CE认证

Passed railway EN45545 certification
Pass UL, CE authentication

2014

上海市高新技术企业
Shanghai High-tech enterprise

2015

通过 IATF 16949体系认证
“上海市科技小巨人企业”

IATF 16949 system certification
Won the title of "Little Giant Enterprise of Technology" in Shanghai

2016

上海市浦东新区研发机构
文依精密科技(上海)有限公司
工厂开建

Weyer Precision Technology (Shanghai) Co., Ltd. was under construction

2019

进军新能源行业
连接器业务开展
Enter the new energy industry
Connector business development

2023

文依电气新三板正式挂牌
文依电气收购文依智能
New Third Board officially listed
Formal takeover Jiaying
Yunchi intelligent Technology Co.,Ltd.

2024

上海品牌认证
Shanghai Brand certification

2025

IPO备案
IPO filing



CERTIFICATE HONOURS

企业荣誉

文依电气贯彻落实规范化、标准化、精细化的管理方针，多年以来被评为上海市“文明单位”、“上海市科技小巨人企业”、“上海市高新技术企业”、“上海市浦东新区研发机构”、上海市“专精特新”企业、“上海市质量标杆”企业、浦东新区“平安单位”、“上海品牌”认证、浦东新区消防安全先进集体及浦东新区航头镇“明星企业”等荣誉称号。



PROFESSIONAL Testing Equipment 专业的实验设备

公司通过严格的产品性能测试,确保公司产品的
高质量和高性能

The company guarantees products with high quality and good performance through strict testing process

>> 软管性能测试方法 Tubing Performance Testing Methods



2.5次元
2.5 Dimension

自动转塔数显显微硬度计
Micro hardness tester with automatic turret digital display

高低温测试仪
High and low temperature tester

数显洛氏硬度计
Rockwell hardness tester with digital display



箱式冲水试验装置+高压喷淋试验机
Box-type Flush Test Equipment and High-pressure Spray Test Equipment

坐标测量机
Coordinate Measuring Machine

测高仪
Altimeter

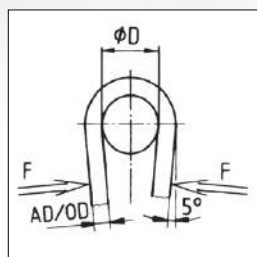


老化测试仪
UV/Aging tester

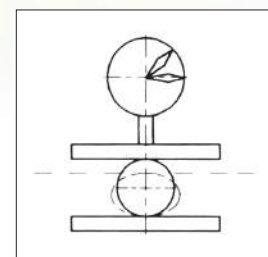
盐雾测试仪
Spray-salt testing equipment

水分测试仪
Moisture tester

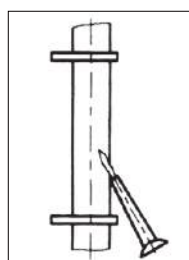
电热恒温鼓风干燥箱
Thermostatic electric air drying box



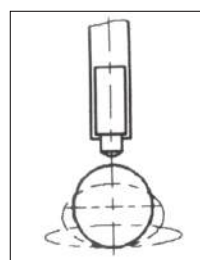
低温弯曲测试符合文依企业标准
Cold bending test Complies with Weyer standard



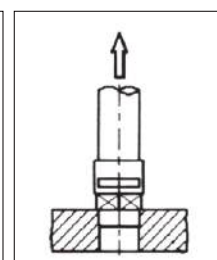
压力符合文依企业标准
Pressure test Complies with Weyer standard



自熄性能测试符合
EN61386标准
Self-extinguishment test Complies with EN61386 test



撞击测试符合
EN61386标准
Impact test Complies with EN61386



抗拉强度测试仪符合
EN61386标准
Tensile strength test Complies with EN61386

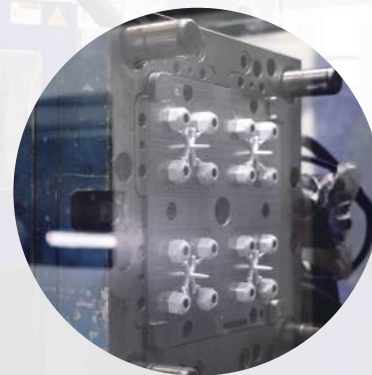


防护性能测试
IEC60529
IP test

TECHNOLOGY LEADS INNOVATION

Speciality Makes Quality

技术引领创新, 专业铸就品质



研发规模 Research and Development

公司自成立至今,近三年平均投入研发经费约占销售收入4.87%。公司从设备、人员、技术等方面全面提升研发实力,不断追求创新,以期开发出更多满足国内外客户需求的产品,及提供最高尖精的技术服务。公司现有研发技术人员65人,本科以上学历占比30%。公司现拥有110余项专利技术,另发明7项。

Since the establishment of the company, the average investment in R&D in the past three years has accounted for about Income 4.87%. The company has comprehensively improved its R&D capabilities in terms of equipment, personnel, and technology strength, constant pursuit of innovation, in order to develop more products to meet the needs of domestic and foreign customers, and provide the most sophisticated technical services. The company currently has 65 R&D technicians, about 30% of whom have a bachelor degree or above. The company now has 110 items patented technology and seven invention.

注塑成型机
Injection molding machine

集中供料系统
Centralized feeding system



挤出成型机 Extrusion moulding machine



CNC加工中心 CNC Processing Centre



全自动加工 Automatic processing

EFFICIENT DESIGN AND R&D CAPABILITIES

高效设计与研发能力



快速交货系统 Quick Delivery System



超过 50 万米的软管仓储
More than 500000m of conduits on stock



各种螺纹规格的接头仓储
Different kinds of screw connectors on stock



公司在上海总部设有大型仓库, 使用SAP系统, 可随时随地快速处理订单, 同时以最快的速度将库存信息和发货信息反馈给客户。

The company has a large warehouse in Shanghai headquarters, using SAP system, orders can be processed anytime and anywhere quickly, while the inventory information and delivery information back to customers at the fastest speed.

公司各类产品通过了如下各种认证

The company's various products have passed the following certifications



EN45545

Product classification

产品分类

1. 塑料软管及接头系列 Plastic Tubings and Quick-screw Connectors Series



软管接头
Tubing Connectors



软管接头
Tubing Connectors



软管接头
Tubing Connectors



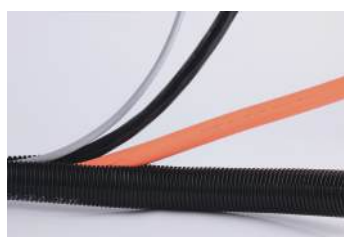
软管接头及配件
Tubing Connectors and Accessories



普通波纹管
Normal Wave



可开式软管
Openable Tubing



剖开软管
Slit Tubing



受电弓绝缘软管
Pantograph insulating tubing



编织管
Braiding Tubing



自卷式纺织编织管
Self-winding Textile Braided Pipe



魔术贴屏蔽套管
Velcro shielding sleeve



金属编织管
Wire Braiding



可开式软管接头及配件
Openable Tubing Connectors
and Accessories



特大软管接头及配件
Jumbo Tubing Connectors
and Accessories



特大软管接头
Jumbo Tubing Connectors



特大软管接头
Jumbo Tubing Connectors

2. 金属软管及接头系列 Metal Conduits and Connectors



P3型 金属包塑软管
P3 Metal Conduit with sheathing



P3型 金属软管
Metal Conduit



金属接头
Metal Connector



SPR-AS金属软管
SPR-AS Metal Conduit



T型三通接头 Metal T-distributor
Y型三通接头 Metal Y-distributor



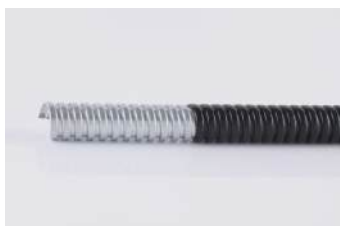
增强管
Enhanced Conduit



平包软管
Metal Conduit With Smooth Sheathing



WEYERgraff 金属软管
Metal Conduit



SPR-PVC 金属包塑软管
with sheathing
SPR-PVC Metal Conduit
with sheathing



SPR-PU 金属包塑软管
with sheathing
SPR-PU Metal Conduit
with sheathing



WEYERgraff-PU 金属包塑软管
Metal Conduit With PU Sheathing

3. 电缆防水接头系列 Cable Gland Series



尼龙电缆接头、透气阀
Plastic Cable Gland,
Waterproof Air Vent Plug



金属电缆接头
Metal Cable Gland

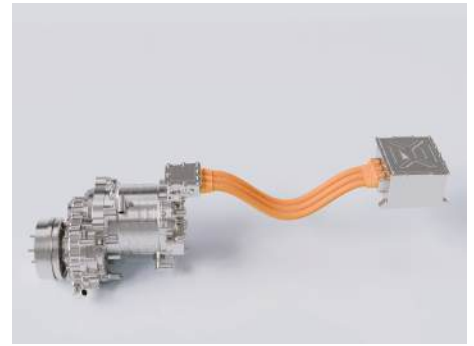


防爆/隔爆电缆接头
EXe / EXd Cable Gland



金属屏蔽电缆防水接头
Metal Shield Cable Gland

4. 电机电控连接保护方案 Motor and Electronic Control - Connection & Protection Solution



5. 拖链系列 Cable Chain Series



防静电拖链系列
Anti-static Cable Chain Series



无尘拖链系列
Clean Room Cable Chain Series



静音拖链系列
Silent Cable Chain Series



不封闭系列
Non-Closed Series



全封闭系列
Fully-Closed Series

6. 其他产品 Other products



部分非标产品
Part Of The Non-Standard Products



附件
Accessories



附件
Accessories

可提供更多的非标产品 More non-standard products are available

WEYER

电气连接与保护系统

塑料软管和快速接头系列

Plastic Tubing and Quick-screw
Connectors Series



软管和快速接头系统 Tubing and Quick-screw Connector System

快速软管接头系统无需工具,方便安装、拆卸,极大地减少了安装、拆卸时间。

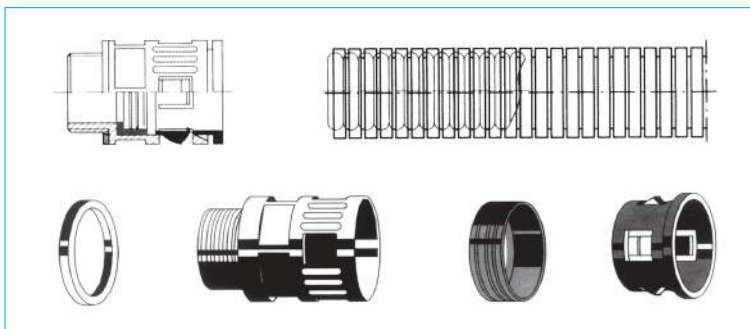
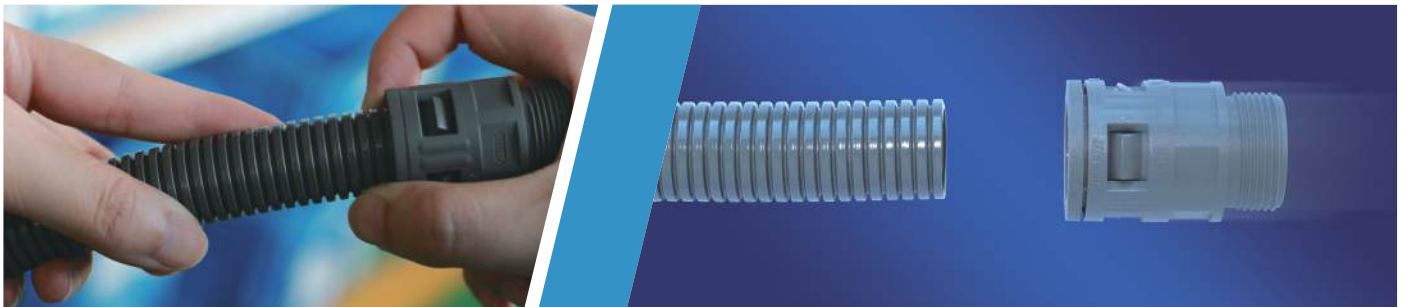
No additional tools; Easy to install and uninstall; Extremely save time.

简便·快速·可靠·安全

只需稍用力将软管插入接头就可以完成接头的连接安装,插入后再次用力,就能完成软管的紧固并能达到一定的防护等级。

Simple, Quick, Reliable, Safe

Push the tubing into the connector and its assembly is done. After insertion, apply force again to complete the fastening of the tubing and reach a certain protection degree.



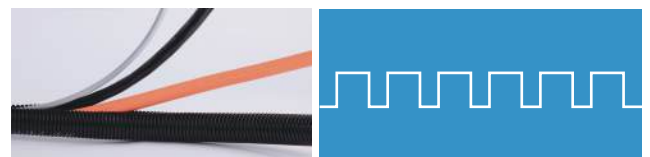
密封垫片 flat-sealing 接头体 screw connector body 密封衬套 Sealing bushing 内锁扣 snap-in sleeve

软管、软管接头示意图

Delineation of tubing and connector

IP68软管接头结构示意图

Delineation of connector structure (IP68)



剖开软管 Slit Tubing

普通波纹 Normal Wave

软管和接头的选择方法

- 根据使用场合,如温度、耐腐蚀能力、阻燃等级、柔韧性等要求选择不同材质的软管。
- 按照软管内部需要安装的线束外径大小确定具体的软管尺寸,建议10%的富余空间,剖开式软管建议25%的富余空间。
- 选择合适的软管接头,按螺纹标准、防护等级、使用场合等确定。
- 特殊情况建议咨询专业技术人员。

Selection Methods of tubing and connector

- Choose tubings of different materials according to the application, such as temperature, corrosion resistance, flame retardant grade, flexibility and other requirements.
- Determine the specific tubing size according to the outer diameter of the harness to be installed inside the hose suggest 10% spare space, split tubing recommended 25% surplus space.
- Choose the suitable connector according to thread standard, protection degree, applications etc.
- Consult professional technicians for special situations.

安装准备:

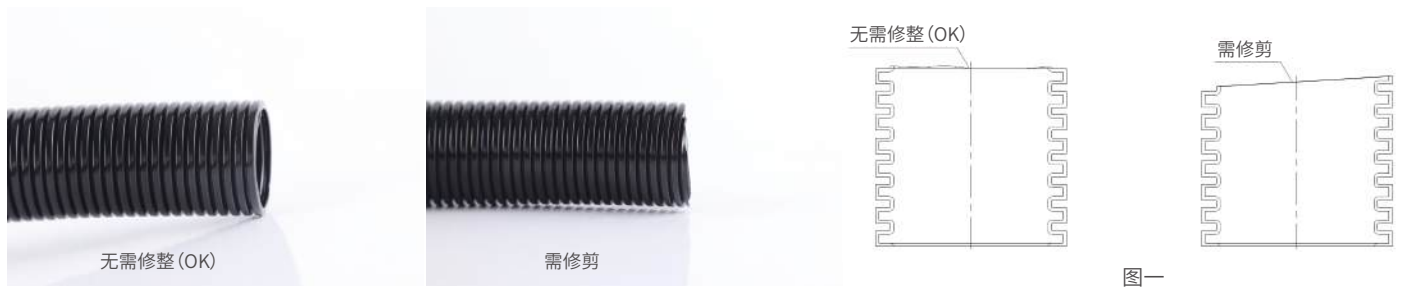
- 工具: 软管切割刀具 (或者其他刀具等)
- 产品: 软管接头、软管

Installation preparation:

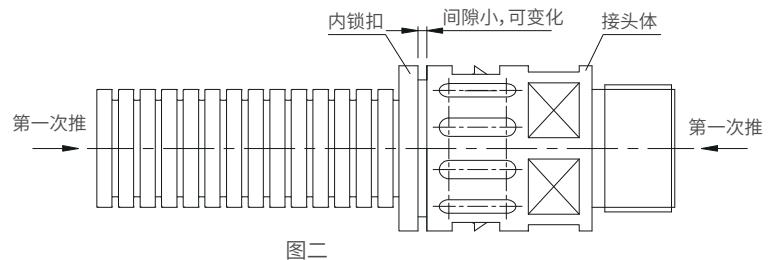
- Tools: Tubing cutting tools (or other tools, etc.)
- Products: Tubing connectors, tubings

安装步骤 Installation steps

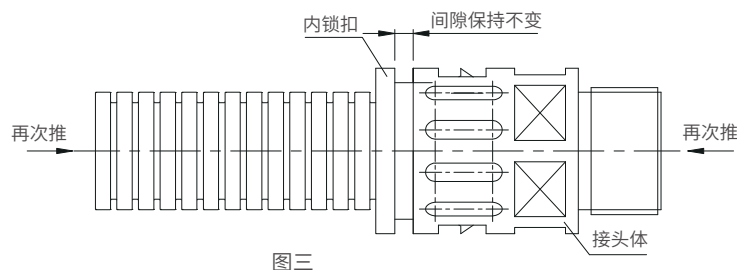
- (1) 软管的切割: 用软管切割刀具 (或者其他刀具等) 将软管依照需要的长度尺寸切割, 保证切开口面在软管同一节距的凹槽内, 且与软管凸出部分的端面基本平整, 也不能出现缺料现象; 反之, 需修整。如图一。
- Tubing cutting: Use tubing cutter (or other cutters, etc.) to cut the tubing according to the required length size, ensure that the cut surface is in the groove of the same pitch of the tubing, and that the end surface of the protruding part of the tubing is basically flat, and there is no material breakage. Otherwise, it needs to be repaired. As shown in figure 1.



- (2) 将软管插进对应的软管接头, 只要稍用力, 就可以完成接头和软管的连接安装。此时软管向接头方向稍用力移动时, 内锁扣与接头体的间隙有明显变小, 方向拉开时, 间隙明显变大; 如果将软管在接头体内旋转时, 可轻松旋转软管。此时软管与接头未安装到位, 达不到防护等级的要求如图二。
- Insert the tubing into the corresponding tubing connector, and only need a little force to complete the connection and installation of the connector and the tubing. At this time, when the tubing moves slightly towards the connector, the gap between the inner lock and the connector body will be significantly smaller. When the direction is pulled apart, the gap is obviously larger; if the tubing is rotated in the connector body, the tubing can be easily rotated. At this time, the tubing and connector are not installed in place, and the protection degree is not met, as shown in figure 2.

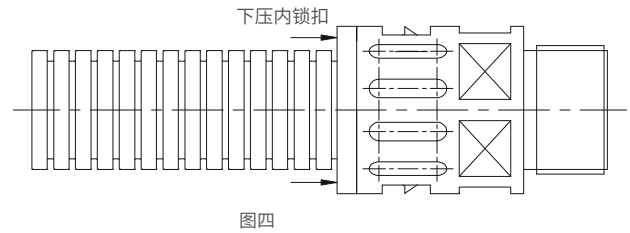


- (3) 再次用力将软管向接头内推进, 内锁扣明显向软管方向弹出, 用力将软管向接头方向挤压时, 内锁扣与接头体之间的间隙基本不变; 如果将软管在接头体内旋转时, 明显有阻力。这是间隙h约为3~4毫米。这就能完成了软管的紧固, 并能达到规定的防护等级。如图三。
- Push the tubing into the connector again, and the inner lock is obviously ejected in the direction of the tubing. When the tubing is squeezed to the connector direction, the gap between the inner lock and the connector body is basically the same; When the connector body rotates, there is obvious resistance. This is the gap h is about 3~4 mm. This can complete the fastening of the tubing and achieve the specified protection degree. As shown in figure 3.

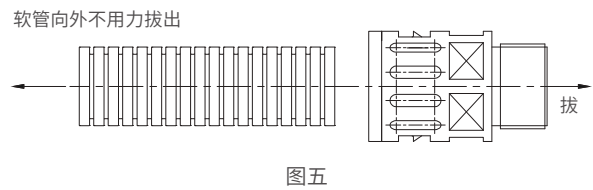


拆卸步骤 Disassembly steps

- (1) 从端面压紧接头上的内锁扣, 是内锁扣与接头体之间的间隙基本为零。如图四。
- Press the inner lock on the connector from the end surface, so that the gap between the inner lock and the connector body is basically zero. Such as figure 4.



- (2) 稍用力将软管从接头内拔出, 完成接头和软管的拆卸。如图五。
- Pull the tubing out of the connector with a little force to complete the disassembly of the connector and tubing. As shown in figure 5.



WY-PE 聚乙烯软管 Polyethylene Tubing

- 材料: 聚乙烯PE
- 防护等级: IP68
- 颜色: 深灰色(RAL 7037), 黑色(RAL 9005), 橙色(RAL 2009)
- 温度: -50°C~80°C短时达到100°C
- 阻燃等级: HB(UL94), 根据FMVSS 302要求, 燃烧速度 <100mm/min
- 特性: 耐油, 柔软, 低硬度, 表面光泽, 不含卤素、磷、镉, 通过RoHS测试
- 应用场合: 机器制造、电力设备, 电气控制柜

- Material: Polyethylene PE
- IP degree: IP68
- Color: Dark grey(RAL 7037), black(RAL 9005), orange(RAL 2009)
- Temperature range: Min-50°C, Max80°C, Short-term 100°C
- Flame-retardant: HB (UL94), according to FMVSS 302: <100mm/min
- Properties: Oil resistant, flexible, low rigidity, glossy surface, free of halogen, phosphor and cadmium, passed RoHS
- Applications: Machine building, electric equipment, electric control cabinet

★ 订货编号: #=B(黑色), G(深灰色), OG(橙色)

Order number: #=B(Black), G(Dark grey), OG(Orange)

可做可剖开软管, 型号为: WY-PE/S-ADXX #

Note: Slit tubing is available, type: WY-PE/S-ADXX #



规格型号 Article No.	内径×外径 ID×OD mm×mm	静态弯 曲半径 Stat.r (mm)	动态/低温 弯曲半径 Dyn.r (mm)	重量 Weight (kg/m±10%)	包装 (米/卷) Packet m/roll
WY-PE-AD8.0 #	5.7×8.1	12	30	0.008	200
WY-PE-AD10.0 #	6.5×10.0	15	35	0.014	100
WY-PE-AD13.0 #	9.5×13.0	20	45	0.023	100
WY-PE-AD15.8 #	12×15.8	25	55	0.032	100
WY-PE-AD18.5 #	14.3×18.5	35	65	0.036	50
WY-PE-AD21.2 #	17×21.2	40	75	0.048	50
WY-PE-AD25.5 #	21×25.5	42	85	0.056	50
WY-PE-AD28.5 #	23×28.5	45	100	0.066	50
WY-PE-AD31.5 #	26×31.5	50	110	0.083	25
WY-PE-AD34.5 #	29×34.5	55	120	0.090	25
WY-PE-AD42.5 #	36×42.5	65	150	0.136	25
WY-PE-AD54.5 #	48×54.5	80	190	0.175	25

WY-FPE 阻燃聚乙烯软管 Flame Retardant Polyethylene Tubing

- 材料: 聚乙烯PE
- 防护等级: IP68
- 颜色: 深灰色(RAL 7037), 黑色(RAL 9005), 橙色(RAL 2009)
- 温度: -50°C~100°C短时达到125°C
- 阻燃等级: V0(UL94), 根据FMVSS 302要求, 自熄, B级
- 特性: 耐油, 柔软, 低硬度, 表面光泽, 不含卤素、磷、镉, 通过RoHS测试
- 应用场合: 机器制造、电力设备, 电气控制柜, 汽车线束

- Material: Polyethylene PE
- IP degree: IP68
- Color: Dark grey (RAL 7037), black (RAL 9005), orange (RAL 2009)
- Temperature range: Min-50°C, max100°C short-term 125°C
- Flame-retardant: V0(UL94), according to FMVSS 302: self-extinguishing, type B
- Properties: Oil resistant, flexible, low rigidity, glossy surface, free of halogen, phosphor and cadmium, passed RoHS
- Applications: Machine building, electric equipment, electric control cabinet, car wire harness

★ 订货编号: #=B(黑色), G(深灰色), OG(橙色)

Order number: #=B(Black), G(Dark grey), OG(Orange)

可做可剖开软管, 型号为: WY-FPE/S-ADXX #

Note: Slit tubing is available, type: WY-FPE/S-ADXX #



规格型号 Article No.	内径×外径 ID×OD mm×mm	静态弯 曲半径 Stat.r (mm)	动态/低温 弯曲半径 Dyn.r (mm)	重量 Weight (kg/m±10%)	包装 (米/卷) Packet m/roll
WY-FPE-AD8.0 #	5.7×8.1	12	30	0.008	200
WY-FPE-AD10.0 #	6.5×10.0	15	35	0.014	100
WY-FPE-AD13.0 #	9.5×13.0	20	45	0.023	100
WY-FPE-AD15.8 #	12×15.8	25	55	0.032	100
WY-FPE-AD18.5 #	14.3×18.5	35	65	0.036	50
WY-FPE-AD21.2 #	17×21.2	40	75	0.048	50
WY-FPE-AD25.5 #	21×25.5	42	85	0.056	50
WY-FPE-AD28.5 #	23×28.5	45	100	0.066	50
WY-FPE-AD31.5 #	26×31.5	50	110	0.083	25
WY-FPE-AD34.5 #	29×34.5	55	120	0.090	25
WY-FPE-AD42.5 #	36×42.5	65	150	0.136	25
WY-FPE-AD54.5 #	48×54.5	80	190	0.175	25

WY-PP 聚丙烯软管 Polypropylene Tubing

- 材料: 聚丙烯PP
- 防护等级: IP68
- 颜色: 深灰色(RAL 7037),黑色(RAL 9005),橙色(RAL 2009)
- 温度: -40°C~110°C短时达到120°C
- 阻燃等级: HB(UL94),根据FMVSS 302要求,燃烧速度<100mm/min
- 特性: 耐油,耐酸碱,好的化学耐腐蚀能力,好的机械强度,柔软性欠缺,表面无光泽,不含卤素、磷、镉,通过RoHS测试
- 应用场合: 机器制造、化工设备

- Material: Polypropylene PP
- IP degree: IP68
- Color: Dark grey (RAL 7037), black (RAL 9005), orange (RAL 2009)
- Temperature range: Min-40°C, max110°C, short-term 120°C
- Flame-retardant: HB (UL94), according to FMVSS 302: <100mm/min
- Properties: Oil resistant, excellent chemical resistance to acids, alkalis and corrosion, high mechanical strength, lack of flexibility, dim surface, free of halogen, phosphorus and cadmium, passed RoHS
- Applications: Machine building, chemical equipment

★ 订货编号: #=B(黑色), G(深灰色), OG(橙色)

Order number: #=B(Black), G(Dark grey), OG(Orange)

可做可剖开软管,型号为: WY-PP/S-ADXX #

Note: Slit tubing is available, type: WY-PP/S-ADXX #



规格型号 Article No.	内径×外径 ID×OD mm×mm	静态弯曲半径 Stat.r (mm)	动态/低温弯曲半径 Dyn.r (mm)	重量 Weight (kg/m±10%)	包装 (米/卷) Packet m/roll
WY-PP-AD8.0 #	5.7×8.1	12	30	0.008	200
WY-PP-AD10.0 #	6.5×10.0	15	35	0.014	100
WY-PP-AD13.0 #	9.5×13.0	20	45	0.023	100
WY-PP-AD15.8 #	12×15.8	25	55	0.032	100
WY-PP-AD18.5 #	14.3×18.5	35	65	0.036	50
WY-PP-AD21.2 #	17×21.2	40	75	0.047	50
WY-PP-AD25.5 #	21×25.5	42	85	0.055	50
WY-PP-AD28.5 #	23×28.5	45	100	0.065	50
WY-PP-AD31.5 #	26×31.5	50	110	0.082	25
WY-PP-AD34.5 #	29×34.5	55	120	0.089	25
WY-PP-AD42.5 #	36×42.5	65	150	0.134	25
WY-PP-AD54.5 #	48×54.5	80	190	0.173	25

WY-FPP 阻燃聚丙烯软管 Flame Retardant Polypropylene Tubing

- 材料: 聚丙烯PP
- 防护等级: IP68
- 颜色: 深灰色(RAL 7037),黑色(RAL 9005),橙色(RAL 2009)
- 温度: -40°C~125°C短时达到150°C
- 阻燃等级: V0(UL94)、V0(GB/T2408),根据FMVSS 302要求,自熄,A级
- 应用场合: 机器制造、化工设备、汽车线束
- 特性: 耐油、耐酸碱,好的耐化学腐蚀能力,低强度,柔软欠缺,表面无光泽,通过RoHS测试,通过QC/T29106热老化3000h,热时效240h

- Material: Polypropylene PP
- IP degree: IP68
- Color: Dark grey (RAL 7037), black (RAL 9005), orange (RAL 2009)
- Temperature range: Min-40°C, max125°C, short-term 150°C
- Flame-retardant: V0(UL94), self-extinguishing, A level, according to FMVSS 302 requirements, according to GB/T2408 standard, flame retardant to V0 level
- Properties: Oil-resistant, acid-base resistant, excellent chemical corrosion resistance, low strength, lack of softness, tarnished surface, passed RoHS passed aging test
- Applications: Machine building, chemical equipment, Car wire harness

★ 订货编号: #=B(黑色), G(深灰色), OG(橙色)

Order number: #=B(Black), G(Dark grey), OG(Orange)

可做可剖开软管,型号为: WY-FPP/S-ADXX #

Note: Slit tubing is available, type: WY-FPP/S-ADXX #



规格型号 Article No.	内径×外径 ID×OD mm×mm	静态弯曲半径 Stat.r (mm)	动态/低温弯曲半径 Dyn.r (mm)	重量 Weight (kg/m±10%)	包装 (米/卷) Packet m/roll
WY-FPP-AD8.0 #	5.7×8.1	12	30	0.008	200
WY-FPP-AD10.0 #	6.5×10.0	15	35	0.014	100
WY-FPP-AD13.0 #	9.5×13.0	20	45	0.023	100
WY-FPP-AD15.8 #	12×15.8	25	55	0.032	100
WY-FPP-AD18.5 #	14.3×18.5	35	65	0.036	50
WY-FPP-AD21.2 #	17×21.2	40	75	0.047	50
WY-FPP-AD25.5 #	21×25.5	42	85	0.055	50
WY-FPP-AD28.5 #	23×28.5	45	100	0.065	50
WY-FPP-AD31.5 #	26×31.5	50	110	0.082	25
WY-FPP-AD34.5 #	29×34.5	55	120	0.089	25
WY-FPP-AD42.5 #	36×42.5	65	150	0.134	25
WY-FPP-AD54.5 #	48×54.5	80	190	0.173	25

WY-FPP-C 汽车线束用PP软管 Polypropylene Tubing Exclusive for Automotive Wiring Harnesses

- 材料: 聚丙烯PP ● 防护等级: IP68
- 颜色: 深灰色(RAL 7037),黑色(RAL 9005),橙色(RAL 2009)
- 温度:-40°C~125°C,短时达到150°C
- 阻燃等级: V0(UL94),根据FMVSS 302要求,自熄,A级
- 特性: 好的耐化学腐蚀能力,低强度,柔软性欠缺,性价比高,经济性极佳。表面无光泽,通过RoHS测试,通过QC/T29106热老化3000h,热时效240h
- 应用场合: 适合于汽车线束、电梯及需要快速穿线的场合

- Material: Polypropylene PP ● IP degree: IP68
- Color: Dark grey (RAL 7037), black (RAL 9005), orange (RAL 2009)
- Temperature range: Min-40°C, max125°C,short-term150°C
- Flame-retardant: V0(UL94), self-extinguishing, A level, according to FMVSS 302 requirements
- Characteristics: Good chemical corrosion resistance,low strength, lack of flexibility, high cost performance, dim surface, passed RoHS, passed aging test
- Applications: It is suitable for car wire harness, elevator industry and situation that need to be quickly threaded

★ 订货编号: #=B(黑色),G(深灰色),OG(橙色)

Order number: #=B(Black),G(Dark grey),OG(Orange)

可做可剖开软管,型号为: WY-FPP/S-C-ADXX #

Note: Slit tubing is available, type: WY-FPP/S-C-ADXX #



规格型号 Article No.	内径×外径 ID×OD mm×mm	静态弯曲半径 Stat.r (mm)	动态/低温 弯曲半径 Dyn.r (mm)	包装(米/卷) Packet (m/roll)
WY-FPP-C-AD8.0 #	5.9×8.1	12	30	200
WY-FPP-C-AD10.0 #	6.7×10.0	15	35	100
WY-FPP-C-AD13.0 #	9.7×13.0	20	45	100
WY-FPP-C-AD15.8 #	12.2×15.8	25	55	100
WY-FPP-C-AD18.5 #	14.5×18.5	35	65	50
WY-FPP-C-AD21.2 #	17.3×21.2	40	75	50
WY-FPP-C-AD23.5 #	19.8×23.5	40	75	50
WY-FPP-C-AD25.5 #	21.3×25.5	42	85	50
WY-FPP-C-AD28.5 #	23.3×28.5	45	100	50
WY-FPP-C-AD31.5 #	26.2×31.5	50	110	25
WY-FPP-C-AD34.5 #	29.3×34.5	55	120	25
WY-FPP-C-AD42.5 #	36.3×42.5	65	150	25
WY-FPP-C-AD54.5 #	48.3×54.5	80	190	25

WY-PA6 尼龙软管 Polyamide Tubing

- 材料: 尼龙6 ● 防护等级: IP68
- 颜色: 深灰色(RAL 7037),黑色(RAL9005),橙色(RAL 2009)
- 温度:-40°C~105°C短时达到125°C
- 阻燃等级: HB(UL94),根据FMVSS 302要求,燃烧速度<100mm/min
- 特性: 柔软有韧性,中等壁厚,表面有光泽,抗扭曲,高的机械强度,耐油、碱、弱酸等,耐摩擦,黑色耐紫外线,不含卤素、磷、镉,通过RoHS测试
- 应用场合: 机床,机械制造,电气控制系统等

- Material: Polyamide 6 ● IP degree: IP68
- Color: Dark grey (RAL 7037), black (RAL 9005), orange (RAL 2009)
- Temperature range: Min-40°C, max105°C, short-term125°C
- Flame-retardant: HB (UL94), according to FMVSS 302: <100mm/min
- Properties: Flexible and excellent tenacity, medium wall thickness, glossy Surface, wind resistant, high mechanical strength, resistant to oil, acid and solvents. Anti-friction, black tubings are UV-resistant, free of halogen, phosphorus and cadmium, passed RoHS
- Applications: Machine tool, mechanical building, electric control system etc

★ 订货编号: #=B(黑色),G(深灰色),OG(橙色)

Order number: #=B(Black),G(Dark grey),OG(Orange)

可做可剖开软管,型号为: WY-PA6/S-ADXX #

Note: Slit tubing is available, type: WY-PA6/S-ADXX #



规格型号 Article No.	内径×外径 ID×OD mm×mm	静态弯曲半径 Stat.r (mm)	动态/低温 弯曲半径 Dyn.r (mm)	重量 Weight (kg/m±10%)	包装(米/卷) Packet (m/roll)
WY-PA6-AD8.0 #	5.7×8.1	12	30	0.010	200
WY-PA6-AD10.0 #	6.5×10.0	15	35	0.017	100
WY-PA6-AD13.0 #	9.5×13.0	20	45	0.028	100
WY-PA6-AD15.8 #	12×15.8	25	55	0.039	100
WY-PA6-AD18.5 #	14.3×18.5	35	65	0.044	50
WY-PA6-AD21.2 #	17×21.2	40	75	0.059	50
WY-PA6-AD25.5 #	21×25.5	42	85	0.069	50
WY-PA6-AD28.5 #	23×28.5	45	100	0.081	50
WY-PA6-AD31.5 #	26×31.5	50	110	0.102	25
WY-PA6-AD34.5 #	29×34.5	55	120	0.111	25
WY-PA6-AD42.5 #	36×42.5	65	150	0.168	25
WY-PA6-AD54.5 #	48×54.5	80	190	0.216	25

WY-PA6-C 轻型尼龙软管 Light Polyamide Tubing

- 材料: 尼龙6
- 防护等级: IP68
- 颜色: 黑色(RAL 9005), 橙色(RAL 2009)
- 温度: -40°C~105°C短时达到125°C
- 阻燃等级: HB(UL94),根据FMVSS 302要求, 燃烧速度<100mm/min
- 特性: 耐油、弱酸、碱, 好的耐化学腐蚀能力, 好的机械强度, 性价比极高, 在满足最新汽车行业标准的同时, 经济性极佳。表面有光泽, 通过RoHS测试, 经济型
- 应用场合: 适合于汽车线束, 电梯行业及需要快速穿线的场合

- Material: Polyamide 6
- IP degree: IP68
- Color: Black (RAL 9005), orange (RAL 2009)
- Temperature range: Min-40°C, max105°C, short-term125°C
- Flame-retardant: HB (UL94), according to FMVSS 302: <100mm/min
- Characteristics: Oil resistance, acid and alkali resistance, good chemical corrosion resistance, good mechanical strength, high cost performance, while meeting the latest automotive industry standards, glossy surface, passed RoHS
- Applications: It is suitable for car wire harness, elevator industry and situations that need to be quickly threaded

★ 订货编号: #=B(黑色), OG(橙色)

Order number: #=B(Black), OG(Orange)

可做可剖开软管, 型号为: WY-PA6/S-C-ADXX #

Note: Slit tubing is available, type: WY-PA6/S-C-ADXX #



规格型号 Article No.	内径×外径 ID×OD mm×mm	静态弯曲半径 Stat.r (mm)	动态/低温 弯曲半径 Dyn.r (mm)	包装(米/卷) Packet (m/roll)
WY-PA6-C-AD10.0 #	6.7×10.0	15	35	100
WY-PA6-C-AD13.0 #	9.7×13.0	20	45	100
WY-PA6-C-AD15.8 #	12.2×15.8	25	55	100
WY-PA6-C-AD18.5 #	14.5×18.5	35	65	50
WY-PA6-C-AD21.2 #	17.3×21.2	40	75	50
WY-PA6-C-AD25.5 #	21.3×25.5	42	85	50
WY-PA6-C-AD28.5 #	23.3×28.5	45	100	50
WY-PA6-C-AD31.5 #	26.2×31.5	50	110	25
WY-PA6-C-AD34.5 #	29.3×34.5	55	120	25
WY-PA6-C-AD42.5 #	36.3×42.5	65	150	25
WY-PA6-C-AD54.5 #	48.3×54.5	80	190	25

WY-PA6-D 重型尼龙软管 Heavy-duty Nylon Tubing

- 材料: 尼龙6
- 防护等级: IP68
- 颜色: 深灰色(RAL 7037), 黑色(RAL 9005)
- 温度: -40°C~105°C短时达到125°C
- 阻燃等级: HB(UL94),根据FMVSS 302要求, 燃烧速度<100mm/min
- 特性: 柔软有韧性, 表面有光泽, 抗扭曲, 高机械强度, 耐油、碱、弱酸等, 耐摩擦, 黑色耐紫外线, 不含卤素、磷、镉, 通过RoHS测试
- 应用场合: 机器制造、电气控制系统等

- Material: Polyamide 6
- IP degree: IP68
- Color: Dark grey (RAL 7037), black (RAL 9005)
- Temperature range: Min-40°C, max105°C, short-term125°C
- Flame-retardant: V0(UL94), according to FMVSS 302 requirements; 100mm/min
- Properties: Oil resistant, excellent chemical resistance to acids, alkalis and corrosion, high mechanical strength, lack of flexibility, glossy surface, passed RoHS
- Applications: Machine building, chemical equipment

★ 订货编号: #=B(黑色), G(深灰色)

Order number: #=B(Black), G(Dark grey)

可做可剖开软管, 型号为: WY-PA6-D/S-ADXX #

Note: Slit tubing is available, type: WY-PA6-D/S-ADXX #



规格型号 Article No.	内径×外径 ID×OD mm×mm	静态弯曲半径 Stat.r (mm)	动态/低温 弯曲半径 Dyn.r (mm)	重量 Weight (kg/m±10%)	包装(米/卷) Packet (m/roll)
WY-PA6-D-AD10.0 #	6.2×10.0	15	35	0.023	100
WY-PA6-D-AD13.0 #	9×13.0	20	45	0.038	100
WY-PA6-D-AD15.8 #	11.5×15.8	25	55	0.052	100
WY-PA6-D-AD18.5 #	13.8×18.5	35	65	0.060	50
WY-PA6-D-AD21.2 #	16.5×21.2	40	75	0.080	50
WY-PA6-D-AD25.5 #	20.5×25.5	42	85	0.094	50
WY-PA6-D-AD28.5 #	22.5×28.5	45	100	0.110	50
WY-PA6-D-AD31.5 #	25.5×31.5	50	110	0.138	25
WY-PA6-D-AD34.5 #	28.5×34.5	55	120	0.151	25
WY-PA6-D-AD42.5 #	35.5×42.5	65	150	0.227	25
WY-PA6-D-AD54.5 #	47.5×54.5	80	190	0.291	25

WY-PA6-V2 阻燃尼龙软管 Flame Retardant Nylon Tubing

- 材料: 尼龙6
- 防护等级: IP68
- 颜色: 深灰色(RAL 7037),黑色(RAL 9005), 橙色(RAL 2009)
- 温度: -40°C~115°C短时达到150°C
- 阻燃等级: V2(UL94),根据FMVSS 302要求, 自熄,B级
- 特性: 柔软有韧性, 表面有光泽, 抗扭曲,高机械强度, 耐油、碱、弱酸等, 耐摩擦, 黑色耐紫外线; 自熄灭性好; 中等壁厚, 不含卤素、磷、镉,通过RoHS测试
- 应用场合: 机床, 机械制造, 电气绝缘保护, 地铁电力机车, 空调制冷设备等

- Material: Polyamide 6
- IP degree: IP68
- Color: Dark grey (RAL 7037), black (RAL 9005), orange(RAL 2009)
- Temperature range: Min-40°C,max115°C,short-term150°C
- Flame-retardant: V2 (UL94), according to FMVSS 302: self-extinguishing,type B
- Properties: Flexible and excellent tenacity,glossy surface, wind resistant high mechanical strength, resistant to oil, acid and solvents, anti-friction,black tubings UV-resistant, self-extinguishing, medium wall thickness,free of halogen, phosphor and cadmium, passed RoHS
- Applications:Machine tool, mechanical building, electric insulation protection, underground, electric vehicle and air- conditioner equipment etc

★ 订货编号: #=B(黑色), G(深灰色), OG(橙色)

Order number : #=B(Black) , G (Dark grey) ,OG(Orange)

可做可剖开软管,型号为: WY-PA6-V2/S-ADXX #

Note: Slit tubing is available, type: WY-PA6-V2/S-ADXX #



规格型号 Article No.	内径×外径 ID×OD mm×mm	静态弯 曲半径 Stat.r (mm)	动态/低温 弯曲半径 Dyn.r (mm)	重量 Weight (kg/m±10%)	包装 (米/卷) Packet (m/roll)
WY-PA6-V2-AD8.0 #	5.7×8.1	12	30	0.010	200
WY-PA6-V2-AD10.0 #	6.5×10.0	15	35	0.017	100
WY-PA6-V2-AD13.0 #	9.5×13.0	20	45	0.028	100
WY-PA6-V2-AD15.8 #	12×15.8	25	55	0.039	100
WY-PA6-V2-AD18.5 #	14.3×18.5	35	65	0.044	50
WY-PA6-V2-AD21.2 #	17×21.2	40	75	0.059	50
WY-PA6-V2-AD25.5 #	21×25.5	42	85	0.069	50
WY-PA6-V2-AD28.5 #	23×28.5	45	100	0.081	50
WY-PA6-V2-AD31.5 #	26×31.5	50	110	0.102	25
WY-PA6-V2-AD34.5 #	29×34.5	55	120	0.111	25
WY-PA6-V2-AD42.5 #	36×42.5	65	150	0.168	25
WY-PA6-V2-AD54.5 #	48×54.5	80	190	0.216	25

WY-PA6-V2-D 重型阻燃尼龙软管 Heavy Duty Flame Retardant Nylon Tubing

- 材料: 尼龙6
- 防护等级: IP68
- 颜色: 深灰色(RAL 7037),黑色(RAL 9005)
- 温度: -40°C ~115°C短时达到150°C
- 阻燃等级: V2(UL94),根据FMVSS 302要求, 自熄,B级
- 特性: 柔软有韧性, 表面有光泽, 抗扭曲,高机械强度, 耐油、碱、弱酸等, 耐摩擦, 黑色耐紫外线; 自熄灭性好; 不含卤素、磷、镉, 通过RoHS测试
- 应用场合: 机床, 机械制造, 电气绝缘保护, 地铁电力机车, 空调制冷设备等

- Material: Polyamide 6
- IP degree: IP68
- Color: Dark grey (RAL 7037), black (RAL 9005)
- Temperature range: Min-40°C,max115°C,short-term150°C
- Flame-retardant: V2 (UL94), according to FMVSS 302: self-extinguishing,type B
- Properties: Flexible and excellent tenacity, glossy surface, wind resistant high mechanical strength, resistant to oil, acid and solvents, anti-friction, black tubings UV-resistant, self-extinguishing, medium wall thickness,free of halogen, phosphor and cadmium, passed RoHS
- Applications:Machine tool, mechanical building, electric insulation protection, underground,electric vehicle and air- conditioner equipment etc

★ 订货编号: #=B(黑色), G(深灰色)

Order number : #=B(Black) , G (Dark grey)

可做可剖开软管,型号为: WY-PA6-V2-D/S-ADXX #

Note: Slit tubing is available, type: WY-PA6-V2-D/S-ADXX #



规格型号 Article No.	内径×外径 ID×OD mm×mm	静态弯 曲半径 Stat.r (mm)	动态/低温 弯曲半径 Dyn.r (mm)	重量 Weight (kg/m±10%)	包装 (米/卷) Packet (m/roll)
WY-PA6-V2-D-AD10.0 #	6.2×10.0	15	35	0.023	100
WY-PA6-V2-D-AD13.0 #	9×13.0	20	45	0.038	100
WY-PA6-V2-D-AD15.8 #	11.5×15.8	25	55	0.052	100
WY-PA6-V2-D-AD18.5 #	13.8×18.5	35	65	0.06	50
WY-PA6-V2-D-AD21.2 #	16.5×21.2	40	75	0.08	50
WY-PA6-V2-D-AD25.5 #	20.5×25.5	42	85	0.094	50
WY-PA6-V2-D-AD28.5 #	22.5×28.5	45	100	0.11	50
WY-PA6-V2-D-AD31.5 #	25.5×31.5	50	110	0.138	25
WY-PA6-V2-D-AD34.5 #	28.5×34.5	55	120	0.151	25
WY-PA6-V2-D-AD42.5 #	35.5×42.5	65	150	0.227	25
WY-PA6-V2-D-AD54.5 #	47.5×54.5	80	190	0.291	25

WY-PA6-V0 阻燃尼龙软管 Flame Retardant Nylon Tubing

- 材料: 尼龙6
- 防护等级: IP68
- 颜色: 深灰色(RAL 7037)、黑色(RAL 9005)、橙色(RAL 2009)
- 温度: -40°C~125°C短时可达150°C
- 阻燃等级: V0(UL94)、V0(GB/T2408).根据FMVSS 302要求, 自熄, A级
- 特性: 柔软有韧性, 耐摩擦, 抗扭曲, 高机械强度, 耐油、碱、弱酸等, 自熄灭性非常好, 不含卤素、碱、弱酸等, RoHS, 通过QC/T29106 热老化3000h, 热时效240h
- 应用场合: 机床、机械制造、电气绝缘保护、地铁电力机车、空调制冷设备等

- Material: Polyamide 6
- IP degree: IP68
- Color: Dark grey (RAL 7037), black (RAL 9005), orange (RAL 2009)
- Temperature range: Min -40°C, max 125°C, short-term 150°C
- Flame retardant: V0(UL94), V0(GB/T2408). according to FMVSS 302: self-extinguishing, type A
- Properties: Soft and tough, friction resistant, twist resistant, high mechanical strength, resistance to oil, alkali, weak acid, etc., self-extinguishing is very good, without halogen, alkali, weak acid etc, passed RoHS, passed aging test
- Applications: Machine tool, mechanical building, electric insulation protection, underground, electric vehicle and air-conditioner equipment etc

★ 订货编号: #=B(黑色), G(深灰色), OG(橙色)

Order number: #=B(Black), G(Dark grey), OG(Orange)

可做可剖开软管, 型号为: WY-PA6-V0/S-ADXX #

Note: Slit tubing is available, type: WY-PA6-V0/S-ADXX #



规格型号 Article No.	内径×外径 ID×OD mm×mm	静态弯 曲半径 Stat.r (mm)	动态/低温 弯曲半径 Dyn.r (mm)	重量 Weight (kg/m±10%)	包装 (米/卷) Packet (m/roll)
WY-PA6-V0-AD8.0 #	5.7×8.1	12	30	0.01	200
WY-PA6-V0-AD10.0 #	6.5×10.0	15	35	0.017	100
WY-PA6-V0-AD13.0 #	9.5×13.0	20	45	0.028	100
WY-PA6-V0-AD15.8 #	12×15.8	25	55	0.039	100
WY-PA6-V0-AD18.5 #	14.3×18.5	35	65	0.044	50
WY-PA6-V0-AD21.2 #	17×21.2	40	75	0.059	50
WY-PA6-V0-AD25.5 #	21×25.5	42	85	0.069	50
WY-PA6-V0-AD28.5 #	23×28.5	45	100	0.081	50
WY-PA6-V0-AD31.5 #	26×31.5	50	110	0.102	25
WY-PA6-V0-AD34.5 #	29×34.5	55	120	0.111	25
WY-PA6-V0-AD42.5 #	36×42.5	65	150	0.168	25
WY-PA6-V0-AD54.5 #	48×54.5	80	190	0.216	25

WY-FPA6-C 汽车线束用尼龙软管 Polyamide Tubing Exclusive for Automotive Wiring Harnesses



- 材料: 尼龙6
- 防护等级: IP68
- 颜色: 深灰色(RAL 7037)、黑色(RAL 9005)、橙色(RAL 2009)
- 温度: -40°C~125°C短时可达150°C
- 阻燃等级: V0(UL94)、V0(GB/T2408).根据FMVSS 302要求, 自熄, A级
- 特性: 低强度, 性价比极高, 在满足最新汽车行业标准的同, 经济性好
- 应用场合: 适合于汽车线束, 电梯行业及需要快速穿线的场合

- Material: Polyamide 6
- IP degree: IP68
- Color: Dark grey (RAL 7037), black (RAL 9005), orange (RAL 2009)
- Temperature range: Min -40°C, max 125°C, short-term 150°C
- Flame retardant: V0(UL94), V0(GB/T2408). according to FMVSS 302: self-extinguishing, type A
- Properties: Low strength, high cost performance, while meeting the latest automotive industry standards
- Applications: Suitable for automotive wiring harness, elevator industry and occasions that require fast threading

规格型号 Article No.	内径×外径 ID×OD mm×mm	静态弯 曲半径 Stat.r (mm)	动态/低温 弯曲半径 Dyn.r (mm)	包装 (米/卷) Packet (m/roll)
WY-FPA6-C-AD8.0 #	5.9×8.1	12	30	200
WY-FPA6-C-AD10.0 #	6.7×10.0	15	35	100
WY-FPA6-C-AD13.0 #	9.7×13.0	20	45	100
WY-FPA6-C-AD15.8 #	12.2×15.8	25	55	100
WY-FPA6-C-AD18.5 #	14.5×18.5	35	65	50
WY-FPA6-C-AD21.2 #	17.3×21.2	40	75	50
WY-FPA6-C-AD23.5 #	19.8×23.5	40	75	50
WY-FPA6-C-AD25.5 #	21.3×25.5	42	85	50
WY-FPA6-C-AD28.5 #	23.3×28.5	45	100	50
WY-FPA6-C-AD31.5 #	26.2×31.5	50	110	25
WY-FPA6-C-AD34.5 #	29.3×34.5	55	120	25
WY-FPA6-C-AD42.5 #	36.3×42.5	65	150	25
WY-FPA6-C-AD54.5 #	48.3×54.5	80	190	25

★ 订货编号: #=B(黑色), G(深灰色), OG(橙色)

Order number: #=B(Black), G(Dark grey), OG(Orange)

可做可剖开软管, 型号为: WY-FPA6/S-C-ADXX #

Note: Slit tubing is available, type: WY-FPA6/S-C-ADXX #

WY-PA6-V0-D 重型阻燃尼龙软管 Heavy Duty Flame Retardant Nylon Tubing

- 材料: 尼龙6
- 防护等级: IP68
- 颜色: 深灰色(RAL 7037), 黑色(RAL 9005)
- 温度: -40°C~125°C短时达到150°C
- 阻燃等级: V0(UL94),根据FMVSS 302要求, 自熄,A级
- 特性: 柔软有韧性, 表面有光泽, 耐摩擦, 抗扭曲, 高机械强度碱、弱酸等, 黑色耐紫外线;自熄灭性非常好, 满足高安全性要求;不含卤素、磷、镉。通过RoHS测试,通过日本、法国、德国铁路认证
- 应用场合: 机械制造,电气绝缘保护;地铁,电力机车空调制冷设备等

- Material: Polyamide 6
- IP degree: IP68
- Color: Dark grey (RAL 7037), black (RAL 9005)
- Temperature range: Min-40°C,max125°C,short-term150°C
- Flame-retardant: V0 (UL94), according to FMVSS 302: self-extinguishing,type A
- Properties: Flexible and excellent tenacity,glossy surface, anti-friction,wind resistant,high mechanical strength,resistant to oil, acid and solvents. Black tubings UV-resistant, self-extinguishing, high grade of safety,free of halogen, phosphor and cadmium, medium wall thickness, passed RoHS. We have got railway certificates of Japan, France and Germany.
- Applications:Mechanical building,electric insulation protection, underground, electric vehicle and air-conditioner equipment etc

★ 订货编号: #=B(黑色), G(深灰色)

Order number: #=B(Black), G(Dark grey)

可做可剖开软管,型号为: WY-PA6-V0-D/S-ADXX #

Note: Slit tubing is available, type: WY-PA6-V0-D/S-ADXX #



规格型号 Article No.	内径×外径 ID×OD mm×mm	静态弯 曲半径 Stat.r (mm)	动态/低温 弯曲半径 Dyn.r (mm)	重量 Weight (kg/m±10%)	包装 (米/卷) Packet (m/roll)
WY-PA6-V0-D-AD10.0 #	6.2×10.0	15	35	0.023	100
WY-PA6-V0-D-AD13.0 #	9×13.0	20	45	0.038	100
WY-PA6-V0-D-AD15.8 #	11.5×15.8	25	55	0.052	100
WY-PA6-V0-D-AD18.5 #	13.8×18.5	35	65	0.06	50
WY-PA6-V0-D-AD21.2 #	16.5×21.2	40	75	0.08	50
WY-PA6-V0-D-AD25.5 #	20.5×25.5	42	85	0.094	50
WY-PA6-V0-D-AD28.5 #	22.5×28.5	45	100	0.11	50
WY-PA6-V0-D-AD31.5 #	25.5×31.5	50	110	0.138	25
WY-PA6-V0-D-AD34.5 #	28.5×34.5	55	120	0.151	25
WY-PA6-V0-D-AD42.5 #	35.5×42.5	65	150	0.227	25
WY-PA6-V0-D-AD54.5 #	47.5×54.5	80	190	0.291	25

WY-HTPA 耐高温尼龙软管 High Temperature Resistant Nylon Tubing

- 材料: 耐高温尼龙
- 温度: -40°C~150°C,短时达到170°C
- 颜色: 黑色(RAL 9005) 橙色(RAL 2009)
- 阻燃等级: HB(UL94),根据FMVSS 302要求, 燃烧速度<100mm/min
- 特性: 柔软有韧性, 中等壁厚, 表面有光泽, 抗扭曲, 高的机械强度, 耐油、碱、弱酸等, 耐摩擦, 黑色耐紫外线, 不含卤素、磷、镉, 通过RoHS测试
- 应用场合: 机床, 机械制造, 电气控制系统等

- Material: High temperature resistant Polyamide
- Color: Black (RAL 9005) orange (RAL 2009)
- Temperature range: Min-40°C,max150°C,short-term170°C
- Flame-retardant: HB (UL94), according to FMVSS 302: <100mm/min
- Properties: Flexible and excellent tenacity,medium wall thickness,glossy surface,wind resistant,high mechanical, resistant to oil,acid and solve3nts.anti-friction,black tubings are UV-resistant, free of halogen, phosphor and cadmium, passed RoHS
- Applications: Machine tool, mechanical building, electric control system etc

★ 订货编号: #=B(黑色), OG(橙色)

Order number: #=B(Black), OG(Orange)

可做可剖开软管,型号为: WY-HTPA/S-ADXX #

Note: Slit tubing is available, type: WY-HTPA/S-ADXX #



规格型号 Article No.	内径×外径 ID×OD mm×mm	静态弯 曲半径 Stat.r (mm)	动态/低温 弯曲半径 Dyn.r (mm)	重量 Weight (kg/m±10%)	包装 (米/卷) Packet (m/roll)
WY-HTPA-AD8.0 #	5.7×8.1	12	30	0.010	200
WY-HTPA-AD10.0 #	6.5×10.0	15	35	0.017	100
WY-HTPA-AD13.0 #	9.5×13.0	20	45	0.028	100
WY-HTPA-AD15.8 #	12×15.8	25	55	0.039	100
WY-HTPA-AD18.5 #	14.3×18.5	35	65	0.044	50
WY-HTPA-AD21.2 #	17×21.2	40	75	0.059	50
WY-HTPA-AD25.5 #	21×25.5	42	85	0.069	50
WY-HTPA-AD28.5 #	23×28.5	45	100	0.081	50
WY-HTPA-AD31.5 #	26×31.5	50	110	0.102	25
WY-HTPA-AD34.5 #	29×34.5	55	120	0.111	25
WY-HTPA-AD42.5 #	36×42.5	65	150	0.168	25
WY-HTPA-AD54.5 #	48×54.5	80	190	0.216	25

WY-PA12 尼龙12软管 Polyamide 12 Tubing

- 材料: 尼龙12
- 温度: -50°C~100°C短时达到125°C
- 颜色: 深灰色(RAL 7037),黑色(RAL 9005), 橙色(RAL 2009)
- 阻燃等级: V2(UL94),根据FMVSS 302要求, 自熄, B级
- 特性:柔软有韧性, 优良的耐低温冲击性能, 高的抗弯折性能, 高耐摩擦性, 高机械强度, 耐油、碱、弱酸等, 特别好的耐紫外线能力;自熄灭性好;适合户外安装。
- 应用场合: 机床, 机械制造, 重型设备, 电地铁电力机车, 电力机车制造, 机器人行业等

- Material: Polyamide 12
- Color: Dark grey (RAL 7037), black (RAL 9005), orange (RAL 2009)
- Temperature range: Min-50°C,max100°C,short-term125°C
- Flame-retardant: V2 (UL94), according to FMVSS 302: self-extinguishing, type B
- Properties: Flexible and excellent tenacity, glossy surface, wind resistant, high mechanical strength, resistant to oil, acid and solvents. anti-friction, excellent UV-resistant self-extinguishing, external installation, medium wall thickness free of halogen, phosphorus and cadmium, passed RoHS. We have got railway certificates of Japan, France and Germany.
- Applications: Mechanical building, machine tool heavy equipment, electric factory, underground, electric vehicle building, robot industry etc

- ★ 订货编号: #=B(黑色), G(深灰色), OG(橙色)
 Order number: #=B(Black), G(Dark grey), OG(Orange)
 可做可剖开软管,型号为: WY-PA12/S-ADXX #
 Note: Slit tubing is available, type: WY-PA12/S-ADXX #



规格型号	内径×外径	静态弯曲半径	动态/低温弯曲半径	重量	包装
Article No.	ID×OD mm×mm	Stat.r (mm)	Dyn.r (mm)	Weight (kg/m±10%)	Packet (m/roll)
WY-PA12-AD8.0 #	5.7×8.1	12	30	0.009	200
WY-PA12-AD10.0 #	6.5×10.0	15	35	0.016	100
WY-PA12-AD13.0 #	9.5×13.0	20	45	0.026	100
WY-PA12-AD15.8 #	12×15.8	25	55	0.036	100
WY-PA12-AD18.5 #	14.3×18.5	35	65	0.04	50
WY-PA12-AD21.2 #	17×21.2	40	75	0.054	50
WY-PA12-AD25.5 #	21×25.5	42	85	0.062	50
WY-PA12-AD28.5 #	23×28.5	45	100	0.074	50
WY-PA12-AD31.5 #	26×31.5	50	110	0.093	25
WY-PA12-AD34.5 #	29×34.5	55	120	0.1	25
WY-PA12-AD42.5 #	36×42.5	65	150	0.152	25
WY-PA12-AD54.5 #	48×54.5	80	190	0.195	25

WY-PA12-D 重型尼龙12软管 Heavy-Duty Nylon 12 Tubing

- 材料: 尼龙12
- 颜色: 深灰色(RAL 7037),黑色(RAL 9005)
- 温度:-50°C~100°C短时达到125°C
- 阻燃等级: V2(UL94), 根据FMVSS 302要求, 自熄, B级
- 特性:柔软有韧性, 优良的耐低温冲击性能, 高的抗弯折性能, 高耐摩擦性, 高机械强度, 耐油、碱、弱酸等, 特别好的耐紫外线能力;自熄灭性好;适合户外安装;厚壁, 不含卤素、磷、镉, 通过RoHS测试, 通过日本、法国、德国铁路认证
- 应用场合: 机械制造, 重型设备, 电厂, 地铁, 电力机车制造等

- Material: Polyamide 12
- Color: Dark grey (RAL 7037), black (RAL 9005)
- Temperature range: Min-50°C,max100°C,short-term125°C
- Flame-retardant: V2 (UL94), according to FMVSS 302: self-extinguishing, type B
- Properties: Flexible and excellent tenacity, glossy surface, wind resistant, excellent mechanical strength, resistant to oil, acid and solvents. anti-friction, excellent UV-resistant self-extinguishing, external installation, heavy tubing free of halogen, phosphorus and cadmium, passed RoHS. We have got railway certificates of Japan, France and Germany
- Applications: Mechanical building, heavy equipment, electric factory, underground, electric vehicle building etc

- ★ 订货编号: #=B(黑色), G(深灰色)
 Order number: #=B(Black), G(Dark grey)



规格型号	内径×外径	静态弯曲半径	动态/低温弯曲半径	重量	包装
Article No.	ID×OD mm×mm	Stat.r (mm)	Dyn.r (mm)	Weight (kg/m±10%)	Packet (m/roll)
WY-PA12-D-AD10.0 #	6.2×10.0	15	35	0.021	100
WY-PA12-D-AD13.0 #	9×13.0	20	45	0.035	100
WY-PA12-D-AD15.8 #	11.5×15.8	25	55	0.047	100
WY-PA12-D-AD18.5 #	13.8×18.5	35	65	0.055	50
WY-PA12-D-AD21.2 #	16.5×21.2	40	75	0.073	50
WY-PA12-D-AD25.5 #	20.5×25.5	42	85	0.085	50
WY-PA12-D-AD28.5 #	22.5×28.5	45	100	0.099	50
WY-PA12-D-AD31.5 #	25.5×31.5	50	110	0.125	25
WY-PA12-D-AD34.5 #	28.5×34.5	55	120	0.136	25
WY-PA12-D-AD42.5 #	35.5×42.5	65	150	0.205	25
WY-PA12-D-AD54.5 #	47.5×54.5	80	190	0.263	25

WY-TPE 高柔性TPE软管 High Flexibility TPE Tubing

- 材料:TPE
- 颜色: 深灰色 (RAL 7037) 黑色 (RAL 9005)
- 温度:-40°C~125°C短时达到150°C
- 阻燃等级:V2(UL94),根据FMVSS 302 要求, 自熄B级
- 特性:极其柔软且有韧性, 中等壁厚, 表面有光泽, 高抗扭曲, 一般机械强度, 耐油、碱、弱酸等, 耐摩擦, 黑色耐紫外线, 不含卤素、磷、镉, 通过 RoHS测试
- 应用场合: 机器人、机械手等反复弯曲的场合



- Material: TPE
- Flame-retardant: V2(UL94)
- Color: Dark grey (RAL 7037), black (RAL 9005)
- Temperature range: Min-40°C,max125°C,short-term150°C
- Properties: Extremely soft and tough, medium wall thickness, glossy surface, high resistance to distortion, general mechanical strength, oil resistance, alkali, weak acid resistance, friction resistance, black ultraviolet resistance, no halogen, phosphorus, cadmium, passed RoHS
- Applications: Robots, manipulators and other repeated bending occasions

★ 订货编号: #=B(黑色),G(深灰色)
Order number: #=B(Black),G(Dark grey)

规格型号 Article No.	内径×外径 ID×OD mm×mm	静态弯曲半径 Stat.r (mm)	动态/低温 弯曲半径 Dyn.r (mm)	包装 (米/卷) Packet (m/roll)
WY-TPE-AD10.0 #	6.5×10.0	15	35	100
WY-TPE-AD13.0 #	9.5×13.0	20	45	100
WY-TPE-AD15.8 #	12×15.8	25	55	100
WY-TPE-AD18.5 #	14.3×18.5	35	65	50
WY-TPE-AD21.2 #	17×21.2	40	75	50
WY-TPE-AD25.5 #	21×25.5	42	85	50
WY-TPE-AD28.5 #	23×28.5	50	100	50
WY-TPE-AD34.5 #	29×34.5	55	120	25
WY-TPE-AD42.5 #	36×42.5	65	150	25
WY-TPE-AD54.5 #	48×54.5	80	190	25

WYK-PA6 重载尼龙软管 Heavy-Duty Nylon Tubing

- 材料:尼龙6
- 颜色: 深灰色 (RAL 7037) 黑色 (RAL 9005)
- 温度:-40°C~105°C 短时达到125°C
- 阻燃等级:HB(UL94),根据FMVSS 302 要求, 燃烧速度 <100mm/min
- 特性:柔软有韧性, 中等壁厚, 表面有光泽, 抗扭曲, 高的抗冲击性能, 高机械强度, 较普通节距软管, 软管受力更均匀, 抗弯折能力更强. 耐油、碱、弱酸等, 耐摩擦, 黑色耐紫外线, 不含卤素、磷、镉, 通过 RoHS测试。
- 应用场合: 机床, 机械制造, 电气控制系统等
- 适配: WQGD、WQGDM软管接头



- Material: Polyamide 6
- Flame-retardant: V2(UL94)
- Color: Dark grey (RAL 7037), black (RAL 9005)
- Temperature range: Min-40°C,max105°C,short-term125°C
- Properties: Soft and tough, medium wall thickness, glossy surface, anti-twist, high impact resistance, high mechanical strength, more uniform force than ordinary pitch hose, hose bending ability is stronger. Oil resistance, alkali resistance, weak acid resistance, friction resistance, black resistance to ultraviolet radiation, no halogen, phosphorus, cadmium, passed RoHS
- Applications: Machine tool,mechanical building, electrical control systems, etc
- Fit with: WQGD, WQGDM Tubing connector

规格型号 Article No.	内径×外径 ID×OD mm×mm	静态弯曲半径 Stat.r (mm)	动态/低温 弯曲半径 Dyn.r (mm)	包装 (米/卷) Packet (m/roll)
WYK-PA6-AD21.2 #	15.7×21.2	40	75	50
WYK-PA6-AD28.5 #	22×28.5	50	100	50
WYK-PA6-AD34.5 #	28×34.5	55	120	25
WYK-PA6-AD42.5 #	36×42.5	90	150	25
WYK-PA6-AD54.5 #	47.2×54.5	110	190	25

★ 订货编号: #=B(黑色),G(深灰色)
Order number: #=B(Black),G(Dark grey)

WYK-PA6-D 增强型重载尼龙软管 Reinforced heavy-Duty Nylon Tubing

- 材料: 尼龙6
- 颜色: 深灰色(RAL 7037),黑色(RAL 9005)
- 温度: -40°C~105°C 短时达到125°C
- 阻燃等级: HB(UL94),根据FMVSS 302 要求, 燃烧速度<100mm/min
- 特性: 柔软有韧性,中等壁厚,表面有光泽,抗扭曲,高抗冲击性能,超高的机械强度,较普通节距软管,软管受力更均匀,抗弯折能力更强。耐油、碱、弱酸等,耐摩擦,黑色耐紫外线,不含卤素、磷、镉,通过 RoHS测试
- 应用场合: 机床,机械制造,电气控制系统等
- 适配: WQGD、WQGDM软管接头

- Material: Polyamide 6
- Color: Dark grey (RAL 7037), black (RAL 9005)
- Temperature range: Min-40°C,max105°C,short-term125°C
- Flame-retardant: V2(UL94)
- Properties: Soft and tough, medium wall thickness, glossy surface, anti-twist, high impact resistance, super high mechanical strength, more uniform force than ordinary pitch hose, hose bending ability is stronger. Oil resistance, alkali resistance, weak acid resistance, friction resistance, black resistance to ultraviolet radiation, no halogen, phosphorus, cadmium, passed RoHS
- Applications: Machine tools, mechanical manufacturing, electrical control systems, etc
- Fit with: WQGD, WQGDM Tubing connector



规格型号 Article No.	内径×外径 ID×OD mm×mm	静态弯 曲半径 Stat.r (mm)	动态/低温 弯曲半径 Dyn.r (mm)	包装 (米/卷) Packet (m/roll)
WYK-PA6-D-AD21.2 #	15.1×21.2	40	75	50
WYK-PA6-D-AD28.5 #	21.5×28.5	50	100	50
WYK-PA6-D-AD34.5 #	27.5×34.5	55	120	25
WYK-PA6-D-AD42.5 #	35.5×42.5	90	150	25
WYK-PA6-D-AD54.5 #	46.5×54.5	110	190	25

★ 订货编号: #=B(黑色), G(深灰色)
Order number: #=B(Black), G (Dark grey)

WYK-PA6-V2 阻燃重载尼龙软管 Flame Retardant Heavy-duty Nylon Tubing

- 材料: 尼龙6
- 防护等级: IP68
- 颜色: 深灰色(RAL 7037),黑色(RAL 9005)
- 温度: -40°C~115°C短时达到150°C
- 阻燃等级: V2(UL94),根据FMVSS 302要求,自熄,B级
- 特性:柔软有韧性,表面有光泽,抗扭曲,高的抗冲击性能,高机械强度,较普通节距软管,软管受力更均匀,抗弯折能力更强。耐油、碱、弱酸等,耐摩擦,黑色耐紫外线;自熄灭性好;中等壁厚,不含卤素、磷、镉,通过RoHS测试。
- 应用场合: 机床,机械制造,电气绝缘保护,地铁,电力机车,空调制冷设备等
- 适配: WQGD、WQGDM软管接头

- Material: Polyamide 6
- IP degree:IP68
- Color: Dark grey (RAL 7037), black (RAL 9005)
- Temperature range: Min-40°C,max115°C,short-term150°C
- Flame-retardant: V2 (UL94), according to FMVSS 302: self-extinguishing,type B
- Characteristics: Soft and tough, glossy surface, anti-twist, high impact resistance, high mechanical strength, more uniform force than ordinary pitch hose, hose bending resistance is stronger. Oil resistance, alkali resistance, weak acid resistance, friction resistance, black ultraviolet resistance, good self-extinguishing, medium wall thickness, no halogen, phosphorus, cadmium, passed RoHS
- Applications: Machine tool, mechanical building, electric insulation protection, underground,electric vehicle and air-conditioner equipment etc
- Fit with: WQGD, WQGDM Tubing connector



规格型号 Article No.	内径×外径 ID×OD mm×mm	静态弯 曲半径 Stat.r (mm)	动态/低温 弯曲半径 Dyn.r (mm)	包装 (米/卷) Packet (m/roll)
WYK-PA6-V2-AD21.2 #	15.7×21.2	40	75	50
WYK-PA6-V2-AD28.5 #	22×28.5	50	100	50
WYK-PA6-V2-AD34.5 #	28×34.5	55	120	25
WYK-PA6-V2-AD42.5 #	36×42.5	90	150	25
WYK-PA6-V2-AD54.5 #	47.2×54.5	110	190	25

★ 订货编号: #=B(黑色), G(深灰色)
Order number: #=B(Black), G (Dark grey)

WYK-PA6-V2-D 阻燃增强型重载尼龙软管 Flame-Retardant Reinforced Heavy-duty Nylon Tubing

- 材料: 尼龙6 ● 颜色: 深灰色(RAL 7037),黑色(RAL 9005)
- 温度:-40°C~115°C短时达到150°C ● 防护等级:IP68
- 阻燃等级:V2(UL94),根据FMVSS 302要求,自熄,B级
- 特性:柔软有韧性,表面有光泽,抗扭曲,高的抗冲击性能,超高机械强度,较普通节距软管,软管受力更均匀,抗弯折能力更强。耐油、碱、弱酸等,耐摩擦,黑色耐紫外线;自熄灭性好;中等壁厚,不含卤素、磷、镉,通过RoHS测试。
- 应用场合:机床,机械制造,电气绝缘保护,地铁,电力机车,空调制冷设备等。
- 适配: WQGD、WQGDM软管接头

- Material: Polyamide 6
- Color: Dark grey (RAL 7037), black (RAL 9005)
- Temperature range: Min-40°C,Max115°C,Short-term150°C
- Flame-retardant: V2 (UL94), according to FMVSS 302: self-extinguishing,Type B ● IP degree:IP68
- Properties: Soft and tough, glossy surface, anti-twist, high impact resistance, super high mechanical strength, more uniform force than ordinary pitch hose, hose bending resistance is stronger. Oil resistance, alkali resistance, weak acid resistance,friction resistance, black ultraviolet resistance, good self-extinguishing, medium wall thickness, no halogen, phosphorus, cadmium, passed RoHS
- Applications:Machine tool, mechanical building, electric insulation protection, underground,electric vehicle and air-conditioner equipment etc
- Fit with: WQGD, WQGDM Tubing connector



规格型号 Article No.	内径×外径 ID×OD mm×mm	静态弯 曲半径 Stat.r (mm)	动态/低温 弯曲半径 Dyn.r (mm)	包装 (米/卷) Packet (m/roll)
WYK-PA6-V2-D-AD21.2 #	15.1×21.2	40	75	50
WYK-PA6-V2-D-AD28.5 #	21.5×28.5	50	100	50
WYK-PA6-V2-D-AD34.5 #	27.5×34.5	55	120	25
WYK-PA6-V2-D-AD42.5 #	35.5×42.5	90	150	25
WYK-PA6-V2-D-AD54.5 #	46.5×54.5	110	190	25

★ 订货编号: #=B(黑色), G(深灰色)
Order number: #=B(Black), G (Dark grey)

WYK-PA6-V0 阻燃重载尼龙软管 Flame Retardant Heavy-duty Nylon Tubing

- 材料: 尼龙6 ● 防护等级:IP68
- 颜色: Dark grey (RAL 7037),黑色(RAL 9005)
- 温度:-40°C~125°C 短时达150°C
- 阻燃等级: V0(UL94)、V0(GB/T2408),根据FMVSS 302要求,自熄,A级,
- 特性: 柔软有韧性,表面有光泽,耐摩擦,抗扭曲,高的抗冲击性能,高机械强度,较普通节距软管,软管受力更均匀,抗弯折能力更强。耐油、柔软有韧性,表面有光泽,耐摩擦,抗扭曲,高的机械强度,耐油、磷、镉。中等壁厚,通过RoHS测试,通过日本、法国、德国铁路认证
- 应用场合: 机械制造,电气绝缘保护;地铁,电力机车空调制冷设备等 ● 适配: WQGD、WQGDM软管接头

- Material: Polyamide 6 ● IP degree: IP68
- Color: Dark grey (RAL 7037), black (RAL 9005)
- Temperature range:Min-40°C,max125°C,short-term150°C
- Flame-retardant: V0(UL94), self-extinguishing, A level, according to FMVSS 302 requirements,According to GB/T2408 standard, flame retardant to V0 level
- Properties: Soft and tough, glossy surface, friction resistance, distortion resistance, high impact resistance, high mechanical strength, more uniform force than ordinary pitch hose, hose bending resistance is stronger. Oil resistance, softness and toughness, glossy surface, friction resistance, distortion resistance, high mechanical strength, oil resistance, phosphorus, cadmium resistance. Medium wall thickness, passed RoHS, We have got railway certificates of Japan, France and Germany
- Application occasion: Machinery manufacturing, electrical insulation protection,subway, electric locomotive air conditioning refrigeration equipment, etc
- Fit with: WQGD, WQGDM Tubing connector



规格型号 Article No.	内径×外径 ID×OD mm×mm	静态弯 曲半径 Stat.r (mm)	动态/低温 弯曲半径 Dyn.r (mm)	包装 (米/卷) Packet (m/roll)
WYK-PA6-V0-AD21.2 #	15.7×21.2	40	75	50
WYK-PA6-V0-AD28.5 #	22×28.5	50	100	50
WYK-PA6-V0-AD34.5 #	28×34.5	55	120	25
WYK-PA6-V0-AD42.5 #	36×42.5	90	150	25
WYK-PA6-V0-AD54.5 #	47.2×54.5	110	190	25

★ 订货编号: #=B(黑色), G(深灰色)
Order number: #=B(Black), G (Dark grey)

WYK-PA6-V0-D 阻燃增强型重载尼龙软管 Flame-Retardant Reinforced Heavy-Duty Nylon Tubing

- 材料:尼龙6 ● 颜色:深灰色(RAL 7037),黑色(RAL 9005)
- 温度:-40°C~125°C 短时达到150°C
- 阻燃等级:V0(UL94),根据FMVSS 302 要求,自熄,A级,通过GB/T2408标准,阻燃达到V0等级
- 特性:柔软有韧性,表面有光泽,抗扭曲,高的抗冲击力性能,超高的机械强度,较普通节距软管,软管受力更均匀,抗弯折能力更强。耐油、碱、弱酸等,耐摩擦,特别好的耐紫外线能力;自熄灭性好;适合室外安装等;中等壁厚,不含卤素、磷、镉,通过RoHS测试,通过日本、法国、德国铁路认证
- 应用场合:机械制造,重型设备,电厂,地铁,电力机车制造等。
- 适配:WQGD、WQGDM软管接头

- Material: Polyamide 6
- Color: Dark grey (RAL 7037), black (RAL 9005)
- Temperature range: Min-40°C,max125°C,short-term150°C
- Flame-retardant: V0(UL94), self-extinguishing, level B according to FMVSS 302 requirements, passed GB/T2480 standard flame retardant to V0 level
- Properties: Soft and tough, glossy surface, anti-twist, high impact resistance, super high mechanical strength, more uniform force than ordinary pitch hose, hose bending resistance is stronger. Oil resistance, alkali resistance, weak acid resistance, friction resistance, excellent ultraviolet resistance; good self-extinguishing; suitable for outdoor installation; medium wall thickness, without halogen, phosphorus, cadmium, passed RoHS, We have got railway certificates of Japan,France and Germany
- Applications: Mechanical building,heavy equipment,electric factory,underground, electric vehicle building etc
- Fit with: WQGD, WQGDM Tubing connector



规格型号 Article No.	内径×外径 ID×OD mm×mm	静态弯曲半径 Stat.r (mm)	动态/低温 弯曲半径 Dyn.r (mm)	包装 (米/卷) Packet (m/roll)
WYK-PA6-V0-D-AD21.2 #	15.1×21.2	40	75	50
WYK-PA6-V0-D-AD28.5 #	21.5×28.5	50	100	50
WYK-PA6-V0-D-AD34.5 #	27.5×34.5	55	120	25
WYK-PA6-V0-D-AD42.5 #	35.5×42.5	90	150	25
WYK-PA6-V0-D-AD54.5 #	46.5×54.5	110	190	25

★ 订货编号: #=B(黑色), G(深灰色)
Order number : #=B(Black), G (Dark grey)

WYK-PA12 重载PA12软管 Heavy-Duty PA12 Tubing

- 材料:尼龙12
- 颜色:深灰色(RAL 7037) 黑色(RAL 9005)
- 温度:-50°C~100°C 短时达到125°C
- 阻燃等级:V2(UL94),根据FMVSS 302 要求,自熄,B级
- 特性:柔软有韧性,优良的耐低温冲击性能,高的抗弯折性能,高耐摩擦性,高机械强度,耐油、碱、弱酸等,特别好的耐紫外线能力;自熄灭性好;适合户外安装;中等壁厚,不含卤素、磷、镉,通过RoHS测试,通过日本、法国、德国铁路认证
- 应用场合:机械制造,重型设备,电厂,地铁,电力机车制造等。
- 适配:WQGD、WQGDM软管接头

- Material: Polyamide 12
- Color: Dark grey (RAL 7037), black (RAL 9005)
- Temperature range: Min-50°C,max100°C,short-term125°C
- Flame-retardant: V2(UL94), self-extinguishing, level B according to FMVSS 302 requirements
- Properties: Soft and tough, glossy surface, anti-twist, high impact resistance, high mechanical strength, more uniform force than ordinary pitch hose, hose bending resistance is stronger. Oil resistance, alkali resistance, weak acid resistance, friction resistance, excellent ultraviolet resistance; good self-extinguishing; suitable for outdoor installation; medium wall thickness, without halogen, phosphorus, cadmium, passed RoHS, We have got railway certificates of Japan, France and Germany
- Applications: Mechanical building,heavy equipment,electric factory,underground,electric vehicle building etc
- Fit with: WQGD, WQGDM Tubing connector



规格型号 Article No.	内径×外径 ID×OD mm×mm	静态弯曲半径 Stat.r (mm)	动态/低温 弯曲半径 Dyn.r (mm)	包装 (米/卷) Packet (m/roll)
WYK-PA12-AD21.2 #	15.7×21.2	40	75	50
WYK-PA12-AD28.5 #	22.0×28.5	50	100	50
WYK-PA12-AD34.5 #	28.0×34.5	55	120	25
WYK-PA12-AD42.5 #	36.0×42.5	90	150	25
WYK-PA12-AD54.5 #	47.2×54.5	110	190	25

★ 订货编号: #=B(黑色), G(深灰色)
Order number : #=B(Black), G (Dark grey)

WYK-PA12-D 增强型重载PA12软管 Reinforced Heavy-Duty PA12 Tubing

- 材料: 尼龙12
- 颜色: 深灰色(RAL 7037),黑色(RAL 9005)
- 温度: -50°C~100°C 短时达到125°C
- 阻燃等级: V2(UL94),根据FMVSS 302 要求, 自熄, B级
- 特性:柔软有韧性, 优良的耐低温冲击性能,高的抗弯折性能, 高耐摩擦性, 高机械强度, 耐油、碱、弱酸等, 特别好的耐紫外线能力;自熄灭性好;适合户外安装;厚壁, 不含卤素、磷、镉, 通过 RoHS测试, 通过日本、法国、德国铁路认证
- 应用场合: 机械制造, 重型设备, 电厂, 地铁, 电力机车制造等
- 适配: WQGD、WQGDM软管接头



- Material: Polyamide 12
- Color: Dark grey(RAL 7037), black (RAL 9005)
- Temperature range: Min-50°C,max100°C,short-term125°C
- Flame-retardant: V2(UL94), self-extinguishing, level B according to FMVSS 302 requirements
- Properties: Soft and tough, glossy surface, anti-twist, high impact resistance, super high mechanical strength, more uniform force than ordinary pitch hose, hose bending resistance is stronger. Oil resistance, alkali resistance, weak acid resistance,friction resistance, excellent ultraviolet resistance; good self-extinguishing; suitable for outdoor installation; medium wall thickness, without halogen, phosphorus,cadmium, passed RoHS, We have got railway certificates of Japan, France and Germany
- Applications: Mechanical building,heavy equipment,electric factory,underground, electric vehicle building etc
- Fit with: WQGD, WQGDM Tubing connector

规格型号 Article No.	内径×外径 ID×OD mm×mm	静态弯曲半径 Stat.r (mm)	动态/低温 弯曲半径 Dyn.r (mm)	包装 (米/卷) Packet (m/roll)
WYK-PA12-D-AD21.2 #	15.1×21.2	40	75	50
WYK-PA12-D-AD28.5 #	21.5×28.5	50	100	50
WYK-PA12-D-AD34.5 #	27.5×34.5	55	120	25
WYK-PA12-D-AD42.5 #	35.5×42.5	90	150	25
WYK-PA12-D-AD54.5 #	46.5×54.5	110	190	25

★ 订货编号: #=B(黑色), G(深灰色) Order number: #=B(Black), G (Dark grey)

受电弓绝缘软管 Pantograph insulating tubing

- 主要材料: SUS304、PTFE复合材料
- 使用温度: -40°C~+70°C
- 工作气压范围: 0.4MPa~1MPa
- 气密性: 1.25MPa 保压1分钟, 无泄漏
- 绝缘管阻燃等级: V0
- 作用: 一端安装在地铁及城轨车辆的车顶供风管路上, 并通过螺纹连接, 另一端安装在受电弓底加上。为地铁及城轨车辆向受电弓提供压缩空气。



- Main material: SUS304, PTFE composite material
- Operating temperature: -40°C~+70°C
- Working pressure range: 0.4MPa~1MPa
- Air tightness: 1.25MPa for 1 minute, no leakage
- Insulation tubing flame retardant grade: V0
- Function: One end is installed on the roof air supply pipeline of subway and urban rail vehicles, and is connected by threads, and the other end is installed at the bottom of the pantograph. Provide compressed air to pantographs for subway and urban rail vehicles.

规格型号 Article No.	绝缘软管规格及颜色 Specification and color of insulating tubing	两端螺纹规格 Thread specification at both ends	总长 Total length	扳手尺寸 Wrench size
TSG-350	PTFEφ10X2 本色	外螺纹:G1/4 内螺纹:G1/4	350	S19
1621000665	PTFEφ10X2 本色	外螺纹:G1/4 外接φ12硬管	550	S19/S22
PIH-870	PTFEφ10X2 本色	外螺纹:G1/4 内螺纹:Rc3/8	870(不含螺纹接头)	S19/S22
PIH-970	PTFEφ10X2 本色	外螺纹:G1/4 外接φ10硬管	970(不含螺纹接头)	S17/S19
20160726L1215	PTFEφ10X2 本色	外螺纹:Rc1/2 外螺纹:Rc3/8	1215(不含螺纹接头)	S19/S24
20101026L1220	PTFEφ10X2 本色	外螺纹:G1/4 外接φ12硬管	1220(不含螺纹接头)	S19/S22
20101026L1220-H	PTFEφ10X2 本色	外螺纹:G1/4 外接φ10硬管	1220(不含螺纹接头)	S17/S19
20160726L1250	PTFEφ10X2 本色	外螺纹:Rc1/2 外螺纹:Rc3/8	1250(不含螺纹接头)	S19/S24
1800X10	PTFEφ12X3 黑色	内螺纹:M16X1.5 90°折弯内螺纹:M16X1.5	1800	S19
1530000048	PTFEφ13X2.5 本色	外螺纹:G1/4 内螺纹:G1/4	450	S19/S24
20170109L1100	PTFEφ13X2.5 本色	外螺纹:G1/2 外螺纹:G1/2	1100	S27
751-1120	PTFEφ13X2.5 本色	外螺纹:G1/2 外螺纹:G1/2	1120	S27
20170321L790	PTFEφ12X2 本色	外螺纹:G1/4 内螺纹:G1/4	790	S19
1621000716	PTFEφ12X2 本色	外螺纹:G1/4 内螺纹:G1/4	790	S19
PGF1220	PTFEφ12X2 本色	外螺纹:G1/4 外接φ10硬管	1220(不含螺纹接头)	S17/S19/S22
1621000682	PTFEφ11X2.5+15%GF 本色	外螺纹:G1/4 外接φ10硬管	1220(不含螺纹接头)	S17/S19

KS 缠绕管 Polyethylene Spiral Wrap Tubing

- 材料: 聚乙烯 PE
- 温度: -40°C~85°C
- 颜色: 黑色, 可定制乳白色 (其他颜色可定制)
- 阻燃等级: V0(UL94)
- 其他性能: 不含卤素, 通过ROHS测试
- 应用场合: 作为保护地中线及通信电缆、光纤保护, 美观电线弯曲等
- 使用方法: 可以从中间或者两端开始缠绕电缆、电线



规格型号	外径O.D	螺距P	壁厚W Wall thickness	包装(米/卷) Packet (m/roll)
Article No.	O.D	Pitch		
KS-4BV0	4.7	6.4	0.6	95
KS-6BV0	6	7.2	0.7	75
KS-8BV0	8	9.2	0.8	55
KS-10BV0	10	10.4	1.0	35
KS-12BV0	12	12.3	1.2	25
KS-14BV0	14	14.4	1.3	18
KS-16BV0	16	16.1	1.5	16
KS-18BV0	18	17.1	1.6	13
KS-20BV0	20	19.4	1.7	12
KS-25BV0	25	23.5	1.7	8
KS-30BV0	30	29.5	2.1	5
KS-35BV0	35	33.7	2.4	4
KS-40BV0	40	34	2.5	3
KS-50BV0	48	44.5	2.7	2.5

- Material: Polyethylene PE
- Temperature range: Min -40°C, Max 85°C
- Color: Black. Can be customized in white. (Other colors can be customized)
- Flame-retardant: V0(UL94)
- Properties: Halogen-free, passed RoHS
- Applications: As a protective conduit for ground wire, communication cable, fiber optic, and used to beautify bent wire, etc.
- Usage: You can wrap cables and wires from the middle or both ends

HG-CU 金属编织管 Wire Braiding

- 材料: 镀锡铜丝
- 温度: -75°C~150°C
- 结构: 由不同编织方向双重交叉圆形编织金属丝构成的编织管
- 性能: 根据编织管的结构, 在某个部分轴向推在一起; 很容易拉入电缆; 编织管通过拉伸会变紧; 防热金属屑
- 应用场合: 高灵活性中空金属编织管, 可作为屏蔽和保护编织管; 特别适用于屏蔽场合



- Material: Tinned copper wire
- Temperature range: Min-75°C,max150°C
- Structure: Braiding consisting of round braided wires with double crossed looping at the different braiding angles
- Properties: Axially pushed together, in a certain proportion, depending upon the construction of the braiding; easy pulling in of cables; the braiding become protection from hot swarfs
- Applications: High flexibility hollow metal braided wire, can be used as shielding and protective braided pipe. Especially suitable for shielding occasions

规格型号	金属线 Wiring	应用范围 Range of Application φ mm	重量 Weight (kg/m±10%)	包装(米/卷) Packet (m/roll)
Article No.				
HG-CU NW6	24×5×0.15	3.2-9.5	0.02	200
HG-CU NW10	36×10×0.15	4.7-15.9	0.06	200
HG-CU NW15	48×12×0.15	10-23	0.1	100
HG-CU NW20	48×15×0.15	12-31.5	0.12	100
HG-CU NW25	48×20×0.15	15-34	0.16	100
HG-CU NW35	48×25×0.15	19-38	0.2	50
HG-CU NW50	48×30×0.15	25-50	0.25	50

HG-PA 编织管 Flame Retardant Braided Conduit



- 材料: PET
- 温度: ~50°C~150°C
- 阻燃等级: V0(UL94)
- 熔点: 240°C±10°C
- 特性: 不含卤素, 阻燃, 能自熄
- 应用场合: 为电缆性的捆扎提供由高柔性中空的PET编织而成的导管能抗高温, 应用于工业航空领域及车辆和铁路的构造

规格型号 Article No.	应用范围 Range of Application Φ mm	重量 Weight (kg/m±10%)	包装(米/卷) Packet (m/roll)
HG-PA NW5 #	3-9	0.0062	200
HG-PA NW10 #	7-16	0.0105	200
HG-PA NW14 #	10-25	0.0125	100
HG-PA NW20 #	14-30	0.0172	100
HG-PA NW25 #	18-35	0.0225	100
HG-PA NW30 #	20-50	0.037	100
HG-PA NW40 #	30-55	0.041	50
HG-PA NW50 #	40-80	0.0458	50

★ 订货编号: #=B(黑色), G(深灰色) Order number: #=B(Black), G(Dark grey)

- Material: PET monofilaments
- Temperature: ~50°C~150°C
- Flame-retardant: V0(UL94)
- Melting Point: 240°C±10°C
- Properties: Halogen-free, flame-retardant, self-extinguishing
- Application: For cable binding, provide high flexible and hollow PET woven catheters to resist high temperatures and apply to industrial aviation and the construction of vehicles and railways

HG-PA/S 自卷式纺织编织管 Openable Conduit With Braiding



- 材料: PET
- 温度: -50°C~150°C
- 熔点: 240°C±10°C
- 阻燃等级: V0(UL94)
- 其他性能: 不含卤素、通过RoHS测试
- 应用场合: 本产品安装方便, 适用于各类电缆的耐磨保护, 能有效避免由振动造成的摩擦破损

规格型号 Article No.	应用范围 Range of Application Φmm	包装(米/卷) Packet (m/roll)
HG- PA/S NW5 #	3-7	100
HG- PA/S NW8 #	6-10	100
HG- PA/S NW13 #	10-16	50
HG- PA/S NW19 #	16-22	25
HG- PA/S NW25 #	21-29	25
HG- PA/S NW29 #	25-33	25
HG- PA/S NW32 #	27-37	25
HG- PA/S NW38 #	33-43	25
HG- PA/S NW50 #	42-58	25

★ 订货编号: #=B(黑色), G(深灰色) Order number: #=B(Black), G(Dark grey)

- Material: Filament
- Temperature Range: Min-50°CMax150°C
- Melting point: 240°C±10°C
- Flame-retardant: V0(UL94)
- Properties: Halogen-free, passed RoHS
- Applications: Easier installation, abrasion resistance for all kinds of cable to avoid friction or damage caused by vibration

HG-SSW 魔术贴屏蔽套管 Velcro shielding sleeve



- 材料: 聚酯;魔术贴材质: 尼龙;屏蔽层材质: 镀锡铜丝
- 温度: -50°C~150°C
- 熔点: 240°C±10°C
- 阻燃等级: V0(UL94)
- 结构: 采用镀锡铜丝钩织网、阻燃布和魔术贴复合而成
- 性能: 本产品具有屏蔽高灵敏的电磁干扰、降噪、防尘、漏电保护的作用
- 应用场合: 产品广泛应用于轨道客车、高铁、汽车、航空航天、船舶、工业机械、医疗器械、电子电器等

规格型号 Article No.	应用范围 Range of Application Φmm	包装(米/卷) Packet (m/roll)
HG-SSW NW16 #	10-16	50
HG-SSW NW20 #	17-20	50
HG-SSW NW30 #	21-30	50
HG-SSW NW50 #	31-50	50

★ 订货编号: #=B(黑色), G(深灰色) Order number: #=B(Black), G(Dark grey)

- Material: Polyester; Velcro material: Nylon; Shielding layer material: Tinned copper wire
- Temperature range: -50°C~150°C
- Melting point: 240°C±10°C
- Flame retardant: V0 (UL94)
- Structure: Compounded with tinned copper wire mesh, flame retardant cloth and Velcro
- Properties: This product has the function of shielding highly sensitive electromagnetic interference, noise reduction, dust prevention and leakage protection
- Application: The products are widely used in rail passenger cars, high-speed rail, automobiles, aerospace, ships, industrial machinery, medical equipment, electronic appliances, etc

WQG1 快速软管接头 Quick Screw Connector



- 材料: 尼龙
- 阻燃等级: V2(UL94)
- 颜色: 深灰色(RAL 7037)、黑色(RAL 9005)
- 温度: -40°C~100°C, 短时可达120°C
- 防护等级: IP66、使用合适的密封圈(O-ring/FR)
(安装规范参考P14页)
- 性能: 自熄灭性好, 不含卤素、磷、镉,RoHS
- 适配: 除重载型WYK软管外的所有软管

- Material: Polyamide
- Flame-retardant: V2(UL94)
- Color: Dark grey (RAL 7037), black (RAL 9005)
- Temperature range: Min-40°C max100°C, short-term120°C
- IP degree: IP66. Use appropriate sealing rings(O-ring/FR)
(Refer to page P14 for installation specifications)
- Performance: Self-extinguishing, free of halogen, phosphor and cadmium, RoHS
- Fit with: All tubing except heavy-duty type WYK tubing

WQG1-M 公制螺纹 Metric Thread

规格型号 Article No.	螺纹规格 Thread dimension	适配软管AD Fits to tubing size	螺纹长度C Thread length	孔径 ΦI mm	外径 ΦB mm	长度D Total length mm	扳手尺寸 SW wrench size	包装单位 Packet
WQG1-M10 #/AD10.0	M10×1.0	AD10.0	12	6	17	35	15.5	50
WQG1-M12 #/AD10.0	M12×1.5	AD10.0	12	7	17	35	15.5	50
WQG1-M12 #/AD13.0	M12×1.5	AD13.0	12	7	20	37	18	50
WQG1-M16 #/AD13.0	M16×1.5	AD13.0	12	10	20	37	18	50
WQG1-M16 #/AD15.8	M16×1.5	AD15.8	12	11.5	23	39.5	21	50
WQG1-M18 #/AD15.8	M18×1.5	AD15.8	12	12	23	39.5	21	50
WQG1-M20 #/AD15.8	M20×1.5	AD15.8	12	12	23	39.5	21	50
WQG1-M18 #/AD18.5	M18×1.5	AD18.5	13	13.5	26	42	24	50
WQG1-M20 #/AD18.5	M20×1.5	AD18.5	13	14.5	26	42	24	50
WQG1-M20 #/AD21.2	M20×1.5	AD21.2	13	15.5	29.5	45	27	50
WQG1-M22 #/AD21.2	M22×1.5	AD21.2	13	17	29.5	45	27	50
WQG1-M24 #/AD21.2	M24×1.5	AD21.2	13	17	29.5	45	27	50
WQG1-M25 #/AD21.2	M25×1.5	AD21.2	13	17	29.5	45	27	50
WQG1-M25 #/AD25.5	M25×1.5	AD25.5	13	20.5	34	46.5	31	25
WQG1-M25 #/AD28.5	M25×1.5	AD28.5	13	20.5	37	47	34	25
WQG1-M27 #/AD28.5	M27×2.0	AD28.5	13	22.5	37	47	34	25
WQG1-M30 #/AD28.5	M30×2.0	AD28.5	13	23.5	37	47	34	25
WQG1-M32 #/AD28.5	M32×1.5	AD28.5	13	23.5	37	47	34	25
WQG1-M32 #/AD31.5	M32×1.5	AD31.5	15	26	41	51	37	25
WQG1-M32 #/AD34.5	M32×1.5	AD34.5	15	26	44	51	40	25
WQG1-M33 #/AD34.5	M33×2.0	AD34.5	15	26	44	51	40	25
WQG1-M36 #/AD34.5	M36×2.0	AD34.5	15	30	44	51	40	25
WQG1-M40 #/AD34.5	M40×1.5	AD34.5	15	28.5	44	51	40	25
WQG1-M40 #/AD42.5	M40×1.5	AD42.5	15	33	52	54	50	10
WQG1-M42 #/AD42.5	M42×2.0	AD42.5	15	35	52	54	50	10
WQG1-M48 #/AD42.5	M48×2.0	AD42.5	15	36.5	52	54	50	10
WQG1-M50 #/AD42.5	M50×1.5	AD42.5	15	36.5	52	54	50	10
WQG1-M50 #/AD54.5	M50×1.5	AD54.5	16	43	64	55	60	5
WQG1-M56 #/AD54.5	M56×2.0	AD54.5	16	48	64	55	60	5
WQG1-M60 #/AD54.5	M60×2.0	AD54.5	16	48	64	55	60	5
WQG1-M63 #/AD54.5	M63×1.5	AD54.5	16	48	64	55	60	5
WQG1-M64 #/AD54.5	M64×2.0	AD54.5	16	48	64	55	60	5

★ 订货编号: #=B(黑色),G(深灰色)

Order number: #=B(Black),G(Dark grey)

WQG1 快速软管接头 Quick Screw Connector

- 材料: 尼龙
- 颜色: 深灰色(RAL 7037)、黑色(RAL 9005)
- 温度: -40°C~100°C, 短时可达120°C
- 防护等级: IP66、使用合适的密封圈 (O-ring/FR)
(安装规范参考P14页)
- 阻燃等级: V2(UL94)
- 性能: 自熄灭性好, 不含卤素、磷、镉, RoHS
- 适配: 除重载型WYK软管外的所有软管



- Material: Polyamide
- Color: Dark grey (RAL 7037), black (RAL 9005)
- Temperature range: Min-40°C max100°C, short-term120°C
- IP degree: IP66. Use appropriate sealing rings(O-ring/FR)
(Refer to page P14 for installation specifications)
- Flame-retardant: V2(UL94)
- Performance: Self-extinguishing, free of halogen, phosphor and cadmium, RoHS
- Fit with: All tubing except heavy-duty type WYK tubing

WQG1-P 德国PG制螺纹 German PG Thread

规格型号 Article No.	螺纹规格 Thread dimension	适配软管AD Fits to tubing size	螺纹外径 Thread OD	螺纹长度C Thread length	孔径 φ I mm	外径 φ B mm	长度D Total length mm	扳手尺寸 SW wrench size	包装单位 Packet
WQG1-P07 #/AD10.0	PG7	AD10.0	12.5	12	7	17	35	15.5	50
WQG1-P09 #/AD13.0	PG9	AD13.0	15.2	12	10	20	37	18	50
WQG1-P11 #/AD15.8	PG11	AD15.8	18.6	12	12	23	39.5	21	50
WQG1-P13.5 #/AD18.5	PG13.5	AD18.5	20.4	13	14.5	26	42	24	50
WQG1-P13.5 #/AD21.2	PG13.5	AD21.2	20.4	13	15.5	29.5	45	27	50
WQG1-P16 #/AD21.2	PG16	AD21.2	22.5	13	17	29.5	45	27	50
WQG1-P21 #/AD25.5	PG21	AD25.5	28.3	13	23	34	46.5	31	25
WQG1-P21 #/AD28.5	PG21	AD28.5	28.3	13	23.5	37	47	34	25
WQG1-P29 #/AD31.5	PG29	AD31.5	37	15	26	41	51	37	25
WQG1-P29 #/AD34.5	PG29	AD34.5	37	15	30	44	51	40	25
WQG1-P36 #AD42.5	PG36	AD42.5	47	15	36.5	52	54	50	10
WQG1-P48 #/AD54.5	PG48	AD54.5	59.3	16	48	64	55	60	5

WQG1-G G制管螺纹 GThread

规格型号 Article No.	螺纹规格 Thread dimension	适配软管AD Fits to tubing size	螺纹长度C Thread length	孔径 φ I mm	外径 φ B mm	长度D Total length mm	扳手尺寸 SW wrench size	包装单位 Packet
WQG1-G1/4 #/AD10.0	G1/4"	AD10.0	12	7	17	35	15.5	50
WQG1-G3/8 #/AD13.0	G3/8"	AD13.0	12	10	20	37	18	50
WQG1-G3/8 #/AD15.8	G3/8"	AD15.8	12	12	23	39.5	21	50
WQG1-G1/2 #/AD15.8	G1/2"	AD15.8	12	12.5	23	39.5	24	50
WQG1-G1/2 #/AD21.2	G1/2"	AD21.2	13	15	29.5	45	27	50
WQG1-G3/4 #/AD25.5	G3/4"	AD25.5	13	21	34	46.5	31	25
WQG1-G3/4 #/AD28.5	G3/4"	AD28.5	13	20.5	37	47	34	25
WQG1-G1 #/AD31.5	G1"	AD31.5	15	26	41	51	37	25
WQG1-G1 #/AD34.5	G1"	AD34.5	15	25.5	44	51	40	25
WQG1-G1 1/4 #/AD42.5	G1 1/4"	AD42.5	15	35	52	54	50	10
WQG1-G1 1/2 #/AD54.5	G1 1/2"	AD54.5	16	39	64	55	60	5
WQG1-G2 #/AD54.5	G2"	AD54.5	16	48	64	55	60	5

★ 订货编号: #=B(黑色), G(深灰色) Order number: #=B(Black), G(Dark grey)

同时可提供NPT制螺纹Remark: we can provide products with NPT thread also

WQG 快速软管接头 Quick Screw Connector

- 材料: 尼龙
- 颜色: 深灰色(RAL 7037),黑色(RAL 9005)
- 温度: -40°C~100°C, 短时达到120°C
- 防护等级: IP68, 使用合适的密封圈(O-ring/FR)
- 阻燃等级: V2(UL94) (安装规范参考P14页)
- 性能: 自熄灭性好, 不含卤素、磷、镉, 通过RoHS测试
- 适配: 除重载型WYK软管外的所有软管

- Material: Polyamide
- Color: Dark grey (RAL 7037), black (RAL 9005)
- Temperature range: Min-40°C, Max100°C, Short-term 120°C
- Flame-retardant: V2(UL94)(Refer to page P14 for installation specifications)
- IP degree: IP68 Use appropriate sealing rings (O-ring/FR)
- Performance: Self-extinguishing, free of halogen, phosphor and cadmium, passed RoHS
- Fit with: All tubing except heavy-duty type WYK tubing



CE C^{RU} US
UL 证书号: E317026

WQG-M 公制螺纹 Metric Thread

规格型号 Article No.	螺纹规格 Thread dimension	适配软管AD Fits to tubing size	螺纹长度C Thread length	孔径 φ I mm	外径 φ B mm	长度D Total length mm	扳手尺寸 SW wrench size	包装单位 Packet
WQG-M10 #/AD10.0	M10×1.0	AD10.0	12	6	17	35	15.5	50
WQG-M12 #/AD10.0	M12×1.5	AD10.0	12	7	17	35	15.5	50
WQG-M12 #/AD13.0	M12×1.5	AD13.0	12	7	20	37	18	50
WQG-M16 #/AD13.0	M16×1.5	AD13.0	12	10	20	37	18	50
WQG-M16 #/AD15.8	M16×1.5	AD15.8	12	11.5	23	39.5	21	50
WQG-M18 #/AD15.8	M18×1.5	AD15.8	12	12	23	39.5	21	50
WQG-M20 #/AD15.8	M20×1.5	AD15.8	12	12	23	39.5	21	50
WQG-M20 #/AD18.5	M20×1.5	AD18.5	13	14.5	26	42	24	50
WQG-M20 #/AD21.2	M20×1.5	AD21.2	13	15.5	29.5	45	27	50
WQG-M22 #/AD21.2	M22×1.5	AD21.2	13	17	29.5	45	27	50
WQG-M24 #/AD21.2	M24×1.5	AD21.2	13	17	29.5	45	27	50
WQG-M25 #/AD21.2	M25×1.5	AD21.2	13	17	29.5	45	27	50
WQG-M25 #/AD25.5	M25×1.5	AD25.5	13	20.5	34	46.5	31	25
WQG-M25 #/AD28.5	M25×1.5	AD28.5	13	20.5	37	47	34	25
WQG-M27 #/AD28.5	M27×2.0	AD28.5	13	22.5	37	47	34	25
WQG-M30 #/AD28.5	M30×2.0	AD28.5	13	23.5	37	47	34	25
WQG-M32 #/AD28.5	M32×1.5	AD28.5	13	23.5	37	47	34	25
WQG-M32 #/AD31.5	M32×1.5	AD31.5	15	26	41	51	37	25
WQG-M32 #/AD34.5	M32×1.5	AD34.5	15	26	44	51	40	25
WQG-M33 #/AD34.5	M33×2.0	AD34.5	15	26	44	51	40	25
WQG-M36 #/AD34.5	M36×2.0	AD34.5	15	30	44	51	40	25
WQG-M40 #/AD34.5	M40×1.5	AD34.5	15	28.5	44	51	40	25
WQG-M40 #/AD42.5	M40×1.5	AD42.5	15	33	52	54	50	10
WQG-M42 #/AD42.5	M42×2.0	AD42.5	15	35	52	54	50	10
WQG-M48 #/AD42.5	M48×2.0	AD42.5	15	36.5	52	54	50	10
WQG-M50 #/AD42.5	M50×1.5	AD42.5	15	36.5	52	54	50	10
WQG-M50 #/AD54.5	M50×1.5	AD54.5	16	43	64	55	60	5
WQG-M56 #/AD54.5	M56×2.0	AD54.5	16	48	64	55	60	5
WQG-M60 #/AD54.5	M60×2.0	AD54.5	16	48	64	55	60	5
WQG-M63 #/AD54.5	M63×1.5	AD54.5	16	48	64	55	60	5
WQG-M64 #/AD54.5	M64×2.0	AD54.5	16	48	64	55	60	5

★ 订货编号: #=B(黑色),G(深灰色)

Order number: #=B(Black), G(Dark grey)

WQG 快速软管接头 Quick Screw Connector

- 材料: 尼龙
- 颜色: 深灰色(RAL 7037),黑色(RAL 9005)
- 温度: -40°C~100°C, 短时达到120°C
- 防护等级: IP68,使用合适的密封圈(O-ring/FR)
- 阻燃等级: V2(UL94)(安装规范参考P14页)
- 性能: 自熄灭性好, 不含卤素、磷、镉,通过RoHS测试
- 适配: 除重载型WYK软管外的所有软管



CE C_{UL} US
UL证书号: E317026

- Material: Polyamide
- Color: Dark grey (RAL 7037), black (RAL 9005)
- Temperature range: Min-40°C,max100°C,short-term120°C
- IP degree: IP68, using suitable seals(O-ring/FR)
- Flame-retardant: V2(UL94)(Refer to page P14 for installation specifications)
- Performance: Self-extinguishing, free of halogen, phosp and cadmium,passed RoHS
- Fit with: All tubing except heavy-duty type WYK tubing

WQG-P 德国PG制螺纹 German PG Thread

规格型号 Article No.	螺纹规格 Thread dimension	适配软管AD Fits to tubing size	螺纹外径 Thread OD	螺纹长度C Thread length	孔径 φ I mm	外径 φ B mm	长度D Total length mm	扳手尺寸 SW wrench size	包装单位 Packet
WQG-P07 #/AD10.0	PG7	AD10.0	12.5	12	7	17	35	15.5	50
WQG-P09 #/AD13.0	PG9	AD13.0	15.2	12	10	20	37	18	50
WQG-P11 #/AD15.8	PG11	AD15.8	18.6	12	12	23	39.5	21	50
WQG-P13.5 #/AD18.5	PG13.5	AD18.5	20.4	13	14.5	26	42	24	50
WQG-P13.5 #/AD21.2	PG13.5	AD21.2	20.4	13	15.5	29.5	45	27	50
WQG-P16 #/AD21.2	PG16	AD21.2	22.5	13	17	29.5	45	27	50
WQG-P21 #/AD25.5	PG21	AD25.5	28.3	13	21	34	46.5	31	25
WQG-P21 #/AD28.5	PG21	AD28.5	28.3	13	23.5	37	47	34	25
WQG-P29 #/AD31.5	PG29	AD31.5	37	15	26	41	51	37	25
WQG-P29 #/AD34.5	PG29	AD34.5	37	15	30	44	51	40	25
WQG-P36 #/AD42.5	PG36	AD42.5	47	15	36.5	52	54	50	10
WQG-P48 #/AD54.5	PG48	AD54.5	59.3	16	48	64	55	60	5

WQG-G G制螺纹 G Thread

规格型号 Article No.	螺纹规格 Thread dimension	适配软管AD Fits to tubing size	螺纹长度C Thread length	孔径 φ I mm	外径 φ B mm	长度D Total length mm	扳手尺寸 SW wrench size	包装单位 Packet
WQG-G1/4 #/AD10.0	G1/4 "	AD10.0	12	7	17	35	15.5	50
WQG-G3/8 #/AD13.0	G3/8 "	AD13.0	12	10	20	37	18	50
WQG-G3/8 #/AD15.8	G3/8 "	AD15.8	12	12	23	39.5	21	50
WQG-G1/2 #/AD15.8	G1/2 "	AD15.8	12	12.5	23	39.5	21	50
WQG-G1/2 #/AD21.2	G1/2 "	AD21.2	13	15	29.5	45	27	50
WQG-G3/4 #/AD25.5	G3/4 "	AD25.5	13	21	34	46.5	31	25
WQG-G3/4 #/AD28.5	G3/4 "	AD28.5	13	20.5	37	47	34	25
WQG-G1 #/AD31.5	G1 "	AD31.5	15	26	41	51	37	25
WQG-G1 #/AD34.5	G1 "	AD34.5	15	25.5	44	51	40	25
WQG-G1 1/4 #/AD42.5	G1 1/4 "	AD42.5	15	35	52	54	50	10
WQG-G1 1/2 #/AD54.5	G1 1/2 "	AD54.5	16	39	64	55	60	5
WQG-G2 #/AD54.5	G2 "	AD54.5	16	48.5	64	55	60	5

★ 订货编号: #=B(黑色), G(深灰色) Order number: #=B(Black), G(Dark grey)
同时可提供NPT制螺纹接头 Note: NPT threaded joints are also available

WQGM 金属螺纹快速软管接头 Metal Quick Screw Connector

- 材料: 尼龙和铜镀镍螺纹制成。
- 颜色: 深灰色(RAL 7037),黑色(RAL 9005)
- 温度: -40°C~100°C, 短时达120°C
- 防护等级: IP68 (安装规范参考P14页)
- 阻燃等级: V2(UL94)
- 性能: 自熄灭性好, 不含卤素、磷、镉,通过RoHS测试
- 特性: 极好的抗冲击强度, 极高强度的螺纹连接
- 适配: 除重载型WYK软管外的所有软管



- Material: Polyamide with nickel-plated brass thread
- Color: Dark grey (RAL 7037), black (RAL 9005)
- Temperature range: Min-40°C,max100°C,short-term120°C
- IP degree: IP68 (Refer to page P14 for installation specifications)
- Flame-retardant: V2(UL94)
- Performance: Self-extinguishing, free of halogen, phosphor and cadmium, passed RoHS
- Properties: Excellent impact resistance, high-intensive thread connection
- Fit with: All tubing except heavy-duty type WYK tubing

WQGM-M 公制螺纹 Metric Thread

规格型号 Article No.	螺纹规格 Thread dimension	适配软管AD Fits to tubing size	螺纹外径 Thread OD	螺纹长度C Thread length	孔径 φ I mm	外径 φ B mm	长度D Total length mm	扳手尺寸 SW wrench size	包装单位 Packet
WQGM-M12 #/AD10.0	M12×1.5	AD10.0	12	10	7	17	37.5	18	50
WQGM-M12 #-5/AD10.0	M12×1.5	AD10.0	12	5	7	17	32.5	18	50
WQGM-M12 #-5/AD13.0	M12×1.5	AD13.0	12	5	7	20	35	22	50
WQGM-M12 #/AD13.0	M12×1.5	AD13.0	12	10	7	20	40	22	50
WQGM-M16 #/AD13.0	M16×1.5	AD13.0	16	12	10	20	42	22	50
WQGM-M16 #-6/AD13.0	M16×1.5	AD13.0	16	6	10	20	36	22	50
WQGM-M16 #-8/AD15.8	M16×1.5	AD15.8	16	8	10	23	39.5	25	50
WQGM-M16 #/AD15.8	M16×1.5	AD15.8	16	12	10	23	43.5	25	50
WQGM-M16 #-6/AD15.8	M16×1.5	AD15.8	16	6	10	23	37.5	25	50
WQGM-M20 #/AD15.8	M20×1.5	AD15.8	20	12	12	23	43.5	25	50
WQGM-M20 #-6/AD15.8	M20×1.5	AD15.8	20	6	12	23	37.5	25	50
WQGM-M20 #/AD18.5	M20×1.5	AD18.5	20	12	14.5	26	46.5	26	25
WQGM-M20 #-6/18.5	M20×1.5	AD18.5	20	6	14.5	26	40.5	26	25
WQGM-M20 #/AD21.2	M20×1.5	AD21.2	20	12	15	29.5	49	31	25
WQGM-M20 #-6/AD21.2	M20×1.5	AD21.2	20	6	15	29.5	43	31	25
WQGM-M25 #/AD21.2	M25×1.5	AD21.2	25	13	16	29.5	50	31	25
WQGM-M25 #-7/AD21.2	M25×1.5	AD21.2	25	7	16	29.5	44	31	25
WQGM-M25 #/AD28.5	M25×1.5	AD28.5	25	13	18	37	52	39	20
WQGM-M25 #-7/AD28.5	M25×1.5	AD28.5	25	7	18	37	46	39	20
WQGM-M32 #/AD28.5	M32×1.5	AD28.5	32	14	23.5	37	53	39	20
WQGM-M32 #-8/AD28.5	M32×1.5	AD28.5	32	8	23.5	37	47	39	20
WQGM-M32 #/AD34.5	M32×1.5	AD34.5	32	14	24	44	57	46	10
WQGM-M32 #-8/AD34.5	M32×1.5	AD34.5	32	8	24	44	51	46	10
WQGM-M40 #/AD34.5	M40×1.5	AD34.5	40	17	28	44	60	46	10
WQGM-M40 #-8/AD34.5	M40×1.5	AD34.5	40	8	28	44	51	46	10
WQGM-M40 #/AD42.5	M40×1.5	AD42.5	40	17	32	52	61	55	10
WQGM-M40 #-10/AD42.5	M40×1.5	AD42.5	40	10	32	52	54	55	10
WQGM-M50 #/AD42.5	M50×1.5	AD42.5	50	17	36.5	52	61	55	10
WQGM-M50 #-9/AD42.5	M50×1.5	AD42.5	50	9	36.5	52	53	55	10
WQGM-M50 #/AD54.5	M50×1.5	AD54.5	50	17	42.5	64	69	70	5
WQGM-M50 #-9/AD54.5	M50×1.5	AD54.5	50	9	43	64	61	70	5
WQGM-M63 #/AD54.5	M63×1.5	AD54.5	63	17	48	64	69	70	5
WQGM-M63 #-10/AD54.5	M63×1.5	AD54.5	63	10	48	64	62	70	5

WQGM-P 德国PG制螺纹 German PG Thread

规格型号 Article No.	螺纹规格 Thread dimension	适配软管AD Fits to tubing size	螺纹外径 Thread OD	螺纹长度C Thread length	孔径 φ I mm	外径 φ B mm	长度D Total length mm	扳手尺寸 SW wrench size	包装单位 Packet
WQGM-P07 #/AD10.0	PG7	AD10.0	12.5	10	7	17	37.5	18	50
WQGM-P09 #/AD13.0	PG9	AD13.0	15.2	12	10	20	42	22	50
WQGM-P11 #/AD15.8	PG11	AD15.8	18.6	12	11	23	43.5	25	50
WQGM-P13.5 #/AD18.5	PG13.5	AD18.5	20.4	12	14.5	26	46.5	26	25
WQGM-P13.5 #-7/AD18.5	PG13.5	AD18.5	20.4	7	14.5	26	41.5	26	25
WQGM-P16 #/AD21.2	PG16	AD21.2	22.5	13	16	29.5	50	31	25
WQGM-P21 #/AD28.5	PG21	AD28.5	28.3	14	20	37	53	39	20
WQGM-P29 #/AD34.5	PG29	AD34.5	37	14	27.5	44	57	46	10
WQGM-P36 #/AD42.5	PG36	AD42.5	47	17	36.5	52	61	55	10
WQGM-P48 #/AD54.5	PG48	AD54.5	59.3	17	48	64	69	70	5

★ 订货编号: #-B(黑色), G(深灰色) Order number: #-B(Black), G(Dark grey)

同时可提供NPT制螺纹接头 Note: NPT threaded joints are also available

WQGZ1 带锁紧软管接头 Conduit connector with Strain Relief

- 材料: 尼龙
- 颜色: 深灰色(RAL 7037), 黑色(RAL 9005)
- 温度: -40°C~100°C, 短时达到120°C
- 防护等级: 在规定的卡口范围内, 并使用合适的密封圈(O-ring/FR), 涂螺纹密封胶后, 可达到IP66 (安装规范参考P14页)
- 阻燃等级: V2(UL94)
- 性能: 自熄灭性好, 不含卤素、磷、镉, 通过RoHS测试
- 适配: 除重载型WYK软管外的所有软管



- Material: Polyamide
- Color: Dark grey (RAL 7037), black (RAL 9005)
- Temperature range: Min-40°C, max100°C, short-term120°C
- IP degree: Use appropriate sealing rings (O-ring/FR), IP66, using sealing gum around the thread. (Refer to page P14 for installation specifications)
- Flame-retardant: V2(UL94)
- Performance: Self-extinguishing, free of halogen, phosphor and cadmium, passed RoHS
- Fit with: All tubing except heavy-duty type WYK tubing

WQGZ1-M 公制螺纹 Metric Thread

规格型号 Article No.	螺纹规格 Thread dimension	适配软管AD Fits to tubing size	卡口范围 Clamping range mm	螺纹长度C Thread length	孔径 φ I mm	外径 φ B mm	长度D Total length mm	包装单位 Packet
WQGZ1-M12 #/AD10.0	M12×1.5	AD10.0	3-6.5	8	7	17	53	50
WQGZ1-M16 #/AD13.0	M16×1.5	AD13.0	4-8	8	8	20	56	50
WQGZ1-M16 #/AD15.8	M16×1.5	AD15.8	5-10	9	10	23	59.5	50
WQGZ1-M18 #/AD15.8	M18×1.5	AD15.8	5-10	8	10	23	58.5	50
WQGZ1-M20 #/AD18.5	M20×1.5	AD18.5	6-12	9	12	26	63	50
WQGZ1-M20 #/AD21.2	M20×1.5	AD21.2	8-14	10	14	29.5	69	25
WQGZ1-M22 #/AD21.2	M22×1.5	AD21.2	8-14	10	14	29.5	69	25
WQGZ1-M25 #/AD25.5	M25×1.5	AD25.5	13-18	11	18	34	73.5	10
WQGZ1-M25 #/AD28.5	M25×1.5	AD28.5	13-18	11	18	37	74	10
* WQGZ1-M32 #/AD31.5	M32×1.5	AD31.5	18-25	12	25	41	85	10
WQGZ1-M32 #/AD34.5	M32×1.5	AD34.5	18-25	11	25	44	85	10
WQGZ1-M40 #/AD42.5	M40×1.5	AD42.5	22-32	13	32	52	98	10
WQGZ1-M50 #/AD54.5	M50×1.5	AD54.5	30-38	15	38	64	103	5
WQGZ1-M63 #/AD54.5	M63×1.5	AD54.5	37-44	15	44	64	101.5	5

WQGZ1-P 德国PG制螺纹 German PG Thread

规格型号 Article No.	螺纹规格 Thread dimension	适配软管AD Fits to tubing size	卡口范围 Clamping range mm	螺纹长度C Thread length	孔径 φ I mm	外径 φ B mm	长度D Total length mm	包装单位 Packet
WQGZ1-P07 #/AD10.0	PG7	AD10.0	3-6.5	8	7	17	53	50
WQGZ1-P09 #/AD13.0	PG9	AD13.0	4-8	8	8	20	56	50
WQGZ1-P11 #/AD15.8	PG11	AD15.8	5-10	8	10	23	58.5	50
WQGZ1-P13.5 #/AD18.5	PG13.5	AD18.5	6-12	9	12	26	63	50
WQGZ1-P16 #/AD21.2	PG16	AD21.2	8-14	10	14	29.5	69	25
WQGZ1-P21 #/AD25.5	PG21	AD25.5	13-18	11	18	34	73	10
WQGZ1-P21 #/AD28.5	PG21	AD28.5	13-18	11	18	37	74	10
* WQGZ1-P29 #/AD31.5	PG29	AD31.5	18-25	12	25	41	85	10
WQGZ1-P29 #/AD34.5	PG29	AD34.5	18-25	11	25	44	85	10
WQGZ1-P36 #/AD42.5	PG36	AD42.5	22-32	13	32	52	98	10
WQGZ1-P48 #/AD54.5	PG48	AD54.5	37-44	15	44	64	101.5	5

★ 订货编号: #=B(黑色), G(深灰色) Order number: #=B(Black), G(Dark grey)
所有打*暂未开发 All article No. marked * hasn't been developed

WQGZ 带锁紧软管接头 Conduit connector with Strain Relief

- 材料: 尼龙
- 颜色: 深灰色(RAL 7037),黑色(RAL 9005)
- 温度: -40°C~100°C, 短时达到120°C
- 防护等级: 在规定的卡口范围内,并使用合适的密封圈(O-ring/FR),涂螺纹密封胶后,可达到IP68 (安装规范参考P14页)
- 阻燃等级: V2(UL94)
- 性能: 自熄灭性好,不含卤素、磷、镉,通过RoHS测试
- 适配: 除重载型WYK软管外的所有软管

- Material: Polyamide
- Color: Dark grey (RAL 7037), black (RAL 9005)
- Temperature range: Min-40°C,max100°C,short-term120°C
- IP degree: Use appropriate sealing rings (O-ring/FR), using sealing gum around the thread. (Refer to page P14 for installation specifications)
- Flame-retardant: V2(UL94)
- Performance: Self-extinguishing, free of halogen, phosphor and cadmium,passed RoHS
- Fit with: All tubing except heavy-duty type WYK tubing



WQGZ-M 公制螺纹 Metric Thread

规格型号 Article No.	螺纹规格 Thread dimension	适配软管AD Fits to tubing size	卡口范围 Clamping range mm	螺纹长度C Thread length	孔径 φ I mm	外径 φ B mm	长度D Total length mm	包装单位 Packet
WQGZ-M12 #/AD10.0	M12×1.5	AD10.0	3-6.5	8	7	17	53	50
WQGZ-M16 #/AD13.0	M16×1.5	AD13.0	4-8	8	8	20	56	50
WQGZ-M16 #/AD15.8	M16×1.5	AD15.8	5-10	8	10	23	59.5	50
WQGZ-M18 #/AD15.8	M18×1.5	AD15.8	5-10	8	10	23	58.5	50
WQGZ-M20 #/AD18.5	M20×1.5	AD18.5	6-12	9	12	26	63	50
WQGZ-M20 #/AD21.2	M20×1.5	AD21.2	8-14	10	14	29.5	69	25
WQGZ-M22 #/AD21.2	M22×1.5	AD21.2	8-14	10	14	29.5	69	25
WQGZ-M25 #/AD25.5	M25×1.5	AD25.5	13-18	11	18	34	73.5	10
WQGZ-M25 #/AD28.5	M25×1.5	AD28.5	13-18	11	18	37	74	10
WQGZ-M32 #/AD31.5	M32×1.5	AD31.5	18-25	11	25	41	83.5	10
WQGZ-M32 #/AD34.5	M32×1.5	AD34.5	18-25	11	25	44	85	10
WQGZ-M40 #/AD42.5	M40×1.5	AD42.5	22-32	13	32	52	98	10
WQGZ-M50 #/AD54.5	M50×1.5	AD54.5	30-38	15	44	64	103	5
WQGZ-M63 #/AD54.5	M63×1.5	AD54.5	37-44	15	44	64	101.5	5

WQGZ-P 德国PG 制螺纹 German PG Thread

规格型号 Article No.	螺纹规格 Thread dimension	适配软管AD Fits to tubing size	卡口范围 Clamping range mm	螺纹长度C Thread length	孔径 φ I mm	外径 φ B mm	长度D Total length mm	包装单位 Packet
WQGZ-P07 #/AD10.0	PG7	AD10.0	3-6.5	8	7	17	53	50
WQGZ-P09 #/AD13.0	PG9	AD13.0	4-8	8	8	20	56	50
WQGZ-P11 #/AD15.8	PG11	AD15.8	5-10	8	10	23	58.5	50
WQGZ-P13.5 #/AD18.5	PG13.5	AD18.5	6-12	9	12	26	63	50
WQGZ-P16 #/AD21.2	PG16	AD21.2	8-14	10	14	29.5	69	25
WQGZ-P21 #/AD25.5	PG21	AD25.5	13-18	11	18	34	73	10
WQGZ-P21 #/AD28.5	PG21	AD28.5	13-18	11	18	37	74	10
WQGZ-P29 #/AD31.5	PG29	AD31.5	18-25	11	25	41	83.5	10
WQGZ-P29 #/AD34.5	PG29	AD34.5	18-25	11	25	44	85	10
WQGZ-P36 #/AD42.5	PG36	AD42.5	22-32	13	32	52	98	10
WQGZ-P48 #/AD54.5	PG48	AD54.5	37-44	15	44	64	101.5	5

★ 订货编号: #=B(黑色),G(深灰色) Order number: #=B(Black),G(Dark grey)
所有打*暂未开发 All article No. marked * hasn't been developed

WQGMZ 带锁紧金属螺纹软管接头 Metal Thread Conduit Connector with Strain Relief

- 材料:尼龙和黄铜镀镍螺纹制成
- 颜色:深灰色(RAL 7037),黑色(RAL 9005)
- 温度:-40°C~100°C,短时达到120°C
- 防护等级:涂螺纹密封胶后,可达到IP68 (安装规范参考P14页)
- 性能:自熄灭性好,不含卤素、磷、镉,通过RoHS测试
- 特性:极好的抗冲击强度,极高强度的螺纹连接,并能紧固所穿电缆
- 适配:除重载型WYK软管外的所有软管

- Material: Polyamide with nickel-plated brass thread.
- Color: Dark grey (RAL 7037), black (RAL 9005)
- Temperature range: Min-40°C, max 100°C, short-term 120°C
- IP degree: IP68, using sealing gum around the thread (Refer to page P14 for installation specifications)
- Performance: Self-extinguishing, free of halogen, phosphor and cadmium, passed RoHS
- Properties: Excellent impact resistance, high-intensive thread connection, fastening the cables
- Fit with: All tubing except heavy-duty type WYK tubing



WQGMZ-M 公制螺纹 Metric Thread

规格型号 Article No.	螺纹规格 Thread dimension	适配软管AD Fits to Tubing Size	卡口范围 Clamping range mm	螺纹长度C Thread Length	孔径 φ I mm	外径 φ B mm	长度D Total length mm	包装单位 Packet
WQGMZ-M12 #/AD10.0	M12×1.5	AD10.0	3~6.5	6	6.6	17	50	50
WQGMZ-M16 #/AD13.0	M16×1.5	AD13.0	4~8	7	8.4	20	55	50
WQGMZ-M18 #/AD15.8	M18×1.5	AD15.8	5~10	7	10.2	23	57.5	50
WQGMZ-M20 #-H/AD15.8	M20×1.5	AD15.8	5~10	7	10.2	23	63.5	50
WQGMZ-M20 #/AD18.5	M20×1.5	AD18.5	6~12	7	12.2	26	62	25
WQGMZ-M20 #-D/AD21.2	M20×1.5	AD21.2	8~14	7	14.2	29.5	64	25
WQGMZ-M22 #/AD21.2	M22×1.5	AD21.2	8~14	7	14.2	29.5	64	25
WQGMZ-M25 #/AD21.2	M25×1.5	AD21.2	10~16	7	16.2	29.5	65.5	25
WQGMZ-M25 #-D/AD28.5	M25×1.5	AD28.5	13~18	7	18.4	37	68	20
WQGMZ-M27 #/AD28.5	M27×2.0	AD28.5	13~18	8	18.4	37	69	20
WQGMZ-M30 #/AD28.5	M30×2.0	AD28.5	13~18	8	18.4	37	69	20
WQGMZ-M32 #-D/AD34.5	M32×1.5	AD34.5	18~25	8	25.2	44	79.5	10
WQGMZ-M36 #/AD34.5	M36×2.0	AD34.5	18~25	8	25.2	44	79.5	10
WQGMZ-M40 #-D/AD42.5	M40×1.5	AD42.5	22~32	9	32.5	52	86.5	10
WQGMZ-M48 #/AD42.5	M48×2.0	AD42.5	22~32	9	32.5	52	86.5	10
WQGMZ-M50 #/AD54.5	M50×1.5	AD54.5	30~38	9	39	64	96	5
WQGMZ-M50 #-D/AD54.5	M50×1.5	AD54.5	37~44	9	44.5	64	96.5	5
WQGMZ-M63 #/AD54.5	M63×1.5	AD54.5	37~44	10	44.5	64	97.5	5
WQGMZ-M64 #/AD54.5	M64×2.0	AD54.5	37~44	10	44.5	64	97.5	5

WQGMZ-P 德国PG螺纹 German PG Thread

规格型号 Article No.	螺纹规格 Thread dimension	适配软管AD Fits to Tubing Size	卡口范围 Clamping range mm	螺纹长度C Thread Length	孔径 φ I mm	外径 φ B mm	长度D Total length mm	包装单位 Packet
WQGMZ-P07 #/AD10.0	PG7	AD10.0	3~6.5	6	6.6	17	50	50
WQGMZ-P09 #/AD13.0	PG9	AD13.0	4~8	7	8.4	20	55	50
WQGMZ-P11 #/AD15.8	PG11	AD15.5	5~10	7	10.2	23	57.5	50
WQGMZ-P13.5 #/AD18.5	PG13.5	AD18.5	6~12	7	12.2	26	62	50
WQGMZ-P16 #/AD21.2	PG16	AD21.2	8~14	7	14.2	29.5	64	25
WQGMZ-P21 #/AD28.5	PG21	AD28.5	13~18	7	18.2	37	68	20
WQGMZ-P29 #/AD34.5	PG29	AD34.5	18~25	8	25.2	44	79.5	10
WQGMZ-P36 #/AD42.5	PG36	AD42.5	22~32	9	32.5	52	86.5	10
WQGMZ-P48 #/AD54.5	PG48	AD54.5	37~44	10	44.5	64	97.5	5

★ 订货编号: #-B(黑色), G(深灰色)

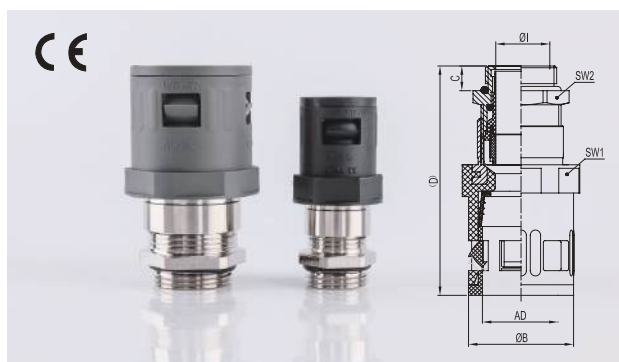
Order number: #-B(Black), G(Dark grey)

WQGMZE 带锁紧屏蔽金属螺纹软管接头

Metal Threaded Shielded Conduit Connector with Strain Relief

- 材料: 尼龙和铜镀镍螺纹制成
- 颜色: 深灰色(RAL 7037),黑色(RAL 9005)
- 温度: -40°C~100°C,短时达到120°C
- 防护等级: 涂螺纹密封胶后,可达到IP68 (安装规范参考P14页)
- 性能: 自熄灭性好,不含卤素、磷、镉,通过RoHS测试
- 特性: 极好的抗冲击强度,极高强度的螺纹连接,并能紧固所穿电缆,非常好的屏蔽功能
- 阻燃等级: V2(UL94)
- 适配: 除重载型WYK软管外的所有软管

- Material: Polyamide with nickel-plated brass thread.
- Color: Dark grey (RAL 7037), black (RAL 9005)
- Temperature range: Min-40°C,max100°C,short-term120°C
- IP degree: IP68, using sealing gum around the thread (Refer to page P14 for installation specifications)
- Flame-retardant: V2(UL94)
- Performance: Self-extinguishing, free of halogen, phosphor and cadmium,passed RoHS
- Properties: Excellent impact resistance, high-intensive thread connection, fastening the cable,with excellent shielding
- Fit with: All tubing except heavy-duty type WYK tubing



WQGMZE-M 公制螺纹 Metric Thread

规格型号 Article No.	螺纹规格 Thread dimension	适配软管AD Fits to tubing size	卡口范围 Clamping range mm	螺纹长度C Thread length	孔径 φ I mm	外径 φ B mm	长度D Total length mm	包装单位 Packet
WQGMZE-M12 #/AD10.0	M12×1.5	AD10.0	3~6.5	6	6.6	17	50	50
WQGMZE-M16 #/AD13.0	M16×1.5	AD13.0	4~8	7	8.4	20	56	50
WQGMZE-M18 #/AD15.8	M18×1.5	AD15.8	5~10	7	10.2	23	58	50
WQGMZE-M20 #-H/AD15.8	M20×1.5	AD15.8	5~10	7	10.2	23	58	50
WQGMZE-M20 #/AD18.5	M20×1.5	AD18.5	6~12	7	12.2	26	63	25
WQGMZE-M20 #-D/AD21.2	M20×1.5	AD21.2	8~14	7	14.2	29.5	65	25
* WQGMZE-M22 #/AD21.2	M22×1.5	AD21.2	8~14	7	14.2	29.5	65.5	25
WQGMZE-M25 #/AD21.2	M25×1.5	AD21.2	10~16	7	16.2	29.5	66.5	25
WQGMZE-M25 #-D/AD28.5	M25×1.5	AD28.5	13~18	7	18.4	37	69	20
WQGMZE-M27 #/AD28.5	M27×2	AD28.5	13~18	8	18.4	37	69	20
WQGMZE-M30 #/AD28.5	M30×2	AD28.5	13~18	8	18.4	37	69	20
WQGMZE-M32 #-D/AD34.5	M32×1.5	AD34.5	18~25	8	25.2	44	81	10
WQGMZE-M36 #/AD34.5	M36×2	AD34.5	18~25	8	25.2	44	81	10
WQGMZE-M40 #-D/AD42.5	M40×1.5	AD42.5	22~32	9	32.4	52	88	10
WQGMZE-M48 #/AD42.5	M48×2	AD42.5	22~32	9	32.5	52	88	10
WQGMZE-M50 #/AD54.5	M50×1.5	AD54.5	30~38	9	38.2	64	88	5
WQGMZE-M63 #/AD54.5	M63×1.5	AD54.5	37~44	10	44.2	64	99	5
WQGMZE-M64 #/AD54.5	M64×2	AD54.5	37~44	10	44.2	64	99	5

WQGMZE-P 德国PG螺纹 German PG Thread

规格型号 Article No.	螺纹规格 Thread dimension	适配软管AD Fits to tubing size	卡口范围 Clamping range mm	螺纹长度C Thread length	孔径 φ I mm	外径 φ B mm	长度D Total length mm	包装单位 Packet
WQGMZE-P07 #/AD10.0	PG7	AD10.0	3~6.5	6	6.6	17	50	50
WQGMZE-P09 #/AD13.0	PG9	AD13.0	4~8	7	8.4	20	56	50
WQGMZE-P11 #/AD15.8	PG11	AD15.8	5~10	7	10.2	23	58	50
WQGMZE-P13.5 #/AD18.5	PG13.5	AD18.5	6~12	7	12.2	26	63	25
WQGMZE-P16 #/AD21.2	PG16	AD21.2	8~14	7	14.2	29.5	65	25
WQGMZE-P21 #/AD28.5	PG21	AD28.5	13~18	8	18.4	37	69	20
WQGMZE-P29 #/AD34.5	PG29	AD34.5	18~25	8	25.2	44	81	10
WQGMZE-P36 #/AD42.5	PG36	AD42.5	22~32	9	32.5	52	88	10
WQGMZE-P48 #/AD54.5	PG48	AD54.5	37~44	10	44.5	64	99	5

- ★ 订货编号: #=B(黑色), G(深灰色) Order number: #=B(Black), G(Dark grey)
所有打*暂未开发 All article No. marked * hasn't been developed

WQGD 高防护旋紧软管接头 High-Protection Liquid Tight Compression Tubing Connector

- 材料: 尼龙
- 阻燃等级: V2(UL94)
- 颜色: 深灰色(RAL 7037), 黑色(RAL 9005)
- 温度: -40°C~100°C, 短时达到120°C
- 防护等级: IP69K, 使用合适的密封圈(O-ring/FR)
- 性能: 安装方便、高的防水性能, 高的可靠性及抗震能力, 自熄灭性好, 不含卤素、磷、镉, 通过RoHS测试, 适用于我司普通软管, 更适用于重载型WYK软管

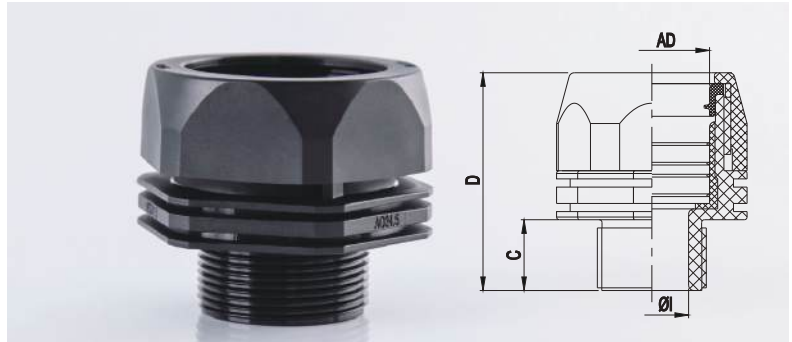
- Material: Polyamide
- Flame-retardant: V2(UL94)
- Color: Dark grey (RAL 7037), black (RAL 9005)
- Temperature range: Min-40°C, max100°C, short-term120°C
- IP degree: IP69K, use appropriate sealing ring (O-ring/FR)
- Performance: Easy to install, high waterproof performance, high reliability and earthquake resistance Ability, Self-extinguishing, free of halogen, phosphor and cadmium, passed RoHS. fit with both normal tubing WY and heavy-duty tubing WYK.

★ 订货编号: #=B(黑色), G(深灰色)

Order number: #=B(Black), G(Dark grey)

可开发其他螺纹规格

Note: Other thread specifications can be developed



规格型号 Article No.	螺纹规格 Thread dimension	适配软管 AD Fits to tubing size	螺纹长度 C Thread length	孔径 φi mm	扳手尺寸 wrench size SW	包装单位 Packet
WQGD-M12 #/AD10.0	M12×1.5	AD10.0	12	7	23	50
WQGD-M16 #/AD13.0	M16×1.5	AD13.0	12	10	26	50
WQGD-M18 #/AD15.8	M18×1.5	AD15.8	12	12	28	50
WQGD-M20 #/AD15.8	M20×1.5	AD15.8	12	12	28	50
WQGD-M20 #/AD18.5	M20×1.5	AD18.5	13	13.5	30	50
WQGD-M20 #/AD21.2	M20×1.5	AD21.2	13	13.5	34	50
WQGD-M25 #/AD28.5	M25×1.5	AD28.5	13	20	42	25
WQGD-M32 #/AD34.5	M32×1.5	AD34.5	15	26	50	25
WQGD-M40 #/AD34.5	M40×1.5	AD34.5	15	28	50	25
WQGD-M50 #/AD42.5	M50×1.5	AD42.5	15	36	60	10
WQGD-M63 #/AD54.5	M63×1.5	AD54.5	16	48	75	5

WQGDM 金属螺纹旋紧软管接头 Metal Screw Liquid Tight Compression Tubing Connector

- 材料: 尼龙和黄铜镀镍螺纹制成
- 颜色: 深灰色(RAL 7037), 黑色(RAL 9005)
- 温度: -40°C~100°C, 短时达120°C
- 防护等级: IP69K
- 阻燃等级: V2(UL94)
- 性能: 安装方便、高强度的螺纹连接, 高的防水性能、高的可靠性及抗震能力。自熄灭性好, 不含卤素、磷、镉, 通过RoHS测试, 适用于我司普通软管, 更适合重载型WYK软管

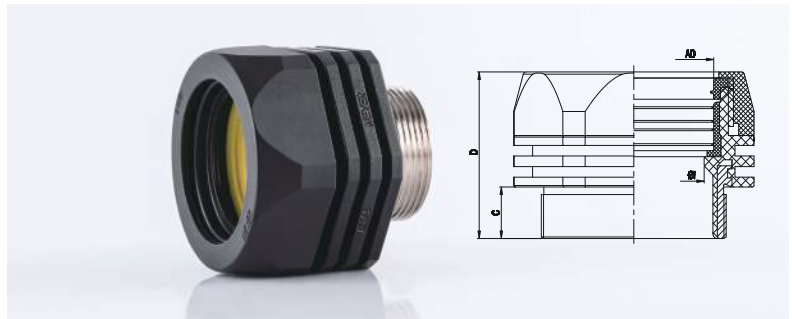
- Material: Polyamide with nickel-plated brass thread
- Color: Dark grey (RAL 7037), black (RAL 9005)
- Temperature range: Min-40°C, max100°C, short-term120°C
- IP degree: IP69K, use appropriate sealing ring
- Flame-retardant: V2(UL94)
- Performance: Easy to install, high waterproof performance, high reliability and earthquake resistance Ability, Self-extinguishing, free of halogen, phosphor and cadmium, passed RoHS. fit with both normal tubing WY and heavy-duty type WYK tubing

★ 订货编号: #=B(黑色), G(深灰色)

Order number: #=B(Black), G(Dark grey)

可开发其他螺纹规格

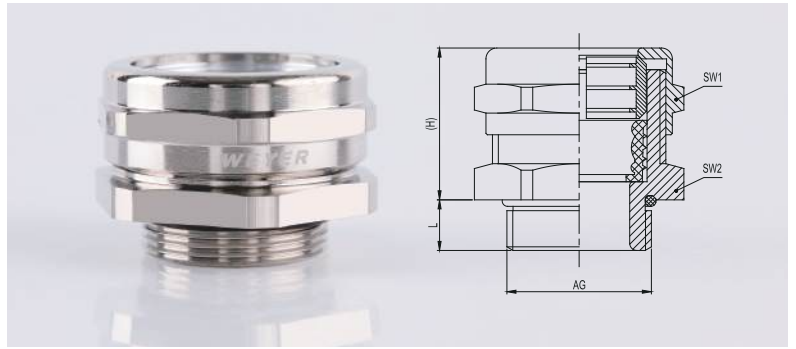
Note: Other thread specifications can be developed



规格型号 Article No.	螺纹规格 Thread dimension	适配软管 AD Fits to tubing size	螺纹长度 C Thread length	孔径 φi mm	扳手尺寸 wrench size SW	包装单位 Packet
WQGDM-M12 #/AD10.0	M12×1.5	AD10.0	10	7	23	50
WQGDM-M12 #-5/AD10.0	M12×1.5	AD10.0	5	7	23	50
WQGDM-M16 #/AD13.0	M16×1.5	AD13.0	12	10	26	50
WQGDM-M16 #-6/AD13.0	M16×1.5	AD13.0	6	10	26	50
WQGDM-M20 #/AD15.8	M20×1.5	AD15.8	12	12	28	50
WQGDM-M20 #-6/AD15.8	M20×1.5	AD15.8	6	12	28	50
WQGDM-M20 #/AD18.5	M20×1.5	AD18.5	12	13.5	30	25
WQGDM-M20 #-6/AD18.5	M20×1.5	AD18.5	6	13.5	30	25
WQGDM-M20 #/AD21.2	M20×1.5	AD21.2	12	13.5	34	25
WQGDM-M20 #-6/AD21.2	M20×1.5	AD21.2	6	13.5	34	25
WQGDM-M25 #/AD28.5	M25×1.5	AD28.5	13	18	42	20
WQGDM-M25 #-7/AD28.5	M25×1.5	AD28.5	7	18	42	20
WQGDM-M32 #/AD34.5	M32×1.5	AD34.5	14	24	50	10
WQGDM-M32 #-8/AD34.5	M32×1.5	AD34.5	8	24	50	10
WQGDM-M40 #/AD34.5	M40×1.5	AD34.5	17	32	50	10
WQGDM-M40 #-8/AD34.5	M40×1.5	AD34.5	8	32	50	10
WQGDM-M50 #/AD42.5	M50×1.5	AD42.5	17	36	60	10
WQGDM-M50 #-9/AD42.5	M50×1.5	AD42.5	9	36	60	10
WQGDM-M63 #/AD54.5	M63×1.5	AD54.5	17	48	75	5
WQGDM-M63 #-10/AD54.5	M63×1.5	AD54.5	10	48	75	5

WQJ 金属卡环软管接头 Metal Clasp Tubing Connector

- 材料: 外部金属为黄铜镀镍;密封件为改性橡胶
 - 温度: -40°C~100°C
 - 防护等级: IP68
 - 性能: 拥有良好的抗冲击性能及抗震动性能, 对软管拥有高强度的锁紧功能
-
- Body material: nickel-plated brass;
Sealing material: modified rubber
 - Temperature range: Min-40°C,max100°C
 - IP degree: IP68
 - Performance: Good impact and vibration resistance, and the tubing has a high-intensity locking function

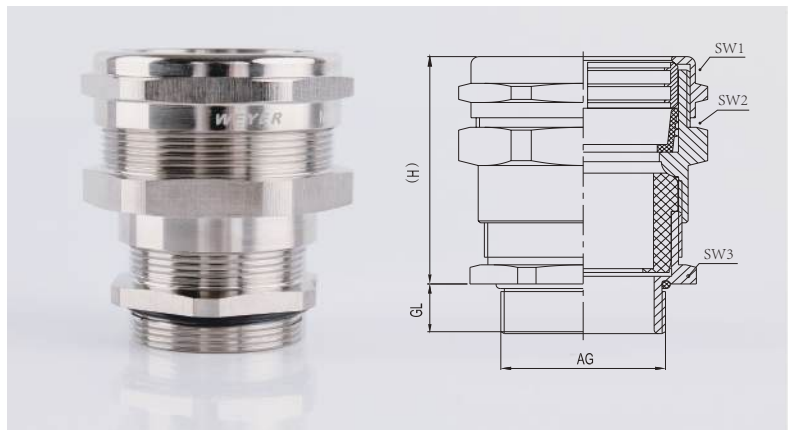


WQJ-M 公制螺纹 Metric Thread

规格型号 Article No.	螺纹规格AG Thread dimension	适配软管AD Fits to tubing size	螺纹长度GL Wrench length	(H)	扳手尺寸 SW wrench size	包装单位 Packet
WQJ-M12/AD10.0	M12×1.5	AD10.0	6	18	20/19	75
WQJ-M12/AD13.0-L	M12×1.5	AD13.0	20	19	22/21	32
WQJ-M20/AD15.8	M20×1.5	AD15.8	7	21	26/26	18
WQJ-M20/AD18.5	M20×1.5	AD18.5	7	23	30/28	18
WQJ-M25/AD21.2	M25×1.5	AD21.2	7	23.75	34/34	18
WQJ-M32/AD28.5	M32×1.5	AD28.5	8	24.5	40/38	8
WQJ-M32/AD34.5	M32×1.5	AD34.5	8	24	45/45	8
WQJ-M40/AD42.5	M40×1.5	AD42.5	9	30.45	55/55	8
WQJ-M50/AD54.5	M50×1.5	AD54.5	9	30.5	70/65	2

WQJL 带锁紧卡环软管接头 Connector, Conically Sealing, With Strain Relief, With Snap Ring

- 材料: 外部金属为黄铜镀镍;密封件为改性橡胶;芯体为TPE
 - 温度: -40°C~100°C
 - 防护等级: IP68
 - 性能: 拥有良好的抗冲击性能及抗震动性能, 对软管及线缆拥有高强度的锁紧功能
-
- Body material: nickel-plated brass;
Sealing material: modified rubber; Core: TPE
 - Temperature range: Min-40°C,max100°C
 - IP degree: IP68
 - Flame-retardant: Good impact and vibration resistance, high strength locking function for tubing and cable



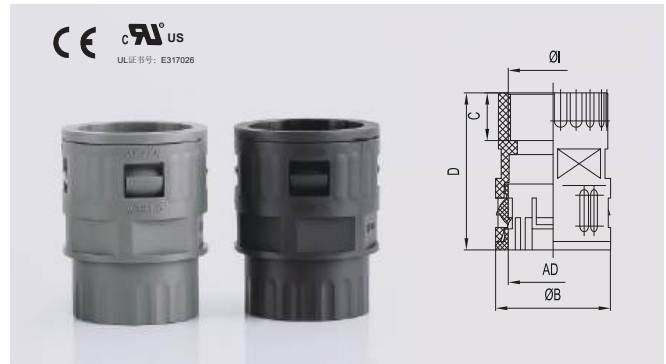
规格型号 Article No.	螺纹规格 Thread dimension	适配软管AD Fits to tubing size	卡口范围 Clamping range	螺纹长度GL Wrench length	(H)	扳手尺寸SW Wrench size	包装单位 Packet
WQJL-M12/AD10.0	M12×1.5	AD10.0	4-7	6	36	20/19/14	50
WQJL-M16/AD13.0	M16×1.5	AD13.0	6.5-9.5	7	38	22/21/18	32
WQJL-M18/AD15.8	M18×1.5	AD15.8	6-10	7	40	26/26/20	9
WQJL-M20/AD18.5	M20×1.5	AD18.5	9-13	7	43	30/28/26	9
WQJL-M25/AD21.2	M25×1.5	AD21.2	13-17	7	45	34/32/28	9
WQJL-M30/AD25.5	M30×2.0	AD25.5	15-19	8	47	36/36/36	4
WQJL-M32/AD28.5	M32×1.5	AD28.5	18-22	8	47	40/38/36	4
WQJL-M32/AD31.5	M32×1.5	AD31.5	21-25	8	48	45/45/38	4
WQJL-M36/AD34.5	M36×2.0	AD34.5	24-28	8	50	45/45/42	4
WQJL-M40/AD42.5	M40×1.5	AD42.5	27-32	9	56	55/55/46	4
WQJL-M50/AD54.5	M50×1.5	AD54.5	32-37	9	55	70/65/55	1

★ WQJ及WQJL亦可提供不锈钢产品 Note: WQJ and WQJL stainless steel is available

WQG3 内螺纹软管接头 Plastic Quick Screw Connector with Female Thread

- 材料: 尼龙
- 防护等级: IP66(安装规范参考P14页)
- 颜色: 深灰色(RAL 7037),黑色(RAL 9005)
- 阻燃等级: V2(UL94)
- 温度: -40°C~100°C, 短时达到120°C
- 性能: 自熄灭性好, 不含卤素、磷、镉,通过RoHS测试
- 适配: 除重载型WYK软管外的所有软管

- Material: Polyamide
- Flame-retardant: V2(UL94)
- IP degree: IP66 (Refer to page P14 for installation specifications)
- Color: Dark grey (RAL 7037), black (RAL 9005)
- Temperature range: Min-40°C, max100°C,short-term120°C
- Performance: Self-extinguishing, free of halogen, phosphor and cadmium,passed RoHS
- Fit with: All tubing except heavy-duty type WYK tubing



WQG3-M 公制螺纹 Metric Thread

规格型号 Article No.	螺纹规格 Thread dimension	适配软管AD Fits to tubing size	扳手尺寸 SW wrench size	螺纹长度C Thread length	孔径 φ I mm	外径 φ B mm	长度D Total length mm	包装单位 Packet
WQG3-M10 #/AD10.0	M10×1.0	AD10.0	15.5	12.5	7	17	36	50
WQG3-M12 #/AD10.0	M12×1.5	AD10.0	15.5	12.5	7	17	36	50
WQG3-M12 #/AD13.0	M12×1.5	AD13.0	18	13	10	20	38.5	50
WQG3-M16 #/AD13.0	M16×1.5	AD13.0	18	13.5	10	20	38.5	50
WQG3-M16 #/AD15.8	M16×1.5	AD15.8	21	13.5	12	23	41	50
WQG3-M20 #/AD15.8	M20×1.5	AD15.8	21	13.5	12	23	41	50
WQG3-M20 #/AD18.5	M20×1.5	AD18.5	24	13.5	14.5	26	43	50
WQG3-M20 #/AD21.2	M20×1.5	AD21.2	27	14.5	17	29.5	47	50
WQG3-M22 #/AD21.2	M22×1.5	AD21.2	27	14.5	17	29.5	47	50
WQG3-M25 #/AD21.2	M25×1.5	AD21.2	27	14.5	17	29.5	47	50
WQG3-M25 #/AD25.5	M25×1.5	AD25.5	31	15	21	34	49	25
WQG3-M25 #/AD28.5	M25×1.5	AD28.5	34	16	23.5	37	50	25
WQG3-M32 #/AD28.5	M32×1.5	AD28.5	34	16	23.5	37	50	25
WQG3-M32 #/AD31.5	M32×1.5	AD31.5	37	17	26	41	53	25
WQG3-M32 #/AD34.5	M32×1.5	AD34.5	40	17	30	44	56	25
WQG3-M40 #/AD34.5	M40×1.5	AD34.5	40	17.5	30	44	56	25
WQG3-M40 #/AD42.5	M40×1.5	AD42.5	50	26	36.5	52	65	10
WQG3-M50 #/AD42.5	M50×1.5	AD42.5	50	26	36.5	52	65	10
WQG3-M50 #/AD54.5	M50×1.5	AD54.5	60	28.5	48	64	68.5	5
WQG3-M63 #/AD54.5	M63×1.5	AD54.5	60	28.5	48	64	68.5	5

WQG3-G G 制螺纹 G Thread

规格型号 Article No.	螺纹规格 Thread dimension	适配软管AD Fits to tubing size	扳手尺寸 SW wrench size	螺纹长度C Thread length	孔径 φ I mm	外径 φ B mm	长度D Total length mm	包装单位 Packet
WQG3-G1/4 #/AD10.0	G1/4"	AD10.0	15.5	12.5	7	17	36	50
WQG3-G3/8 #/AD13.0	G3/8"	AD13.0	18	13.5	10	20	38.5	50
WQG3-G3/8 #/AD15.8	G3/8"	AD15.8	21	13.5	12	23	41	50
WQG3-G1/2 #/AD15.8	G1/2"	AD15.8	21	13.5	12	23	41	50
WQG3-G1/2 #/AD18.5	G1/2"	AD18.5	24	13.5	14.5	26	43	50
WQG3-G1/2 #/AD21.2	G1/2"	AD21.2	27	14.5	17	29.5	47	50
WQG3-G3/4 #/AD21.2	G3/4"	AD21.2	27	14.5	17	29.5	47	50
WQG3-G3/4 #/AD25.5	G3/4"	AD25.5	31	15	21	34	49	25
WQG3-G3/4 #/AD28.5	G3/4"	AD28.5	34	16	23.5	37	50	25
WQG3-G1 #/AD28.5	G1"	AD28.5	34	16	23.5	37	50	25
WQG3-G1 #/AD31.5	G1"	AD31.5	37	17	26	41	53	25
WQG3-G1 #/AD34.5	G1"	AD34.5	40	17.5	30	44	56	25
WQG3-G1 1/4 #/AD34.5	G1 1/4"	AD34.5	40	17.5	30	44	56	25
WQG3-G1 1/4 #/AD42.5	G1 1/4"	AD42.5	50	26	36.5	52	65	10
WQG3-G1 1/2 #/AD42.5	G1 1/2"	AD42.5	50	26	36.5	52	65	10
WQG3-G1 1/2 #/AD54.5	G1 1/2"	AD54.5	60	28.5	44	64	68.5	5
WQG3-G2 #/AD54.5	G2"	AD54.5	60	28.5	48	64	68.5	5

★ 订货编号: #=B(黑色), G(深灰色)

Order number: #=B(Black), G(Dark grey)

WQG2 内螺纹软管接头 Plastic Quick Screw Connector with Female Thread

- 材料: 尼龙
- 阻燃等级: V2(UL94)
- 颜色: 深灰色(RAL 7037),黑色(RAL 9005)
- 温度: -40°C~100°C, 短时达到120°C
- 防护等级: 与软管相连接处可达IP68(安装规范参考P14页)
- 性能: 自熄灭性好, 不含卤素、磷、镉, 通过RoHS测试
- 适配: 除重载型WYK软管外的所有软管

- Material: Polyamide
- Flame-retardant: V2(UL94)
- Color: Dark grey (RAL 7037), black (RAL 9005)
- Temperature range: Min-40°C,max100°C,short-term120°C
- IP degree: Up to IP68 with tubing connection
(Refer to page P14 for installation specifications)
- Performance: Self-extinguishing, free of halogen, phosphor and cadmium,passed RoHS
- Fit with: All tubing except heavy duty type WYK tubing



WQG2-M 公制螺纹 Metric Thread

规格型号 Article No.	螺纹规格 Thread dimension	适配软管AD Fits to tubing size	扳手尺寸 SW wrench size	螺纹长度C Thread length	孔径 φ I mm	外径 φ B mm	长度D Total length mm	包装单位 Packet
WQG2-M10 #/AD10.0	M10×1.0	AD10.0	15.5	12.5	7	17	36	50
WQG2-M12 #/AD10.0	M12×1.5	AD10.0	15.5	12.5	7	17	36	50
WQG2-M12 #/AD13.0	M12×1.5	AD13.0	18	13	10	20	38.5	50
WQG2-M16 #/AD13.0	M16×1.5	AD13.0	18	13.5	10	20	38.5	50
WQG2-M16 #/AD15.8	M16×1.5	AD15.8	21	13.5	12	23	41	50
WQG2-M20 #/AD15.8	M20×1.5	AD15.8	21	13.5	12	23	41	50
WQG2-M20 #/AD18.5	M20×1.5	AD18.5	24	13.5	14.5	26	43	50
WQG2-M20 #/AD21.2	M20×1.5	AD21.2	27	14.5	17	29.5	47	50
WQG2-M22 #/AD21.2	M22×1.5	AD21.2	27	14.5	17	29.5	47	50
WQG2-M25 #/AD21.2	M25×1.5	AD21.2	27	14.5	17	29.5	47	50
WQG2-M25 #/AD25.5	M25×1.5	AD25.5	31	15	21	34	49	25
WQG2-M25 #/AD28.5	M25×1.5	AD28.5	34	16	23.5	37	50	25
WQG2-M32 #/AD28.5	M32×1.5	AD28.5	34	16	23.5	37	50	25
WQG2-M32 #/AD31.5	M32×1.5	AD31.5	37	17	26	41	53	25
WQG2-M32 #/AD34.5	M32×1.5	AD34.5	40	17	30	44	56	25
WQG2-M40 #/AD34.5	M40×1.5	AD34.5	40	17.5	30	44	56	25
WQG2-M40 #/AD42.5	M40×1.5	AD42.5	50	26	36.5	52	65	10
WQG2-M50 #/AD42.5	M50×1.5	AD42.5	50	26	36.5	52	65	10
WQG2-M50 #/AD54.5	M50×1.5	AD54.5	60	28.5	48	64	68.5	5
WQG2-M63 #/AD54.5	M63×1.5	AD54.5	60	28.5	48	64	68.5	5

WQG2-G G 制螺纹 G Thread

规格型号 Article No.	螺纹规格 Thread dimension	适配软管AD Fits to tubing size	扳手尺寸 SW wrench size	螺纹长度C Thread length	孔径 φ I mm	外径 φ B mm	长度D Total length mm	包装单位 Packet
WQG2-G1/4 #/AD10.0	G1/4"	AD10.0	15.5	12.5	7	17	36	50
WQG2-G3/8 #/AD13.0	G3/8"	AD13.0	18	13.5	10	20	38.5	50
WQG2-G3/8 #/AD15.8	G3/8"	AD15.8	21	13.5	12	23	41	50
WQG2-G1/2 #/AD15.8	G1/2"	AD15.8	21	13.5	12	23	41	50
WQG2-G1/2 #/AD18.5	G1/2"	AD18.5	24	13.5	14.5	26	43	50
WQG2-G1/2 #/AD21.2	G1/2"	AD21.2	27	14.5	17	29.5	47	50
WQG2-G3/4 #/AD21.2	G3/4"	AD21.2	27	14.5	17	29.5	47	50
WQG2-G3/4 #/AD25.5	G3/4"	AD25.5	31	15	21	34	49	25
WQG2-G3/4 #/AD28.5	G3/4"	AD28.5	34	16	23.5	37	50	25
WQG2-G1 #/AD28.5	G1"	AD28.5	34	16	23.5	37	50	25
WQG2-G1 #/AD31.5	G1"	AD31.5	37	17	26	41	53	25
WQG2-G1 #/AD34.5	G1"	AD34.5	40	17.5	30	44	56	25
WQG2-G1 1/4 #/AD34.5	G1 1/4"	AD34.5	40	17.5	30	44	56	25
WQG2-G1 1/4 #/AD42.5	G1 1/4"	AD42.5	50	26	36.5	52	65	10
WQG2-G1 1/2 #/AD42.5	G1 1/2"	AD42.5	50	26	36.5	52	65	10
WQG2-G1 1/2 #/AD54.5	G1 1/2"	AD54.5	60	28.5	44	64	68.5	5
WQG2-G2 #/AD54.5	G2"	AD54.5	60	28.5	48	64	68.5	5

★ 订货编号: #=B(黑色), G(深灰色)

Order number: #=B(Black), G(Dark grey)

WQGM2 金属螺纹软管接头 Plastic Quick Screw Connector With Female Metal Thread

- 材料: 尼龙和铜镀镍螺纹制成
- 颜色: 深灰色(RAL 7037),黑色(RAL 9005)
- 温度: -40°C~100°C, 短时达到120°C
- 防护等级: 与软管相连接处可达IP68 (安装规范参考P14页)
- 阻燃等级: V2(UL94)
- 性能: 自熄灭性好, 不含卤素、磷、镉,通过RoHS测试
- 适配: 除重载型WYK软管外的所有软管



- Material: Polyamide with nickel-plated brass thread
- Color: Dark grey (RAL 7037), black (RAL 9005)
- Temperature range: Min-40°C,max100°C,short-term120°C
- IP degree: Up to IP68 with tubing connection
(Refer to page P14 for installation specifications)
- Flame-retardant: V2(UL94)
- Performance: Self-extinguishing, free of halogen, phosphor and cadmium, passed RoHS
- Fit with: All tubing except heavy-duty type WYK tubing

WQGM2-M 公制螺纹 Metric Thread

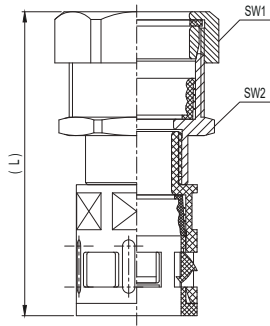
规格型号 Article No.	螺纹规格 Thread dimension	适配软管AD Fits to tubing size	扳手尺寸 SW wrench size	螺纹长度C Thread length	孔径 φ I mm	外径 φ B mm	长度D Total length mm	包装单位 Packet
WQGM2-M12 #/AD10.0	M12×1.5	AD10.0	18	10	7	17	37.5	50
WQGM2-M16 #/AD13.0	M16×1.5	AD13.0	22	12	8.5	20	42	50
WQGM2-M20 #/AD15.8	M20×1.5	AD15.8	25	12	12	23	43.5	50
WQGM2-M20 #/AD21.2	M20×1.5	AD21.2	31	12	15	29.5	49	25
WQGM2-M25 #/AD21.2	M25×1.5	AD21.2	31	13	16	29.5	50	25
WQGM2-M25 #/AD28.5	M25×1.5	AD28.5	39	13	18	37	52	20
WQGM2-M32 #/AD34.5	M32×1.5	AD34.5	46	14	24	44	57	10
WQGM2-M40 #/AD42.5	M40×1.5	AD42.5	55	17	32	52	61	10
WQGM2-M50 #/AD54.5	M50×1.5	AD54.5	70	17	39	64	69	5
WQGM2-M63 #/AD54.5	M63×1.5	AD54.5	70	17	48	64	69	5

WQGM2-P 德国 PG 螺纹 German PG Thread

规格型号 Article No.	螺纹规格 Thread dimension	适配软管AD Fits to tubing size	扳手尺寸 SW wrench size	螺纹长度C Thread length	孔径 φ I mm	外径 φ B mm	长度D Total length mm	包装单位 Packet
WQGM2-P07 #/AD10.0	PG7	AD10.0	18	10	7	17	37.5	50
WQGM2-P09 #/AD13.0	PG9	AD13.0	22	12	8.5	20	42	50
WQGM2-P11 #/AD15.8	PG11	AD15.8	25	12	10.5	23	43.5	50
WQGM2-P13.5 #/AD18.5	PG13.5	AD18.5	26	12	12.5	26	46.5	25
WQGM2-P16 #/AD21.2	PG16	AD21.2	31	13	14.5	29.5	50	25
WQGM2-P21 #/AD28.5	PG21	AD28.5	39	14	18.5	37	53	20
WQGM2-P29 #/AD34.5	PG29	AD34.5	46	15	25.5	44	58	10
WQGM2-P36 #/AD42.5	PG36	AD42.5	55	17	33.5	52	61	10
WQGM2-P48 #/AD54.5	PG48	AD54.5	70	20	45	64	72	5

★ 订货编号: #=B(黑色), G(深灰色) Order number: #=B(Black), G(Dark grey)
 同时可提供WQGM2-G管螺纹软管接头 We can supply WQGM2-G G thread connectors

KPA-Dg 金属软管接头 Metal Conduit Connector



- 材料: 外部一端为黄铜镀镍;另一端为尼龙;
内部芯套为TPE
- 温度: -40°C~100°C,短时达到120°C
- 防护等级: IP68(螺纹连接处需涂螺纹密封胶),
(安装规范参考P14页)
- 作用: 连接尼龙软管和钢管
- 适配: 除重载型WYK软管外的所有软管

- Material: One end is nickel-plated brass; the other end is nylon; the inner core is TPE
- Temperature range: Min-40°C, max100°C, short-term120°C
- IP degree: IP68(Threaded connections require the application of thread sealant), (Refer to page P14 for installation specifications)
- Function: Connectors for Nylon tubing and Steel tubing
- Fit with: All tubing except heavy duty type WYK tubing

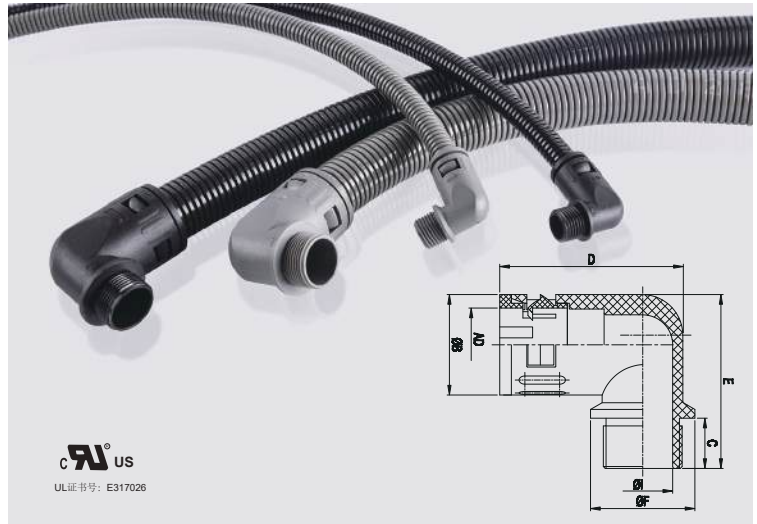
规格型号 Article No.	总长 (L) mm	扳手尺寸SW1/SW2 Wrench size	适配软管AD Fits to tubing size	钢管外径及偏差Φ Steel Tubing OD and Deviation mm	包装单位 Packet
* KPA10-Dg10	51	17/15	AD10.0	Φ10±0.5	25
* KPA13-Dg15	62	24/23	AD13.0	Φ15±0.5	16
* KPA15.8-Dg15	66	24/24	AD15.8	Φ15±0.5	16
KPA18.5-Dg25	71	36/34	AD18.5	Φ25±0.5	9
KPA21.2-Dg25	74	36/34	AD21.2	Φ25±0.5	9
KPA28.5-Dg32	75	45/42	AD28.5	Φ32±0.5	4
KPA28.5-Dg34	76.1	50/45	AD28.5	Φ34±0.5	4
KPA34.5-Dg42	81.1	55/52	AD34.5	Φ42±0.5	4
KPA42.5-Dg38	83.3	52/50	AD42.5	Φ38±0.5	4
* KPA42.5-Dg40	85.1	55/50	AD42.5	Φ40±0.5	4
KPA42.5-Dg42	84.1	55/52	AD42.5	Φ42±0.5	4
KPA54.5-Dg51	88	65/60	AD54.5	Φ51±0.5	1
* KPA54.5-Dg52	86	65/60	AD54.5	Φ52±0.5	1

所有打*暂未开发 All article No. marked * hasn't been developed

WQW1 直角软管接头 Elbow Connector

- 材料: 尼龙
- 阻燃等级: V2(UL94)
- 颜色: 深灰色(RAL 7037), 黑色(RAL 9005)
- 温度: -40°C~100°C, 短时达到120°C
- 防护等级: IP66, 使用合适的密封圈(O-ring/FR), (安装规范参考P14页)
- 性能: 自熄灭性好, 不含卤素、磷、镉, 通过RoHS测试
- 适配: 除重载型WYK软管外的所有软管

- Material: Polyamide
- Color: Dark grey (RAL 7037), black (RAL 9005)
- Temperature Range: Min-40°C, max100°C, short-term 120°C
- IP degree: IP66, use appropriate sealing ring (O-ring/FR) (Refer to page P14 for installation specifications)
- Flame-retardant: V2(UL94)
- Performance: Self-extinguishing, free of halogen, phosphor and cadmium, passed RoHS
- Fit with: All tubing except WYK tubing



UL[®] US
UL证书号: E317026

WQW1-M 公制螺纹 Metric Thread

规格型号 Article No.	螺纹规格 Thread Dimension	适配软管规格 Fits to Tubing size	φI I D mm	φB OD mm	C Thread Length	D Total Length	E Total Height	φF Conne- ction	包装单位 Packet
WQW1-M10 #/AD10.0	M10×1.0	AD10.0	7	17	11.5	34	33.5	16	50
WQW1-M12 #/AD10.0	M12×1.5	AD10.0	8.5	17	11.5	34	33.5	16	50
WQW1-M12 #/AD13.0	M12×1.5	AD13.0	8	20	11.5	38.5	36	20	50
WQW1-M16 #/AD13.0	M16×1.5	AD13.0	11	20	11.5	38.5	36	20	50
WQW1-M16 #/AD15.8	M16×1.5	AD15.8	12	23	12	43.5	40.5	23	50
WQW1-M18 #/AD15.8	M18×1.5	AD15.8	14	23	12	43.5	40.5	23	50
WQW1-M20 #/AD15.8	M20×1.5	AD15.8	14	23	12	43.5	40.5	23	50
WQW1-M20 #/AD18.5	M20×1.5	AD18.5	15.5	26	13	47.5	45	27	25
WQW1-M20 #/AD21.2	M20×1.5	AD21.2	15.5	29.5	13	51.5	48	27	25
WQW1-M22 #/AD21.2	M22×1.5	AD21.2	18	29.5	13	51.5	48	27	25
WQW1-M24 #/AD21.2	M24×1.5	AD21.2	18	29.5	13	51.5	48	27	25
WQW1-M25 #/AD21.2	M25×1.5	AD21.2	18	29.5	13	51.5	48	27	25
WQW1-M25 #/AD28.5	M25×1.5	AD28.5	20.5	37	13	59	56	34	20
WQW1-M27 #/AD28.5	M27×2.0	AD28.5	21.5	37	13	59	56	34	20
WQW1-M30 #/AD28.5	M30×2.0	AD28.5	23.5	37	13	59	56	34	20
WQW1-M32 #/AD28.5	M32×1.5	AD28.5	23.5	37	13	59	56	34	20
WQW1-M32 #/AD34.5	M32×1.5	AD34.5	25	44	15	70.5	65.5	43	10
WQW1-M33 #/AD34.5	M33×2.0	AD34.5	25	44	15	70.5	65.5	43	10
WQW1-M36 #/AD34.5	M36×2.0	AD34.5	31	44	15	70.5	65.5	43	10
WQW1-M40 #/AD34.5	M40×1.5	AD34.5	31	44	15	70.5	65.5	43	5
WQW1-M40 #/AD42.5	M40×1.5	AD42.5	32	52	15	81	73.5	56	5
WQW1-M42 #/AD42.5	M42×2.0	AD42.5	36	52	15	81	73.5	56	5
WQW1-M48 #/AD42.5	M48×2.0	AD42.5	39	52	15	81	73.5	56	5
WQW1-M50 #/AD42.5	M50×1.5	AD42.5	39	52	15	81	73.5	56	5
WQW1-M50 #/AD54.5	M50×1.5	AD54.5	43	64	16	91	86.5	68	4
WQW1-M56 #/AD54.5	M56×2.0	AD54.5	48.5	64	16	91	86.5	68	4
WQW1-M60 #/AD54.5	M60×2.0	AD54.5	48.5	64	16	91	86.5	68	4
WQW1-M63 #/AD54.5	M63×1.5	AD54.5	48.5	64	16	91	86.5	68	4
WQW1-M64 #/AD54.5	M64×2.0	AD54.5	48.5	64	16	91	86.5	68	4

★ 订货编号: #=B(黑色), G(深灰色)

Order number: #=B(Black), G(Dark grey)

WQW1 直角软管接头 Elbow Connector

- 材料: 尼龙
- 阻燃等级: V2(UL94)
- 颜色: 深灰色(RAL 7037),黑色(RAL 9005)
- 温度: -40°C~100°C, 短时达到120°C
- 防护等级: IP66, 使用合适的密封圈(O-ring/FR)、(安装规范参考P14页)
- 性能: 自熄灭性好, 不含卤素、磷、镉等,通过RoHS测试
- 适配: 除重载型WYK软管外的所有软管

- Material: Polyamide
- Flame-retardant: V2(UL94)
- Color: Dark grey (RAL 7037), black (RAL 9005)
- Temperature Range: Min-40°C,max100°C,short-term120°C
- IP degree: IP66, use appropriate sealing ring (O-ring/FR), (Refer to page P14 for installation specifications)

- Performance: Self-extinguishing, free of halogen, phosphor and cadmium,passed RoHS
- Fit with: All tubing except WYK tubing



WQW1-P 德国PG制螺纹 German PG Thread

规格型号 Article No.	螺纹规格 Thread Dimension	适配软管规格 Fits to Tubing size	φI ID mm	φB OD mm	C Thread Length	D Total Length	E Total Height	φF Conne- ction	包装单位 Packet
WQW1-P07 #/AD10.0	PG7	AD10.0	8.5	17	11.5	34	33.5	16	50
WQW1-P09 #/AD13.0	PG9	AD13.0	11	20	11.5	38.5	36	20	50
WQW1-P11 #/AD15.8	PG11	AD15.8	14	23	12	43.5	40.5	23	50
WQW1-P13.5 #/AD18.5	PG13.5	AD18.5	15.5	26	13	47.5	45	27	50
WQW1-P16 #/AD21.2	PG16	AD21.2	18	29.5	13	51.5	48	27	25
WQW1-P21 #/AD28.5	PG21	AD28.5	23.5	37	13	59	56	34	20
WQW1-P29 #/AD34.5	PG29	AD34.5	31	44	15	70.5	65.5	43	10
WQW1-P36 #/AD42.5	PG36	AD42.5	39	52	15	81	73.5	56	5
WQW1-P48 #/AD54.5	PG48	AD54.5	48.5	64	16	91	86.5	68	4

WQW1-G G制管螺纹 G Thread

规格型号 Article No.	螺纹规格 Thread Dimension	适配软管规格 Fits to Tubing size	φI ID mm	φB OD mm	C Thread Length	D Total Length	E Total Height	φF Conne- ction	包装单位 Packet
WQW1-G1/4 #/AD10.0	G1/4"	AD10.0	8.5	17	11.5	34	33.5	16	50
WQW1-G3/8 #/AD13.0	G3/8"	AD13.0	11	20	11.5	38.5	36	20	50
WQW1-G3/8G/AD15.8	G3/8"	AD15.8	12	23	12	43.5	40.5	23	50
WQW1-G1/2 #/AD15.8	G1/2"	AD15.8	14	23	12	43.5	40.5	23	50
WQW1-G1/2 #/AD21.2	G1/2"	AD21.2	15.5	29.5	13	51.5	48	27	25
WQW1-G3/4 #/AD28.5	G 3/4"	AD28.5	21.5	37	13	59	56	34	20
WQW1-G1 #/AD34.5	G1"	AD34.5	25	44	15	70.5	65.5	43	10
WQW1-G1 1/4 #/AD42.5	G1 1/4"	AD42.5	36	52	15	81	73.5	56	5
WQW1-G1 1/2 #/AD54.5	G1 1/2"	AD54.5	41	64	16	91	86.5	68	4
WQW1-G2 #/AD54.5	G 2"	AD54.5	48.5	64	16	91	86.5	68	4

★ 订货编号: #=B(黑色), G(深灰色) Order number: #=B(Black), G (Dark grey)

WQW 直角软管接头 Elbow Connector

- 材料: 尼龙
- 阻燃等级: V2(UL94)
- 颜色: 深灰色(RAL 7037), 黑色(RAL 9005)
- 温度: -40°C~100°C, 短时达到120°C
- 防护等级: IP68, 使用合适的密封圈(O-ring/FR), (安装规范参考P14页)
- 阻燃性能: 自熄灭性好, 不含卤素、磷、镉, 通过RoHS测试
- 适配: 除重载型WYK软管外的所有软管

- Material: Polyamide
- Flame-retardant: V2(UL94)
- Color: Dark grey (RAL 7037), black (RAL 9005)
- Temperature range: Min-40°C, max 100°C, short-term 120°C
- IP degree: IP68, use appropriate sealing ring (O-ring/FR), (Refer to page P14 for installation specifications)
- Performance: Self-extinguishing, free of halogen, phosphor and cadmium, passed RoHS.
- Fit with: All tubing except WYK tubing



WQW-M 公制螺纹 Metric Thread

规格型号 Article No.	螺纹规格 Thread Dimension	适配软管规格 Fits to Tubing size	φ I ID mm	φ B OD mm	C Thread Length	D Total Length	E Total Height	包装单位 Packet
WQW-M10 #/AD10.0	M10×1.0	AD10.0	8.5	17	11.5	34	33.5	50
WQW-M12 #/AD10.0	M12×1.5	AD10.0	8.5	17	11.5	34	33.5	50
WQW-M12 #/AD13.0	M12×1.5	AD13.0	8	20	11.5	38.5	36	50
WQW-M16 #/AD13.0	M16×1.5	AD13.0	11	20	11.5	38.5	36	50
WQW-M16 #/AD15.8	M16×1.5	AD15.8	12	23	12	43.5	40.5	50
WQW-M18 #/AD15.8	M18×1.5	AD15.8	14	23	12	43.5	40.5	50
WQW-M20 #/AD15.8	M20×1.5	AD15.8	14	23	12	53.5	40.5	50
WQW-M20 #/AD18.5	M20×1.5	AD18.5	15.5	26	13	57.5	45	25
WQW-M20 #/AD21.2	M20×1.5	AD21.2	18	29.5	13	51.5	48	25
WQW-M22 #/AD21.2	M22×1.5	AD21.2	18	29.5	13	51.5	48	25
WQW-M24 #/AD21.2	M24×1.5	AD21.2	18	29.5	13	51.5	48	25
WQW-M25 #/AD21.2	M25×1.5	AD21.2	18	29.5	13	51.5	48	25
WQW-M25 #/AD28.5	M25×1.5	AD28.5	23.5	37	13	59	56	20
WQW-M27 #/AD28.5	M27×2.0	AD28.5	23.5	37	13	59	56	20
WQW-M30 #/AD28.5	M30×2.0	AD28.5	23.5	37	13	59	56	20
WQW-M32 #/AD28.5	M32×1.5	AD28.5	23.5	37	13	59	56	20
WQW-M32 #/AD34.5	M32×1.5	AD34.5	25	44	15	70.5	65.5	10
WQW-M33 #/AD34.5	M33×2.0	AD34.5	25	44	15	70.5	65.5	10
WQW-M36 #/AD34.5	M36×2.0	AD34.5	31	44	15	70.5	65.5	10
WQW-M40 #/AD34.5	M10×1.5	AD34.5	31	44	15	70.5	65.5	10
WQW-M40 #/AD42.5	M50×1.5	AD42.5	39	52	15	81	73.5	5
WQW-M42 #/AD42.5	M42×2.0	AD42.5	39	52	15	81	73.5	5
WQW-M48 #/AD42.5	M48×2.0	AD42.5	39	52	15	81	73.5	5
WQW-M50 #/AD42.5	M50×1.5	AD42.5	39	52	15	81	73.5	5
WQW-M50 #/AD54.5	M50×1.5	AD54.5	43	64	16	91	86.5	4
WQW-M56 #/AD54.5	M56×2.0	AD54.5	48.5	64	16	91	86.5	4
WQW-M60 #/AD54.5	M60×2.0	AD54.5	48.5	64	16	91	86.5	4
WQW-M63 #/AD54.5	M64×1.5	AD54.5	48.5	64	16	91	86.5	4
WQW-M64 #/AD54.5	M64×2.0	AD54.5	48.5	64	16	91	86.5	4

★ 订货编号: #=B(黑色), G(深灰色)

Order number: #=B(Black), G(Dark grey)

WQW 直角软管接头 Elbow Connector

- 材料: 尼龙
- 阻燃等级: V2(UL94)
- 颜色: 深灰色(RAL 7037), 黑色(RAL 9005)
- 温度: -40°C~100°C, 短时达到120°C
- 防护等级: IP68, 使用合适的密封圈(O-ring/FR), (安装规范参考P14页)
- 阻燃性能: 自熄灭性好, 不含卤素、磷、镉, 通过RoHS测试
- 适配: 除重载型WYK软管外的所有软管

- Material: Polyamide
- Flame-retardant: V2(UL94)
- Color: Dark grey (RAL 7037), black (RAL 9005)
- Temperature range: Min-40°C, max100°C, short-term120°C
- IP degree: IP68, use appropriate sealing ring (O-ring/FR), (Refer to page P14 for installation specifications)
- Performance: Self-extinguishing, free of halogen, phosphor and cadmium, passed RoHS
- Fit with: All tubing except WYK tubing



WQW-P 德国PG制螺纹 German PG Thread

规格型号 Article No.	螺纹规格 Thread Dimension	适配软管规格 Fits to Tubing size	φ I ID mm	φ B OD mm	C Thread Length	D Total Length	E Total Height	包装单位 Packet
WQW-P07 #/AD10.0	PG7	AD10.0	8.5	17	11.5	34	33.5	50
WQW-P09 #/AD13.0	PG9	AD13.0	11	20	11.5	38.5	36	50
WQW-P11 #/AD15.8	PG11	AD15.8	14	23	12	43.5	40.5	50
WQW-P13.5 #/AD18.5	PG13.5	AD18.5	15.5	26	13	47.5	45	50
WQW-P16 #/AD21.2	PG16	AD21.2	18	29.5	13	51.5	48	25
WQW-P21 #/AD28.5	PG21	AD28.5	23.5	37	13	59	56	20
WQW-P29 #/AD34.5	PG29	AD34.5	31	44	15	70.5	65.5	10
WQW-P36 #/AD42.5	PG36	AD42.5	39	52	15	81	73.5	5
WQW-P48 #/AD54.5	PG48	AD54.5	48.5	64	16	91	86.5	4

WQW-G G制管螺纹 G Thread

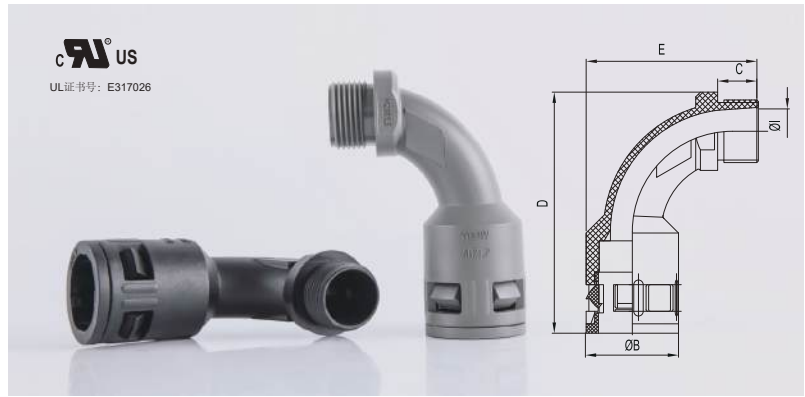
规格型号 Article No.	螺纹规格 Thread Dimension	适配软管规格 Fits to Tubing Size	φ I ID mm	φ B OD mm	C Thread Length	D Total Length	E Total Height	包装单位 Packet
WQW-G1/4 #/AD10.0	G1/4"	AD10.0	8.5	17	11.5	34	33.5	50
WQW-G3/8 #/AD13.0	G3/8"	AD13.0	11	20	11.5	38.5	36	50
WQW-G3/8 #/AD15.8	G3/8"	AD15.8	12	23	12	43.5	40.5	50
WQW-G1/2 #/AD15.8	G1/2"	AD15.8	14	23	12	43.5	40.5	50
WQW-G1/2 #/AD21.2	G1/2"	AD21.2	15.5	29.5	13	51.5	48	25
WQW-G3/4 #/AD28.5	G 3/4"	AD28.5	21.5	37	13	59	56	20
WQW-G1 #/AD34.5	G1"	AD34.5	25	44	15	70.5	65.5	10
WQW-G1 1/4 #/AD42.5	G1 1/4"	AD42.5	36	52	15	81	73.5	5
WQW-G1 1/2 #/AD54.5	G1 1/2"	AD54.5	41	64	16	91	86.5	4
WQW-G2 #/AD54.5	G 2"	AD54.5	48.5	64	16	91	86.5	4

★ 订货编号: #=B(黑色), G(深灰色) Order number: #=B(Black), G(Dark grey)

WQBW1 90° 软管接头 90° Bend Connector

- 材料:尼龙
- 阻燃等级:V2(UL94)
- 颜色:深灰色(RAL 7037),黑色(RAL 9005)
- 温度:-40°C~100°C,短时达120°C
- 防护等级:IP66,使用合适的密封圈(O-ring/FR), (安装规范参考P14页)
- 阻燃性能:自熄灭性好,不含卤素、磷、铜等,通过RoHS测试
- 适配:除重载型WYK软管外的所有软管

- Material: Polyamide
- Flame-retardant: V2(UL94)
- Color: Dark grey (RAL 7037), black (RAL 9005)
- Temperature Range: Min-40°C, max 100°C, short-term 120°C
- IP degree: IP66, use appropriate sealing ring (O-ring/FR), (Refer to page P14 for installation specifications)
- Performance: Self-extinguishing, free of halogen, phosphor and cadmium, passed RoHS
- Fit with: All tubing except WYK tubing



WQBW1-M 公制螺纹 Metric Thread

规格型号 Article No.	螺纹规格 Thread	适配软管规格 Fits To tubing Size	φ I mm	φ B mm	C mm	E mm	D mm	SW1/SW2 mm	包装单位 Packet
WQBW1-M12 #/AD10.0	M12×1.5	AD10.0	6.5	17	12	46	60	12/14	50
WQBW1-M16 #/AD13.0	M16×1.5	AD13.0	9.5	20	12	47	63	14/17	50
WQBW1-M16 #/AD15.8	M16×1.5	AD15.8	10.5	23	12	49	68	15/20	50
WQBW1-M18 #/AD15.8	M18×1.5	AD15.8	10.5	23	12	49	68	15/22	50
WQBW1-M20 #/AD18.5	M20×1.5	AD18.5	14	26	13	53	72	18/22	50
WQBW1-M20 #/AD21.2	M20×1.5	AD21.2	14	29.5	13	55	77	18/22	25
WQBW1-M22 #/AD21.2	M22×1.5	AD21.2	14	29.5	13	55	77	18/22	25
WQBW1-M24 #/AD21.2	M24×1.5	AD21.2	17.5	29.5	13	55	77	22/28	25
WQBW1-M25 #/AD21.2	M25×1.5	AD21.2	17.5	29.5	13	55	77	22/28	25
WQBW1-M25 #/AD28.5	M25×1.5	AD28.5	18	37	13	68	93	22/32	20
WQBW1-M27 #/AD28.5	M27×2.0	AD28.5	18	37	13	68	93	22/32	20
WQBW1-M30 #/AD28.5	M30×2.0	AD28.5	22.5	37	13	68	93	27/36	20
WQBW1-M32 #/AD28.5	M32×1.5	AD28.5	22.5	37	13	68	93	27/36	20
WQBW1-M32 #/AD34.5	M32×1.5	AD34.5	24	44	15	78	112	28/42	10
WQBW1-M33 #/AD34.5	M33×2.0	AD34.5	24	44	15	78	112	28/42	10
WQBW1-M36 #/AD34.5	M36×2.0	AD34.5	24	44	15	78	112	28/42	10
WQBW1-M40 #/AD34.5	M40×1.5	AD34.5	30.5	44	15	78	112	36/46	10
WQBW1-M40 #/AD42.5	M40×1.5	AD42.5	30.5	52	15	81	115	37/50	5
WQBW1-M42 #/AD42.5	M42×2.0	AD42.5	30.5	52	15	81	115	37/50	5
WQBW1-M48 #/AD42.5	M48×2.0	AD42.5	36.5	52	15	81	115	43/55	5
WQBW1-M50 #/AD42.5	M50×1.5	AD42.5	36.5	52	15	81	115	43/55	5
WQBW1-M50 #/AD54.5	M50×1.5	AD54.5	39	64	16	96	130	45/55	4
WQBW1-M56 #/AD54.5	M56×2.0	AD54.5	48.5	64	16	96	130	55/65	4
WQBW1-M60 #/AD54.5	M60×2.0	AD54.5	48.5	64	16	96	130	55/65	4
WQBW1-M63 #/AD54.5	M63×1.5	AD54.5	48.5	64	16	96	130	55/65	4
WQBW1-M64 #/AD54.5	M64×2.0	AD54.5	48.5	64	16	96	130	55/65	4

WQBW1-G G制螺纹 G Thread

规格型号 Article No.	螺纹规格 Thread	适配软管规格 Fits To tubing Size	φ I mm	φ B mm	C mm	E mm	D mm	SW1/SW2 mm	包装单位 Packet
WQBW1-G1/4 #/AD10.0	G1/4"	AD10.0	6.5	17	12	46	60	12/14	50
WQBW1-G3/8 #/AD13.0	G3/8"	AD13.0	9.5	20	12	47	63	14/17	50
WQBW1-G3/8 #/AD15.8	G3/8"	AD15.8	10.5	23	12	49	68	15/20	50
WQBW1-G1/2 #/AD18.5	G1/2"	AD18.5	14	26	13	53	72	18/22	50
WQBW1-G1/2 #/AD21.2	G1/2"	AD21.2	14	29.5	13	55	77	18/22	25
WQBW1-G3/4 #/AD28.5	G3/4"	AD28.5	18	37	13	68	93	22/32	20
WQBW1-G1 #/AD34.5	G1"	AD34.5	24	44	15	78	112	28/42	10
WQBW1-G1 1/4 #/AD42.5	G1 1/4"	AD42.5	30.5	52	15	81	115	37/50	5
WQBW1-G1 1/2 #/AD54.5	G1 1/2"	AD54.5	39	64	16	96	130	45/55	4
WQBW1-G2 #/AD54.5	G2"	AD54.5	48.5	64	16	96	130	55/65	4

★ 订货编号: #=B(黑色), G(深灰色)

Order number: #=B(Black), G(Dark grey)

WQBW 90° 软管接头 90° Bend Connector

- 材料: 尼龙
- 阻燃等级: V2(UL94)
- 颜色: 深灰色(RAL 7037), 黑色(RAL 9005)
- 温度: -40°C~100°C, 短时达120°C
- 防护等级: IP68, 使用合适的密封圈(FR), (安装规范参考P14页)
- 阻燃性能: 自熄灭性好, 不含卤素、磷、镉, 通过RoHS测试
- 适配: 除重载型WYK软管外的所有软管

- Material: Polyamide
- Flame-retardant: V2(UL94)
- Color: Dark grey (RAL 7037), black (RAL 9005)
- Temperature range: Min-40°C, max100°C, short-term 120°C
- IP degree: IP68, using suitable seals (FR)
(Refer to page P14 for installation specifications)
- Flame-retardant: Self-extinguishing, free of halogen, phosphor and cadmium, passed RoHS
- Fit with: All tubing except WYK tubing



WQBW-M 公制螺纹 Metric Thread

规格型号 Article No.	螺纹规格 Thread	适配软管规格 Fits To tubing Size	φI mm	φB mm	C mm	E mm	D mm	SW1/SW2 mm	包装单位 Packet
WQBW-M12 #/AD10.0	M12 × 1.5	AD10.0	6.5	17	12	46	60	12/14	50
WQBW-M16 #/AD13.0	M16 × 1.5	AD13.0	9.5	20	12	47	63	14/17	50
WQBW-M16 #/AD15.8	M16 × 1.5	AD15.8	10.5	23	12	49	68	15/20	50
WQBW-M18 #/AD15.8	M18 × 1.5	AD15.8	10.5	23	12	49	68	15/20	50
WQBW-M20 #/AD18.5	M20 × 1.5	AD18.5	14	26	13	53	72	18/28	50
WQBW-M20 #/AD21.2	M20 × 1.5	AD21.2	14	29.5	13	55	77	18/28	25
WQBW-M22 #/AD21.2	M22 × 1.5	AD21.2	14	29.5	13	55	77	18/28	25
WQBW-M24 #/AD21.2	M24 × 1.5	AD21.2	17.5	29.5	13	55	77	22/28	25
WQBW-M25 #/AD21.2	M25 × 1.5	AD21.2	17.5	29.5	13	55	77	22/28	25
WQBW-M25 #/AD28.5	M25 × 1.5	AD28.5	18	37	13	68	93	22/32	20
WQBW-M27 #/AD28.5	M27 × 2.0	AD28.5	18	37	13	68	93	22/32	20
WQBW-M30 #/AD28.5	M30 × 2.0	AD28.5	22.5	37	13	68	93	27/36	20
WQBW-M32 #/AD28.5	M32 × 1.5	AD28.5	22.5	37	13	68	93	27/36	20
WQBW-M32 #/AD34.5	M32 × 1.5	AD34.5	24	44	15	78	112	28/42	10
WQBW-M33 #/AD34.5	M33 × 2.0	AD34.5	24	44	15	78	112	28/42	10
WQBW-M36 #/AD34.5	M36 × 2.0	AD34.5	24	44	15	78	112	28/42	10
WQBW-M40 #/AD34.5	M40 × 1.5	AD34.5	30.5	44	15	78	112	36/46	10
WQBW-M40 #/AD42.5	M40 × 1.5	AD42.5	30.5	52	15	81	115	37/50	5
WQBW-M42 #/AD42.5	M42 × 2.0	AD42.5	30.5	52	15	81	115	37/50	5
WQBW-M48 #/AD42.5	M48 × 2.0	AD42.5	36.5	52	15	81	115	43/55	5
WQBW-M50 #/AD42.5	M50 × 1.5	AD42.5	36.5	52	15	81	115	43/55	5
WQBW-M50 #/AD54.5	M50 × 1.5	AD54.5	39	64	16	96	130	45/55	4
WQBW-M56 #/AD54.5	M65 × 2.0	AD54.5	48.5	64	16	96	130	55/65	4
WQBW-M60 #/AD54.5	M60 × 2.0	AD54.5	48.5	64	16	96	130	55/65	4
WQBW-M63 #/AD54.5	M63 × 1.5	AD54.5	48.5	64	16	96	130	55/65	4
WQBW-M64 #/AD54.5	M64 × 2.0	AD54.5	48.5	64	16	96	130	55/65	4

WQBW-G G制螺纹 G Thread

规格型号 Article No.	螺纹规格 Thread	适配软管规格 Fits Totubing Size	φI mm	φB mm	C mm	E mm	D mm	SW1/SW2 mm	包装单位 Packet
WQBW-G1/4 #/AD10.0	G1/4"	AD10.0	6.5	17	12	46	60	12/14	50
WQBW-G3/8 #/AD13.0	G3/8"	AD13.0	9.5	20	12	47	63	12/17	50
WQBW-G3/8 #/AD15.8	G3/8"	AD15.8	10.5	23	12	49	68	15/20	50
WQBW-G1/2 #/AD18.5	G1/2"	AD18.5	14	26	13	53	72	18/22	50
WQBW-G1/2 #/AD21.2	G1/2"	AD21.2	14	29.5	13	55	77	18/22	55
WQBW-G3/4 #/AD28.5	G3/4"	AD28.5	18	37	13	68	93	22/32	20
WQBW-G1 #/AD34.5	G1"	AD34.5	24	44	15	78	112	28/42	10
WQBW-G1 1/4 #/AD42.5	G1 1/4"	AD42.5	30.5	52	15	81	115	37/50	5
WQBW-G1 1/2 #/AD54.5	G1 1/2"	AD54.5	39	64	16	96	130	45/55	4
WQBW-G2 #/AD54.5	G2"	AD54.5	48.5	64	16	96	127	55/65	4

★ 订货编号: #=B(黑色), G(深灰色) Order number: #=B(Black), G(Dark grey)

WQBM 90° 软管接头 90° Bend Connector With Metal Thread

- 材料: 尼龙和黄铜镀镍螺纹制成
 - 颜色: 深灰色(RAL 7037), 黑色(RAL 9005)
 - 温度: -40°C~100°C, 短时达120°C
 - 防护等级: IP68, (安装规范参考P14页)
 - 阻燃性能: 自熄灭性好, 不含卤素、磷、镉等, 通过RoHS测试
 - 特性: 极好的抗冲击强度, 极高强度的螺纹连接
 - 适配: 除重载型WYK软管外的所有软管
- 阻燃等级: V2(UL94)
-
- Material: Polyamide with nickel-plated brass thread
 - Color: Dark grey (RAL7037), black (RAL 9005)
 - Temperature range: Min-40 C ,max100 C short-term120 C
 - Flame-retardant: V2(UL94)
 - IP degree: IP68,(Refer to page P14 for installation specifications)
 - Flame-retardant: Self-extinguishing, free of halogen,phosphor and cadmium, passed RoHS
 - Properties: Excellent impact resistance,high-intensive thread connection
 - Fit with: All tubing except WYK tubing



WQBM-M 公制螺纹 Metric Thread

规格型号 Article No.	螺纹规格 Thread Dimension	适配软管规格 Fits to Tubing Size	φ I ID mm	φ B OD mm	C Thread Length	F Total Height	E Total Height	S W Wrench Size	包装单位 Packet
WQBM-M12 #/AD10.0	M12×1.5	AD10.0	7	17	12	46	62	12/19	25
WQBM-M16 #/AD13.0	M16×1.5	AD13.0	9.5	20	12	47	66.5	14/24	25
WQBM-M16 #/AD15.8	M16×1.5	AD15.8	9.5	23	12	48	68	14/23	25
WQBM-M18 #/AD15.8	M18×1.5	AD15.8	9.5	23	12	48	68	14/23	25
WQBM-M20 #/AD18.5	M20×1.5	AD18.5	12.5	26	13	52	74.5	17/30	25
WQBM-M20 #/AD21.2	M20×1.5	AD21.2	13	29.5	10	47	73	18/28	25
WQBM-M20 #-7/AD21.2	M20×1.5	AD21.2	13	29.5	7	44	73	18/28	25
WQBM-M22 #/AD21.2	M22×1.5	AD21.2	13	29.5	10	47	73	18/28	25
WQBM-M24 #/AD21.2	M24×1.5	AD21.2	16	29.5	12	50	77	22/31	25
WQBM-M25 #/AD21.2	M25×1.5	AD21.2	16	29.5	12	50	77	22/31	25
WQBM-M25 #/AD28.5	M25×1.5	AD28.5	17	37	12	67	93	22/34	20
WQBM-M27 #/AD28.5	M27×2.0	AD28.5	17	37	12	67	93	22/34	20
WQBM-M32 #/AD34.5	M32×1.5	AD34.5	24	44	12	75	111	28/40	10
WQBM-M33 #/AD34.5	M33×2.0	AD34.5	24	44	12	75	111	28/40	10
WQBM-M40 #/AD42.5	M40×1.5	AD42.5	31.5	52	17	84.5	116.5	38/51	5
WQBM-M42 #/AD42.5	M42×2.0	AD42.5	31.5	52	17	84.5	116.5	38/51	5
WQBM-M48 #/AD42.5	M48×2.0	AD42.5	37.5	52	17	79.5	115.5	44/59	5
WQBM-M50 #/AD42.5	M50×1.5	AD42.5	37.5	52	17	79.5	115.5	44/59	5
WQBM-M50 #/AD54.5	M50×1.5	AD54.5	37.5	64	17	95.5	127	45/60	4
WQBM-M56 #/AD54.5	M56×2.0	AD54.5	46.5	64	17	95.5	132	54/70	4
WQBM-M60 #/AD54.5	M60×2.0	AD54.5	46.5	64	17	95.5	132	54/70	4
WQBM-M63 #/AD54.5	M63×1.5	AD54.5	46.5	64	17	95.5	132	54/70	4
WQBM-M64 #/AD54.5	M64×2.0	AD54.5	46.5	64	17	95.5	132	54/70	4

WQBM-G G制螺纹 G Thread

规格型号 Article No.	螺纹规格 Thread Dimension	适配软管规格 Fits to Tubing Size	φ I ID mm	φ B OD mm	C Thread Length	F Total Height	E Total Height	S W Wrench Size	包装单位 Packet
WQBM-G1/4 #/AD10.0	G1/4"	AD10.0	7	17	12	46	62	12/19	25
WQBM-G3/8 #/AD13.0	G3/8"	AD13.0	9.5	20	12	47	66.5	14/24	25
WQBM-G3/8 #/AD15.8	G3/8"	AD15.8	9.5	23	12	48	68	14/23	25
WQBM-G1/2 #/AD18.5	G1/2"	AD18.5	12.5	26	13	52	74.5	17/30	25
WQBM-G1/2 #/AD21.2	G1/2"	AD21.2	13	29.5	10	47	73	18/28	25
WQBM-G3/4 #/AD28.5	G3/4"	AD28.5	17	37	12	67	93	22/34	20
WQBM-G1 #/AD34.5	G1"	AD34.5	24	44	12	75	111	28/40	10
WQBM-G1 1 #/AD42.5	G1 1/4"	AD42.5	31.5	52	17	84.5	116.5	28/51	5
WQBM-G1 1/2 #/AD54.5	G1 1/2"	AD54.5	37.5	64	17	95.5	127	45/60	4
WQBM-G2 #/AD54.5	G2"	AD54.5	46.5	64	17	95.5	132	54/70	4

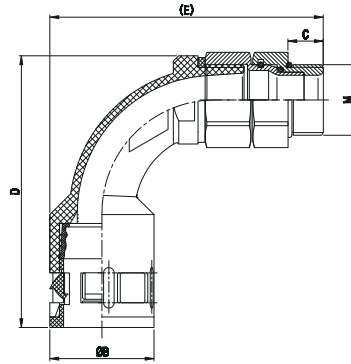
★ 订货编号: #=B(黑色), G(深灰色)

Order number: #=B(Black), G(Dark grey)

WQBWPT 90°带旋转软管接头 90° Swivel Bend Connector

- 材料: 尼龙和黄铜镀镍螺纹制成
- 颜色: 深灰色(RAL 7037), 黑色(RAL 9005)
- 温度: -40°C~100°C
- 防护等级: IP68, (安装规范参考P14页)
- 阻燃等级: V2(UL94)
- 适配: 除重载型WYK软管外的所有软管。其余型号均可开发

- Material: Polyamide with nickel-plated brass thread
- Color: Dark grey (RAL7037), black (RAL 9005)
- Temperature range: Min-40 C ,max100 C
- IP degree: IP68,(Refer to page P14 for installation specifications)
- Flame-retardant: V2(UL94)
- Fit with: All tubing except WYK tubing

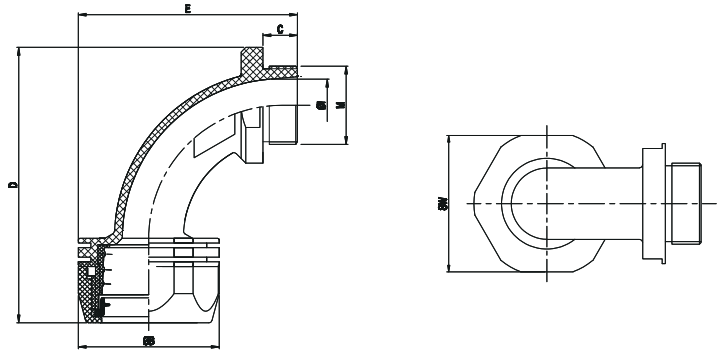


规格型号 Article No.	螺纹规格 Thread Dimension	适配软管规格 Fits to Tubing Size	螺纹长度C Thread Length	φB mm	D mm	(E) mm	包装单位 Packet
WQBWPT-M20 #/AD21.2	M20×1.5	AD21.2	10	29.5	77	77.5	10
WQBWPT-M25 #/AD28.5	M25×1.5	AD28.5	12	37	93	95.5	10
WQBWPT-M32 #/AD34.5	M32×1.5	AD34.5	12	44	112	104	5
WQBWPT-M40 #/AD34.5	M40×1.5	AD34.5	15	44	112	112	5
WQBWPT-M40 #/AD42.5	M40×1.5	AD42.5	15	52	115	115	5

★ 订货编号: #=B(黑色), G(深灰色) Order number: #=B(Black), G (Dark grey)

WQBGD 90°锁紧软管接头 90° Bend Connector With Strain Relief

- 材料: 尼龙
- 颜色: 深灰色(RAL 7037), 黑色(RAL 9005)
- 温度: -40°C~100°C
- 防护等级: IP69K
- 阻燃等级: V2(UL94)
- 性能: 安装方便、高强度螺纹连接, 高的防水性能, 高的可靠性及抗震能力。适用于我司普通软管, 更适合重载型WYK软管。其余型号均可开发

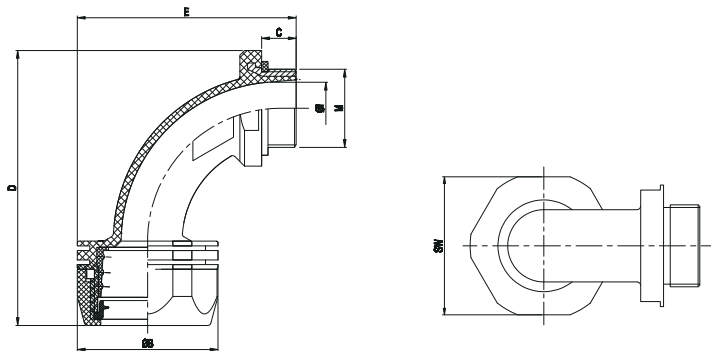


- Material: Polyamide
- Color: Dark grey (RAL7037), black (RAL 9005)
- Temperature range: Min-40 °C ,max100 °C
- Flame-retardant: V2(UL94)
- IP degree: IP69K
- Performance: Easy installation, high-strength threaded connection, high waterproof performance, high reliability and seismic resistance.Suitable for our company's ordinary tubings, more suitable for heavy-duty WYK tubings.Other models can be developed

规格型号 Article No.	螺纹规格 Thread Dimension	适配软管规格 Fits to Tubing Size	螺纹长度C Thread Length	φB mm	D mm	(E) mm	扳手尺寸 Wrench Size
* WQBGD-M20 #/AD21.2	M20×1.5	AD21.2	10	37	68.5	50.7	34
* WQBGD-M25 #-11/AD28.5	M25×1.5	AD28.5	11	45	88	70	42

WQBGDM 90°金属螺纹锁紧软管接头 90° Bend Metal Thread Connector With Strain Relief

- 材料: 尼龙和青铜镀镍螺纹制成
- 颜色: 深灰色(RAL 7037), 黑色(RAL 9005)
- 温度: -40°C~100°C
- 防护等级: IP69K
- 阻燃等级: V2(UL94)
- 性能: 安装方便、高强度螺纹连接, 高的防水性能, 高的可靠性及抗震能力。适用于我司普通软管, 更适合重载型WYK软管。其余型号均可开发



- Material: Polyamide with nickel-plated brass thread
- Color: Grey (RAL7037), black (RAL 9005)
- Temperature range: Min-40 °C ,max100 °C
- IP degree: IP69K
- Flame-retardant: V2(UL94)
- Performance: Easy installation, high-strength threaded connection, high waterproof performance, high reliability and seismic resistance.Suitable for our company's ordinary tubings, more suitable for heavy-duty WYK tubings.Other models can be developed

规格型号 Article No.	螺纹规格 Thread Dimension	适配软管规格 Fits to Tubing Size	螺纹长度C Thread Length	φB mm	D mm	(E) mm	扳手尺寸 Wrench Size
* WQBGDM-M20 #/AD21.2	M20×1.5	AD21.2	10	37	68.5	50.7	34
* WQBGDM-M25 #-11/AD28.5	M25×1.5	AD28.5	11	45	88	70	42

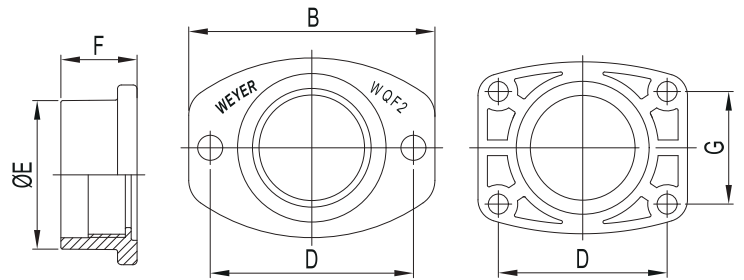
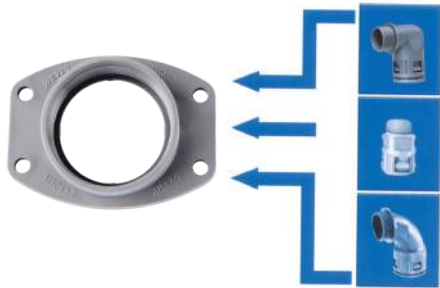
★ 订货编号: #-B(黑色), G(深灰色) Order number: #-B(Black), G(Dark grey)

所有打*暂未开发 All article No. marked * hasn't been developed

WQF2-M 法兰式环 Flange

- 颜色: 深灰色(RAL 7037), 黑色(RAL 9005)
- 防护等级: IP67
- 性能: 自熄灭性好, 不含卤素、磷、镉等, 通过RoHS测试
- 特性: 法兰式环与普通软管接头或直角软管接头相配组成法兰式软管接头

- Color: Dark grey (RAL 7037), black (RAL 9005)
- IP degree: IP67
- Performance: Self-extinguishing, free of halogen, phosphor and cadmium, passed RoHS
- Properties: flange with general connector or elbow connector makes the flange connector



规格型号 Article No.	螺纹规格 Thread Dimension	B/C mm Flange measure ments	D Bore Distance mm	G Bore Distance mm	φ Flange Bores mm	E Larges Length mm	F Total Height mm	包装单位 Packet
WQF2-M25 #	M25×1.5	46/32	36	-	5.4	30	16	50
WQF2-M32 #	M32×1.5	63/45	52	-	6.6	38	19	25
WQF2-M40 #	M40×1.5	67/55	54	36	6.6	55	18.5	10
WQF2-M50 #	M50×1.5	86/64	73	30	6.6	55	20	10
WQF2-M63 #	M63×1.5	86/70	73	30	6.6	68	20	5

★ 订货编号: #=B(黑色), G(深灰色) Order number: #=B(Black), G(Dark grey)



WQSC 带盖固定座 Tubing Clamp

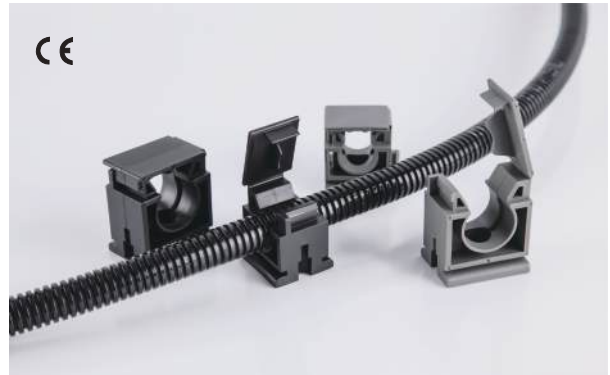
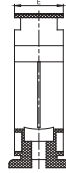
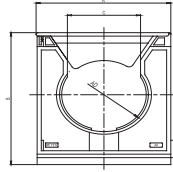
- 材料: 尼龙
- 阻燃等级: V2(UL94)
- 颜色: 深灰色(RAL 7037), 黑色(RAL 9005)
- 温度: -30°C~100°C短时达到120°C
- 性能: 自熄灭性好, 不含卤素、磷、镉等,通过RoHS测试, 适用于软管固定

- Material: Polyamide
- Flame-retardant: V2(UL94)
- Color: Dark grey (RAL 7037), black (RAL 9005)
- Temperature range: Min-30°C,max100°C,short-term120°C
- Performance: Self-extinguishing, free of halogen,phosphor and cadmium,passed RoHS,for fixing the conduits

★ 建议开口管不使用此类固定座

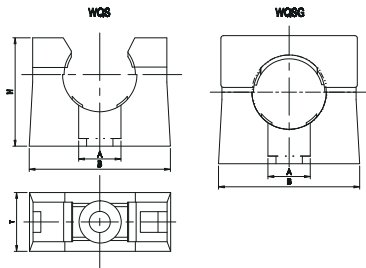
★ 订货编号: #=B(黑色), G(深灰色)

Order number: #=B(Black), G (Dark grey)



规格型号 Article No.	适配软管AD Fits to Tubing size	A mm	B mm	C mm	E mm	安装螺钉 Fixing Screw mm	包装单位 Packet
WQSC-AD10.0 #	AD10.0	21.5	23.5	8.2	20	M4	50
WQSC-AD13.0 #	AD13.0	26	29.5	10.5	20	M5	50
WQSC-AD15.8 #	AD15.8	26	29.5	11.7	20	M5	50
WQSC-AD18.5 #	AD18.5	32	37	14	20	M5	50
WQSC-AD21.2 #	AD21.2	32	37	16.6	20	M5	50
WQSC-AD28.5 #	AD28.5	43	50	22	20	M5	25
WQSC-AD34.5 #	AD34.5	43	51	25.5	20	M6	25
WQSC-AD42.5 #	AD42.5	64	77	35	20	M6	10
WQSC-AD54.5 #	AD54.5	64	77	40	20	M6	10

WQS/WQSG 固定座 Tubing Clamp



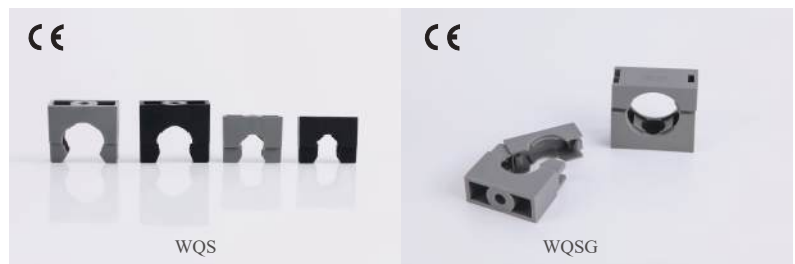
- 材料: 尼龙
- 颜色: 深灰色(RAL 7037), 黑色(RAL 9005)
- 温度: -30°C~100°C短时达到120°C
- 阻燃等级: V2(UL94)
- 性能: 自熄灭性好, 不含卤素、磷、镉,通过RoHS测试, 适用于软管固定

- Material: Polyamide
- Color: Dark grey (RAL 7037), black (RAL 9005)
- Temperature range: Min-30°C,max100°C,short-term120°C
- Flame-retardant: V2(UL94)
- Performance: Self-extinguishing, free of halogen, phosphor and cadmium,passed RoHS,for fixing the conduits.

★ 订货编号: #=B(黑色), G(深灰色)

Order number: #=B(Black), G (Dark grey)

WQS固定座如图加上盖, 规格为 WQSG 轻型带盖固定座
Adding the cap to WQS, it becomes WQSG light-duty tubing clamp



规格型号 Article No.	适配软管AD Fits to Tubing size	A mm	B mm	H mm	T mm	安装螺钉 Fixing Screw mm	包装单位 Packet
WQS-AD10.0 #	AD10.0	7.5	25	23	12.5	M4	50
WQS-AD13.0 #	AD13.0	9	30	23	13	M5	50
WQS-AD15.8 #	AD15.8	9	30	23	12.5	M5	50
WQS-AD18.5 #	AD18.5	9	35	30	15	M5	50
WQS-AD21.2 #	AD21.2	11.6	35	30	15	M6	50
WQS-AD25.5 #	AD25.5	11.5	40	33.6	16	M6	50
WQS-AD28.5 #	AD28.5	11.7	42	38	16	M6	50
WQS-AD31.5 #	AD31.5	11.5	50	40	16	M6	25
WQS-AD34.5 #	AD34.5	11.5	51	43	16.3	M6	25
WQS-AD42.5 #	AD42.5	11.8	59	51	18	M6	25
WQS-AD54.5 #	AD54.5	11.6	72	65	20	M6	25

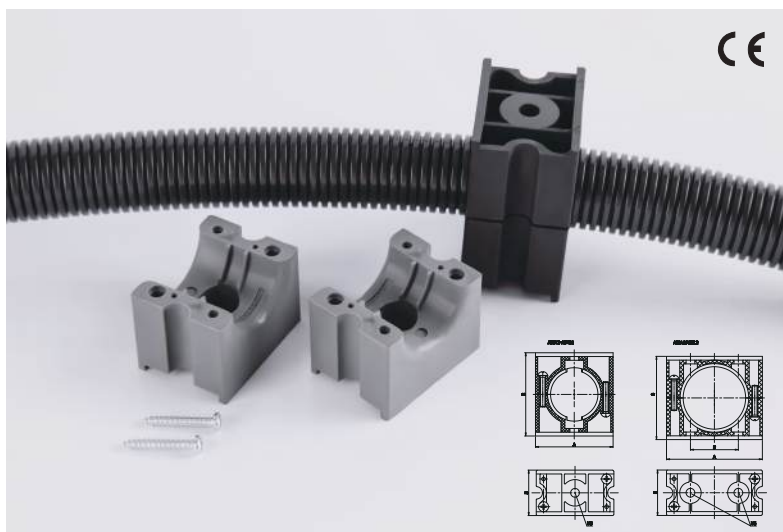
★ 建议开口管不使用此类固定座

WQSD 重型带盖固定座 Heavy-Duty Tubing Clamp

- 材料: 尼龙
- 颜色: 深灰色(RAL 7037), 黑色(RAL 9005)
- 温度: -30°C~100°C, 短时达到120°C
- 阻燃等级: V2(UL94)
- 性能: 自熄灭性好, 不含卤素、磷、镉, 通过RoHS测试

- Material: Polyamide
- Color: Dark grey (RAL 7037), black (RAL 9005)
- Temperature range: Min-30 C ,max100 C ,short-term120 C
- Flame-retardant: V2(UL94)
- Performance: Self-extinguishing, free of halogen, phosphor and cadmium, passed RoHS

★ 订货编号: #=B(黑色)、G(深灰色)
Order number: #=B(Black), G(Dark grey)



规格型号 Article No.	适配软管AD Fits to Tubing Size	A mm	B mm	C mm	D mm	包装单位 Packet
WQSD-AD21.2 #	AD21.2	47.5	36	66	-	5
WQSD-AD28.5 #	AD28.5	47.5	36	66	-	5
WQSD-AD34.5 #	AD34.5	61.5	36	66	-	5
WQSD-AD42.5 #	AD42.5	61.5	36	66	-	5
WQSD-AD54.5 #	AD54.5	76	36	66	38	5
WQSD-AD67.2 #	AD67.2	87	36	78	52	5

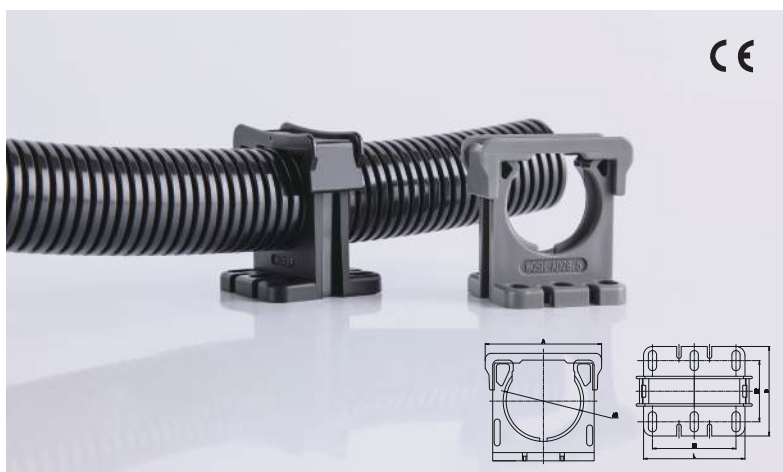
WQSH 六孔固定座 Tubing Clamp With Six Holes

- 材料: 尼龙
- 颜色: 深灰色(RAL 7037), 黑色(RAL 9005)
- 温度: -30°C~100°C, 短时达到120°C
- 阻燃等级: V2(UL94)
- 性能: 自熄灭性好, 不含卤素、磷、镉等, 通过RoHS测试, 适用于软管固定

- Material: Polyamide
- Color: Dark grey (RAL 7037), black (RAL 9005)
- Temperature range: Min-30 C ,max100 C
- Flame-retardant: V2(UL94)
- Performance: Self-extinguishing, free of halogen, phosphor and cadmium, passed RoHS, for fixing the conduits

★ 建议开口管不使用此类固定座

★ 订货编号: #=B(黑色)、G(深灰色)
Order number: #=B(Black), G(Dark grey)



规格型号 Article No.	适配软管AD Fits to Tubing Size	A mm	B mm	D1 mm	D2 mm	L mm	安装螺钉 Fixing Screw mm	包装单位 Packet
WQSH-AD21.2 #	AD21.2	36	36	25.5	23.5	35	6×M5	50
WQSH-AD28.5 #	AD28.5	44	36	25.5	23.5	35	6×M5	50
WQSH-AD34.5 #	AD34.5	52	40	35	25	46	6×M5	10
WQSH-AD42.5 #	AD42.5	63	60	41	41	53	6×M5	10
WQSH-AD54.5 #	AD54.5	78	60	56	41	68	6×M5	10

WQE 软管闷头 End Cap For Tubing

- 材料:TPE
- 颜色: 深灰色(RAL 7037), 黑色(RAL 9005)
- 温度: -40°C~120°C, 短时达到150°C
- 防护等级: IP66
- 性能: 用于软管端口处电缆的密封和保护

- Material: TPE
- Color: Dark grey (RAL 7037), black (RAL 9005)
- Temperature range: Min-40°C, max120°C, short-term150°C
- IP degree: IP66
- Properties: Used for sealing and protection of cables at tubing ends

★ 订货编号: #=B(黑色)、G(深灰色)
Order number: #=B(Black), G(Dark grey)



规格型号 Article No.	适配软管AD Fits to Tubing Size	线径范围 For Cable Cross Section mm	内孔长度D Length of inner Hole mm	总长度D1 Total Length mm	包装单位 Packet
WQE-AD10.0 #	AD10.0	2~8	26.5	29	50
WQE-AD13.0 #	AD13.0	3~10	28	29.5	50
WQE-AD15.8 #	AD15.8	4~12	35	36.5	50
WQE-AD18.5 #	AD18.5	4~13	35.5	37.5	50
WQE-AD21.2 #	AD21.2	6~16.5	36	37.5	50
WQE-AD25.5 #	AD25.5	6~21	37.5	39.2	20
WQE-AD28.5 #	AD28.5	6~23	38.5	40.2	20
WQE-AD31.5 #	AD31.5	6~26	39	42	20
WQE-AD34.5 #	AD34.5	7~29	42	44.2	20
WQE-AD42.5 #	AD42.5	10~37	43.5	46	10
WQE-AD54.5 #	AD54.5	10~47	50	52	5

WQA 软管保护套 End Cap

- 材料: 尼龙
- 颜色: 深灰色(RAL 7037), 黑色(RAL 9005)
- 温度: -40°C~100°C, 短时达到120°C
- 性能: 用于软管端口处电缆的保护
- 阻燃等级: V2(UL94)

- Material: Polyamide
- Color: Dark grey (RAL 7037), black (RAL 9005)
- Temperature range: Min-40°C, max100°C, short-term120°C
- Properties: for the protection of the cable of the tubing end
- Flame-retardant: V2(UL94)

★ 订货编号: #=B(黑色)、G(深灰色)
Order number: #=B(Black), G(Dark grey)

注: 可开发阻燃等级V0(UL94)的产品
The products of flame retardant grade V0 can be developed



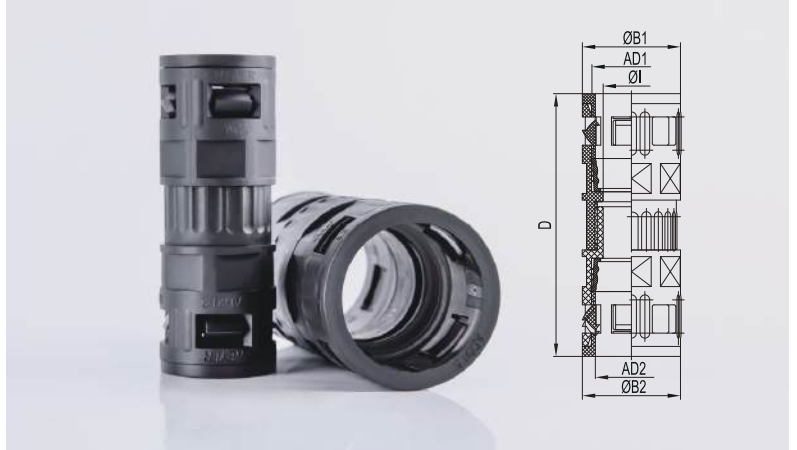
规格型号 Article No.	适配软管AD Fits to Tubing Size	φI(内径) ID mm	φB(外径) OD mm	D(高度) Height mm	包装单位 Packet
WQA-AD10.0 #	AD10.0	4.3	12	20	50
WQA-AD13.0 #	AD13.0	7.8	15	21	50
WQA-AD15.8 #	AD15.8	10.3	17.8	20	50
WQA-AD18.5 #	AD18.5	12.1	20.5	21	50
WQA-AD21.2 #	AD21.2	14.3	23.2	21	50
WQA-AD25.5 #	AD25.5	18.8	27.5	21	25
WQA-AD28.5 #	AD28.5	20.8	30.5	22	25
WQA-AD31.5 #	AD31.5	23.8	33.5	22	25
WQA-AD34.5 #	AD34.5	26.8	36.5	22	25
WQA-AD42.5 #	AD42.5	33.8	44.5	25	25
WQA-AD54.5 #	AD54.5	45.8	56.5	25	10
WQA-AD67.2 #	AD67.2	54	69.2	36	5

WQK-PA 软管连接件 Plastic Coupling

- 材料: 尼龙
- 颜色: 深灰色(RAL 7037), 黑色(RAL 9005)
- 温度: -40°C~100°C, 短时达到120°C
- 防护等级: IP68
- 阻燃等级: V2(UL94)
- 用途: 用于两段软管之间的连接, 非常高的抗拉强度

- Material: Polyamide
- Color: Dark grey (RAL 7037), black (RAL 9005)
- Temperature range: Min-40 °C, max100 °C, short-term120 °C
- IP degree: IP68
- Flame-retardant: V2(UL94)
- Application: For the connection between two sections of tubing, very high tensile strength

★ 订货编号: #=B(黑色)、G(深灰色)
Order number: #=B(Black), G(Dark grey)



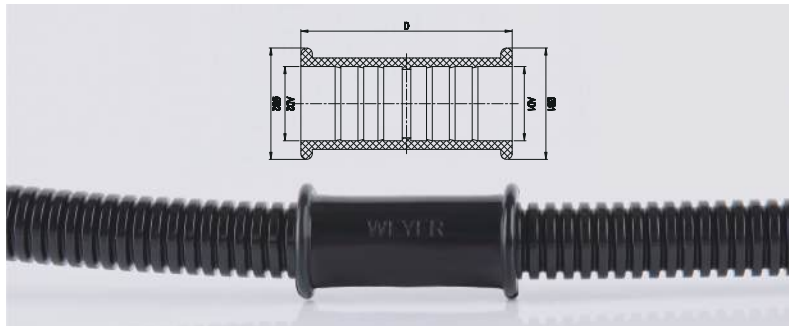
规格型号 Article No.	适配软管 AD Fits to Tubing Size	φl mm	φB1 mm	φB2 mm	D mm	包装单位 Packet
WQK-PA-AD10.0 #	AD10.0-10.0	7	17	17	59	20
WQK-PA-AD13.0 #	AD13.0-13.0	10	20	20	63	20
WQK-PA-AD15.8 #	AD15.8-15.8	12	23	23	68.5	10
WQK-PA-AD18.5 #	AD18.5-18.5	14.5	26	26	72	10
WQK-PA-AD21.2 #	AD21.2-21.2	17	29.5	29.5	79	10
WQK-PA-AD25.5 #	AD25.5-25.5	20.5	34	34	82.5	10
WQK-PA-AD28.5 #	AD28.5-28.5	23.5	37	37	84	10
WQK-PA-AD31.5 #	AD31.5-31.5	26	41	41	89	10
WQK-PA-AD34.5 #	AD34.5-34.5	30	44	44	92	10
WQK-PA-AD42.5 #	AD42.5-42.5	36.5	52	52	104	5
WQK-PA-AD54.5 #	AD54.5-54.5	48	64	64	107.5	2

WQK 软管连接件 Plastic Coupling

- 材料: 丁腈橡胶
- 颜色: 深灰色(RAL 7037), 黑色(RAL 9005)
- 温度: -40°C~120°C, 短时达到150°C
- 防护等级: IP66
- 用途: 用于两段软管之间的连接

- Material: Nitrile Rubber
- Color: Dark grey (RAL 7037), black (RAL 9005)
- Temperature range: Min-40 °C, max120 °C, short-term 150 °C
- IP degree: IP66
- Application: For connection between two sections of tubing

★ 订货编号: #=B(黑色)、G(深灰色)
Order number: #=B(Black), G(Dark grey)
所有打*暂未开发
All article No. marked * hasn't been developed



规格型号 Article No.	适配软管 AD1 Fits to Tubing Size	适配软管 AD2 Fits to Tubing Size	外径1 φB1 mm	外径2 φB2 mm	Total length D mm	包装单位 Packet
* WQK-AD10.0/10.0 #	AD10.0	AD10.0	17.5	17.5	33.5	100
WQK-AD13.0/13.0 #	AD13.0	AD13.0	19.5	19.5	37	100
* WQK-AD15.8/15.8 #	AD15.8	AD15.8	23	23	44.5	50
* WQK-AD18.5/18.5 #	AD18.5	AD18.5	26.5	26.5	48	50
* WQK-AD21.2/21.2 #	AD21.2	AD21.2	29.5	29.5	46	25
WQK-AD28.5/28.5 #	AD28.5	AD28.5	36.5	36.5	46	25
* WQK-AD28.5/34.5 #	AD28.5	AD34.5	42.5	36.5	48	25
* WQK-AD34.5/34.5 #	AD34.5	AD34.5	42.5	42.5	48	25
* WQK-AD 42.5/42.5 #	AD42.5	AD42.5	51	51	60	10
* WQK-AD54.5/54.5 #	AD54.5	AD54.5	63	63	70	10

WQGR 软管连接件 Plastic Connector

- 材料: 尼龙
- 颜色: 深灰色(RAL 7037), 黑色(RAL 9005)
- 温度: -40°C~100°C, 短时达到120°C
- 防护等级: IP68
- 阻燃性能: 自熄灭性好; 不含卤素、磷、镉等, 通过ROHS认证
- 特性: WQGR的AD2外端与WQK-PA两通/WQT-PA及WQY-PA三通配合使用, 可适合更多尺寸的软管

- Material: Polyamide
- Color: Dark grey (RAL 7037), black (RAL 9005)
- Temperature range: Min-40 C ,max100 C ,short-term120 C
- IP degree: IP68
- Flame-retardant: Self-extinguishing, free of halogen, phosphor and cadmium, passed RoHS
- Properties: You can connect AD2 of WQGR with WQK-PA, WQT-PA and WQY-PA for more tubings of different size

- ★ 订货编号: #=B(黑色)、G(深灰色)
 Order number: #=B(Black), G(Dark grey)
 所有打*暂未开发
 All article No. marked * hasn't been developed



规格型号 Article No.	软管规格 AD1 Fits to Tubing Size	软管规格 AD2 Fits to Tubing Size	外径 ΦB mm	内径 ΦI mm	总长 Total length D mm	包装单位 Packet
WQGR-13.0/10.0 #	AD10.0	AD13.0	17	7	50	10
WQGR-15.8/13.0 #	AD13.0	AD15.8	20	10	54	10
WQGR-21.2/13.0 #	AD13.0	AD21.2	20	10	58	10
WQGR-21.2/15.8 #	AD15.8	AD21.2	23	12.5	60.5	10
WQGR-28.5/13.0 #	AD13.0	AD28.5	20	10	61	10
WQGR-28.5/15.8 #	AD15.8	AD28.5	23	12.5	60	10
WQGR-28.5/21.2 #	AD21.2	AD28.5	29.5	17	64.5	10
WQGR-34.5/15.8 #	AD15.8	AD34.5	23	12.5	66.5	10
WQGR-34.5/21.2 #	AD21.2	AD34.5	29.5	17	70	10
WQGR-34.5/28.5 #	AD28.5	AD34.5	37	23.5	70	10
WQGR-42.5/34.5 #	AD34.5	AD42.5	44	30	75	10
WQGR-54.5/21.2 #	AD21.2	AD54.5	29.5	17	86	5
WQGR-54.5/42.5 #	AD42.5	AD54.5	52	37.5	84	5

WQN 软管保护环 Plastic Coupling

- 材料: 尼龙
- 颜色: 深灰色(RAL 7037), 黑色(RAL 9005)
- 温度: -40°C~100°C, 短时达到120°C
- 产品性能: 自灭性能好, 不含卤素、磷、镉, 通过RoHS测试
- 应用场合: 适合于应用在经常振动和旋转的场合能够很好地保护软管内部的电线电缆

- Material: Polyamide
- Color: Dark grey (RAL 7037), black (RAL 9005)
- Temperature range: Min-40 C ,max100 C ,short-term120 C
- Properties: Apply to frequently vibrative and revolving situation, can perfectly protect the cable inside the conduit
- Application: Suitable for use in situations of frequent vibration and rotation to protect the wires and cables inside the tubing

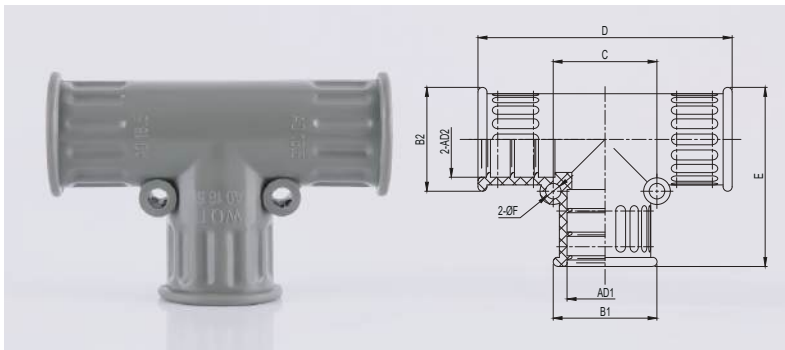
- ★ 订货编号: #=B(黑色)、G(深灰色)
 Order number: #=B(Black), G(Dark grey)



规格型号 Article No.	适配软管 AD Fits to Tubing Size	A mm	B mm	C mm	D mm	包装单位 Packet
WQN-AD21.2 #	AD21.2	26	34	27.5	32	50
WQN-AD28.5 #	AD28.5	26	34	34	39.5	25
WQN-AD34.5 #	AD34.5	26	34	41	47	25
WQN-AD42.5 #	AD42.5	26	34	49	55	10
WQN-AD54.5 #	AD54.5	26	34	60.5	66.5	10
WQN-AD80 #	AD80	30	38	88	93.5	5

WQT T型三通 T-Distributor

- 材料: 丁腈橡胶
 - 颜色: 深灰色(RAL 7037), 黑色(RAL 9005)
 - 温度: -40°C~100°C, 短时达到120°C
 - 防护等级: IP66
-
- Material: Nitrile rubber
 - Color: Dark grey (RAL 7037), black (RAL 9005)
 - Temperature range: Min-40 C ,max120 C ,short-term150 C
 - IP degree: IP66



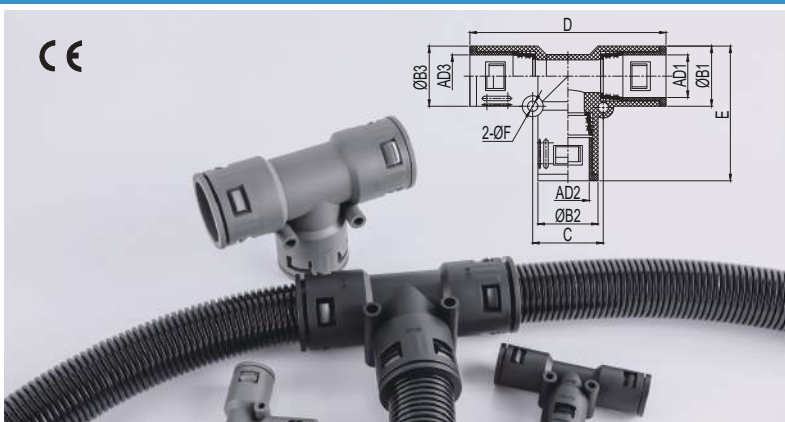
规格型号 Article No.	软管1 AD1 mm	软管2 AD2 mm	外径1 φB1 mm	外径2 φB2 mm	总长 Total Length E mm	总宽 Total Width D mm	安装孔 Mounting Hole F mm	孔距 Pitch of Hole C mm	包装单位 Packet
WQT-AD10.0/2×10.0 #	10.0	2×10.0	17	17	32	46.5	2×4	15.5	50
WQT-AD13.0/2×13.0 #	13.0	2×13.0	21	21	36	51	2×4	20	25
WQT-AD15.8/2×15.8 #	15.8	2×15.8	24	24	43	62	2×4.5	24	25
WQT-AD18.5/2×18.5 #	18.5	2×18.5	26.3	26.3	48.5	71	2×4.5	26.5	25
WQT-AD21.2/2×21.2 #	21.2	2×21.2	29	29	50	71	2×4.5	29	10
* WQT-AD28.5/2×21.2 #	28.5	2×21.2	36.5	32	51	78	2×4.5	38.5	10
WQT-AD15.8/2×28.5 #	15.8	2×28.5	24	36.5	56	76	2×4.5	24	10
WQT-AD28.5/2×28.5 #	28.5	2×28.5	36.5	36.5	58	80	2×4.5	38	10
* WQT-AD34.5/2×28.5 #	34.5	2×28.5	43	36.5	57.5	83.5	2×4.5	42	5
WQT-AD34.5/2×34.5 #	34.5	2×34.5	43	43	64	85	2×4.5	42	5
WQT-AD42.5/2×42.5 #	42.5	2×42.5	53	53	75	96.5	2×4.5	52.8	5

★ 订货编号: #=B(黑色)、G(深灰色) Order number: #=B(Black),G(Dark grey)

所有打*暂未开发 All article No. marked * hasn't been developed

WQT-PA T型三通 Plastic T-Distributor

- 材料: 尼龙
 - 颜色: 深灰色(RAL 7037), 黑色(RAL 9005)
 - 温度: -40°C~100°C, 短时达到120°C
 - 防护等级: IP68
-
- Material: Polyamide
 - Color: Dark grey (RAL 7037), black (RAL 9005)
 - Temperature range: Min-40 C ,max100 C ,short-term120 C
 - IP degree: IP68



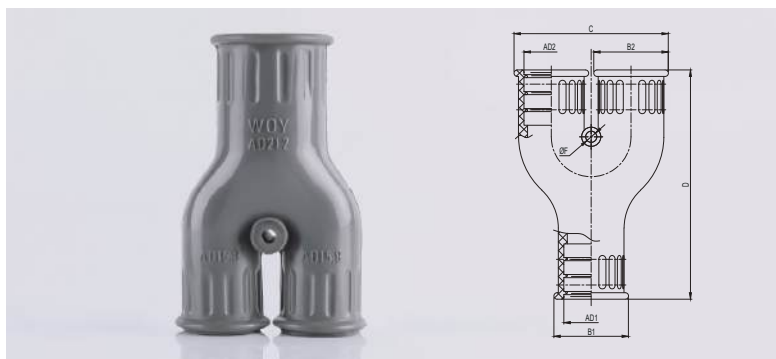
规格型号 Article No.	软管2 AD2 mm	软管1/3 AD1/3 mm	外径2 φB2 mm	外径1/3 φB1/3 mm	总长 Total Length E mm	总宽 Total Width D mm	安装孔 Mounting Hole φF mm	孔距 Pitch of Hole C mm	包装单位 Packet
WQT-PA-AD13.0/2×13.0 #	13.0	2×13.0	20	20	46.5	71	2×4	20	25
WQT-PA-AD15.8/2×15.8 #	15.8	2×15.8	23	23	51.5	80	2×4	23	25
WQT-PA-AD21.2/2×21.2 #	21.2	2×21.2	29.5	29.5	66	93.5	2×6.5	27	10
WQT-PA-AD28.5/2×21.2 #	28.5	2×21.2	37	29.5	68.2	99.5	2×6.5	34	10
WQT-PA-AD28.5/2×28.5 #	28.5	2×28.5	37	37	75	106	2×6.5	35	10
WQT-PA-AD34.5/2×34.5 #	34.5	2×34.5	44	44	85	119	2×6.5	43	5
WQT-PA-AD34.5/2×28.5 #	34.5	2×28.5	44	37	78	113	2×6.5	42	5
WQT-PA-AD42.5/2×42.5 #	42.5	2×42.5	52	52	94	134	2×6.5	50	5
WQT-PA-AD54.5/2×54.5 #	54.5	2×54.5	64	64	105	146	2×6.5	61	2

★ 订货编号: #=B(黑色)、G(深灰色) Order number: #=B(Black),G(Dark grey)

WQY Y型三通 Y-Distributor

- 材料: 丁腈橡胶
- 颜色: 深灰色(RAL 7037), 黑色(RAL 9005)
- 温度: -40°C~100°C, 短时达到120°C
- 防护等级: IP66

- Material: Nitrile rubber
- Color: Dark grey (RAL 7037), black (RAL 9005)
- Temperature range: Min-40 °C, max120 °C, short-term150 °C
- IP degree: IP66



规格型号 Article No.	软管1 AD1 mm	软管2 AD2 mm	外径1 φB1 mm	外径2 φB2 mm	总长 Total Length D mm	总宽 Total Width C mm	安装孔 Mounting Hole φF mm	包装单位 Packet
* WQY-AD 10.0/2×10.0 #	10.0	2×10.0	17.5	17.5	54.5	36.5	1×4	25
WQY-AD 21.2/2×15.8 #	21.2	2×15.8	29.5	24	75	52	1×4	25
* WQY-AD 28.5/2×15.8 #	28.5	2×15.8	36.5	25	75	52	1×4	20
WQY-AD 18.5/2×18.5 #	18.5	2×18.5	26.5	26.5	81	54.5	1×4	20
WQY-AD 21.2/2×21.2 #	21.2	2×21.2	31	31	75	64.5	1×4	10
WQY-AD 28.5/2×21.2 #	28.5	2×21.2	36.5	29.5	81	60.5	1×4	10
WQY-AD 34.5/2×28.5 #	34.5	2×28.5	42.5	36.5	86	77	1×4	5
WQY-AD 42.5/2×34.5 #	42.5	2×34.5	52.5	42.5	98.5	89	1×4	5
* WQY-AD 54.5/2×42.5 #	54.5	2×42.5	65.5	52.5	116	109.5	1×4	5

★ 订货编号: #=B(黑色)、G(深灰色) Order number: #=B(Black), G(Dark grey)

WQY-PA Y型三通 Plastic Y-Distributor

- 材料: 尼龙
- 颜色: 深灰色(RAL 7037), 黑色(RAL 9005)
- 温度: -40°C~100°C, 短时达到120°C
- 防护等级: IP68

- Material: Polyamide
- Color: Dark grey (RAL 7037), black (RAL 9005)
- Temperature range: Min-40 °C, max115 °C, short-term150 °C
- IP degree: IP68



规格型号 Article No.	软管1 AD1 mm	软管2 AD2 mm	外径 φB1 mm	外径 φB2 mm	总长 Total Length D mm	总宽 Total Width C mm	安装孔 Mounting Hole φF mm	孔间距 Pitch of Hole E mm	包装单位 Packet
WQY-PA 13.0/2×10.0 #	13.0	2×10.0	20	17	68	36	1×4	-	25
WQY-PA 13.0/2×13.0 #	13.0	2×13.0	20	20	70	42	1×4	-	25
WQY-PA 15.8/2×13.0 #	15.8	2×13.0	23	20	71	42	1×4	-	25
WQY-PA 15.8/2×15.8 #	15.8	2×15.8	23	23	79	47	1×4	-	25
WQY-PA 21.2/2×13.0 #	21.2	2×13.0	29.5	20	73.5	42	1×4	-	25
WQY-PA 21.2/2×15.8 #	21.2	2×15.8	29.5	23	87	47	2×6.5	33	20
WQY-PA 28.5/2×21.2 #	28.5	2×21.2	37	29.5	99	60	2×6.5	38.5	10
WQY-PA 34.5/2×28.5 #	34.5	2×28.5	44	37	105	75	2×6.5	47	5
WQY-PA 42.5/2×34.5 #	42.5	2×34.5	52	44	126	90	2×6.5	48.5	5
WQY-PA 54.5/2×42.5 #	54.5	2×42.5	64	52	130	106	2×6.5	62	5

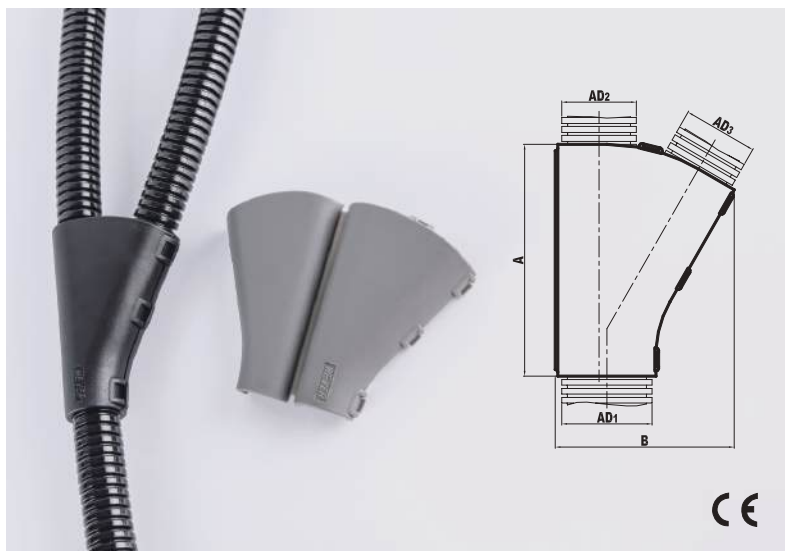
★ 订货编号: #=B(黑色)、G(深灰色) Order number: #=B(Black), G(Dark grey)

所有打*暂未开发 All article No. marked * hasn't been developed

SVY 可开式 V 型三通 Openable V-Distributor

- 材料: PA
- 颜色: 深灰色(RAL 7037), 黑色(RAL 9005)
- 温度: -30°C~100°C, 短时达到120°C
- 防护等级: IP40
- 性价比: 价格便宜, 装拆方便

- Material: PA
- Color: Dark grey (RAL 7037), black (RAL 9005)
- Temperature range: Min-30 °C ,max100 °C ,short-term120 °C
- IP degree: IP40
- Cost effective: easy to install and disassemble.



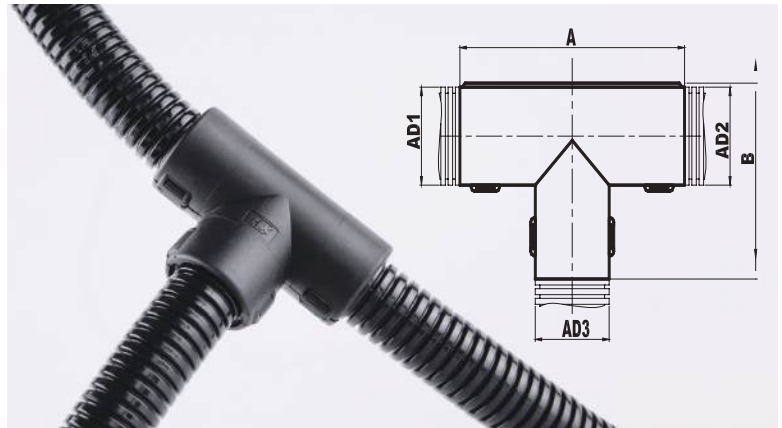
规格型号 Article No. 灰色Grey	规格型号 Article No. 黑色Black	适配软管规格 Fits to Tubing Size AD1/AD2/AD3	A mm	B mm	包装单位 Packet
SVY-101010G	SVY-101010B	10.0/10.0/10.0	42	40	50
* SVY-131010G	SVY-131010B	13.0/10.0/10.0	55	38	50
* SVY-131310G	SVY-131310B	13.0/13.0/10.0	55	36.1	50
SVY-131313G	SVY-131313B	13.0/13.0/13.0	55	37.4	50
SVY-161310G	SVY-161310B	15.8/13.0/10.0	48	41	50
SVY-161313G	SVY-161313B	15.8/13.0/13.0	55.5	39.8	50
SVY-161610G	SVY-161610B	15.8/15.8/10.0	55.5	39.8	50
SVY-161613G	SVY-161613B	15.8/15.8/13.0	56	40.7	50
SVY-211010G	SVY-211010B	21.2/10.0/10.0	42.8	37.2	50
* SVY-211310G	* SVY-211310B	21.2/13.0/10.0	43.2	41	50
SVY-211313G	SVY-211313B	21.2/13.0/13.0	43	37	50
* SVY-211610G	* SVY-211610B	21.2/15.8/10.0	48.2	39.6	50
SVY-211613G	SVY-211613B	21.2/15.8/13.0	52	41.3	50
* SVY-212110G	SVY-212110B	21.2/21.2/10.0	57.9	44.9	50
SVY-212113G	SVY-212113B	21.2/21.2/13.0	58.5	45	50
SVY-212116G	SVY-212116B	21.2/21.2/15.8	65	48.7	25
SVY-282113G	SVY-282113B	28.5/21.2/13.0	54	50.1	20
SVY-282116G	SVY-282116B	28.5/21.2/15.8	54.5	49	20
SVY-282813G	SVY-282813B	28.5/28.5/13.0	68	53.7	20
SVY-282816G	SVY-282816B	28.5/28.5/15.8	84.5	73	20
SVY-282821G	SVY-282821B	28.5/28.5/21.2	77	60.2	20
SVY-342828G	SVY-342828B	34.5/28.5/28.5	88	68.5	20

所有打*暂未开发 All article No. marked * hasn't been developed

SVT 可开式T型三通 Openable T-Distributor

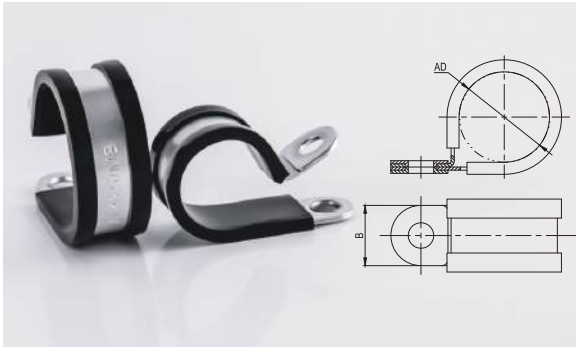
- 材料: PA
- 颜色: 黑色 (RAL 9005)
- 防护等级: IP40
- 温度: -30°C~100°C,短时达到120°C

- Material: PA
- Color: Black (RAL 9005)
- IP degree: IP40
- Temperature range: Min-30°C, max100°C, short-term120°C



规格型号 Article No. 黑色Black	适配软管规格 Fits to Tubing Size AD1/AD2/AD3	A mm	B mm	包装单位 Packet
SVT101010B	10.0/10.0/10.0	34	24.5	10
* SVT101013B	10.0/10.0/13.0	45.2	31.1	10
SVT131010B	13.0/10.0/10.0	40	27.5	10
* SVT131013B	13.0/10.0/13.0	45.2	31.1	10
* SVT131016B	13.0/10.0/15.8	45.2	31.1	10
SVT131310B	13.0/13.0/10.0	45.2	31.1	10
SVT131313B	13.0/13.0/13.0	42.5	28	10
* SVT131316B	13.0/13.0/15.8	45.2	31.1	10
* SVT161310B	15.8/13.0/10.0	49.1	34.8	10
SVT161313B	15.8/13.0/13.0	44	31	10
SVT161316B	15.8/13.0/15.8	45.5	31.5	10
* SVT161321B	15.8/13.0/21.2	49.1	34.8	10
SVT161613B	15.8/15.8/13.0	43.5	31	10
SVT161616B	15.8/15.8/15.8	46	32	10
* SVT161621B	15.8/15.8/21.2	49.1	34.8	10
SVT211316B	21.2/13.0/15.8	56.5	41	10
* SVT211321B	21.2/13.0/21.2	56.5	41	10
SVT211613B	21.2/15.8/13.0	56.5	41	10
SVT211616B	21.2/15.8/15.8	45.7	36	10
SVT211621B	21.2/15.8/21.2	56.5	41	10
SVT212113B	21.2/21.2/13.0	44.5	36	10
* SVT212116B	21.2/21.2/15.8	56.5	41	10
SVT212121B	21.2/21.2/21.2	42	34.2	10
SVT282113B	28.5/21.2/13.0	64.5	48.6	10
SVT282116B	28.5/21.2/15.8	64.5	48.6	10
SVT282121B	28.5/21.2/21.2	64.5	48.6	10
* SVT282813B	28.5/28.5/13.0	64.5	48.6	10
SVT282816B	28.5/28.5/15.8	64.5	48.6	10
SVT282821B	28.5/28.5/21.2	64.5	48.6	10
SVT282828B	28.5/28.5/28.5	49.5	43.5	10
* SVT342821B	34.5/28.5/21.2	72	55.3	10
* SVT343416B	34.5/34.5/15.8	64.5	48.6	10
SVT343421B	34.5/34.5/21.2	41	46.5	50
SVT343434B	34.5/34.5/34.5	56	46	10

SKM 紧固夹 Tubing-Clamp

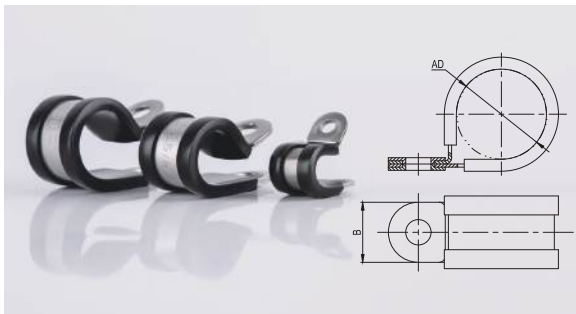


- 材质: 铁皮镀锌+硅橡胶
- 温度: -40°C~200°C
- 应用场合: 适合于软管的固定.弹性材料具有很好的抗老化性能

- Material: Galvanized steel and silicone rubber
- Temperature range: Min-40 C ,max200 C ,
- Applications: It is applied to fix the tubing and its elastic material has excellent ageing-resistant property

规格型号 Article No.	适配软管AD Fits to Tubing Size	安装螺钉 Fixing Screw	宽度B Width(mm)	包装单位 Packet
SKM-AD10.0	AD10.0	M4	9	100
SKM-AD13.0	AD13.0	M4	9	100
SKM-AD15.8	AD15.8	M4	9	100
SKM-AD18.5	AD18.5	M4	9	50
SKM-AD21.2	AD21.2	M4	9	50
SKM-AD21.2/M5	AD21.2	M5	13	50
* SKM-AD25.5	AD25.5	M5	13	25
SKM-AD28.5	AD28.5	M5	13	25
SKM-AD31.5	AD31.5	M5	13	25
SKM-AD31.5/M6	AD31.5	M6	13	25
SKM-AD34.5	AD34.5	M6	13	25
SKM-AD42.5	AD42.5	M6	13	20
SKM-AD54.5	AD54.5	M6	13	20
SKM-AD60	AD60	M6	13	10
* SKM-AD67.2	AD67.2	M6	13	10

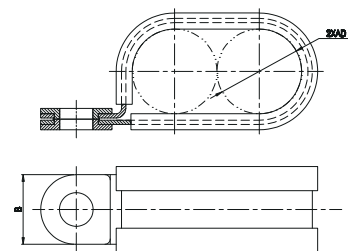
SKM.D 不锈钢紧固夹 Tubing-Clamp With Stainless Steel



- 材质: 不锈钢+硅橡胶
- 温度: -40°C~200°C
- 应用场合: 适合于软管的固定.弹性材料具有很好的抗老化性能

- Material: Stainless steel and silicone rubber
- Temperature range: Min-40 C ,max200 C
- Applications: It is applied to fix the tubing and its elastic material has excellent ageing-resistant property

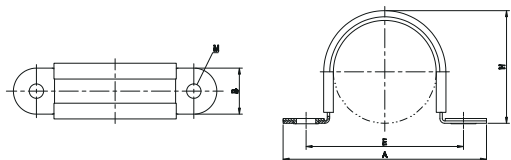
规格型号 Article No.	适配软管AD Fits to Tubing size	安装螺钉 Fixing Screw	宽度B Width(mm)	包装单位 Packet
SKM.D-AD10.0/M5	AD10.0	M5	13	100
SKM.D-AD10.0/M8	AD10.0	M8	19	100
SKM.D-AD13.0	AD13.0	M4	9	100
SKM.D-AD13.0/M8	AD13.0	M8	19	100
* SKM.D-AD15.8	AD15.8	M4	9	100
SKM.D-AD15.8/M8	AD15.8	M8	19	100
* SKM.D-AD18.5	AD18.5	M4	9	50
SKM.D-AD18.5/M8	AD18.5	M8	19	50
* SKM.D-AD21.2	AD21.2	M4	9	50
SKM.D-AD21.2/M5	AD21.2	M5	13	50
SKM.D-AD21.2/M8	AD21.2	M8	19	50
* SKM.D-AD25.5	AD25.5	M5	13	25
SKM.D-AD25.5/M8	AD25.5	M8	19	25
SKM.D-AD28.5	AD28.5	M5	13	25
SKM.D-AD28.5/M8	AD28.5	M8	19	25
* SKM.D-AD31.5	AD31.5	M5	13	25
SKM.D-AD31.5/M6	AD31.5	M6	13	25
SKM.D-AD31.5/M8	AD31.5	M8	19	25
SKM.D-AD34.5	AD34.5	M6	13	25
SKM.D-AD34.5/M8	AD34.5	M8	19	25
SKM.D-AD42.5	AD42.5	M6	13	20
SKM.D-AD42.5/M8	AD42.5	M8	19	20
SKM.D-AD54.5	AD54.5	M6	13	20
SKM.D-AD54.5/M8	AD54.5	M8	19	20
* SKM.D-AD67.2	AD67.2	M6	13	10
* SKM.D-AD67.2/M8	AD67.2	M8	19	10



- ★ 可提供多线缆夹定制方案
We can provide customized solutions
for multi-cable clamping

所有打*暂未开发 All article No. marked * hasn't been developed

SKN 紧固夹 Tubing-Clamp



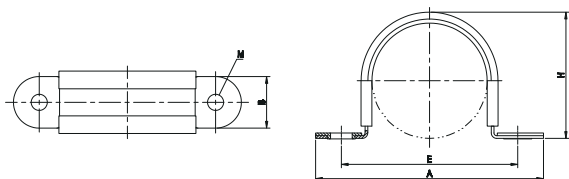
- 材质: 铁皮镀锌+硅橡胶
- 温度: -40°C~200°C
- 应用场合: 适合于软管的固定. 弹性材料具有很好的抗老化性能

- Material: Galvanized steel and silicone rubber
- Temperature range: Min-40 C ,max200 C ,
- Applications: It is applied to fix the tubing and its elastic material has excellent ageing-resistant property



规格型号 Article No.	适配软管AD Fits to Tubing Size	安装螺钉 Fixing Screw	A mm	宽度B Width(mm)	H mm	E mm	包装单位 Packet
SKN-AD18.5	AD18.5	M6	61.3	19	23	42.3	50
SKN-AD21.2	AD21.2	M6	63	19	25.5	44	50
SKN-AD28.5	AD28.5	M6	70	19	33	51	25
SKN-AD34.5	AD34.5	M6	76	19	36	57	20
SKN-AD42.5	AD42.5	M6	85	19	47.3	66	10
SKN-AD54.5	AD54.5	M6	98	19	59.3	79	10
SKN-AD67.2	AD67.2	M8	122	24	72.5	97.2	5
SKN-AD80	AD80	M8	134	24	84	110	5
SKN-AD106	AD106	M8	160	24	110	136	5

SKN.D 不锈钢紧固夹 Tubing-Clamp With Stainless Steel



- 材质: 不锈钢+硅橡胶
- 温度: -40°C~200°C
- 应用场合: 适合于软管的固定. 弹性材料具有很好的抗老化性能

- Material: Stainless steel and silicone rubber
- Temperature range: Min-40 C ,max200 C
- Applications: It is applied to fix the tubing and its elastic material has excellent ageing-resistant property



规格型号 Article No.	适配软管AD Fits to Tubing Size	安装螺钉 Fixing Screw	A mm	宽度B Width(mm)	H mm	E mm	包装单位 Packet
* SKN.D-AD18.5	AD18.5	M6	61.3	19	23	42.3	50
SKN.D-AD21.2	AD21.2	M6	63	19	25.5	44	50
SKN.D-AD28.5	AD28.5	M6	70	19	33	51	25
SKN.D-AD34.5	AD34.5	M6	76	19	36	57	20
SKN.D-AD42.5	AD42.5	M6	84	19	47.3	66	10
SKN.D-AD54.5	AD54.5	M6	98	19	59.3	79	10
SKN.D-AD67.2	AD67.2	M8	122	24	72.5	97.2	5
SKN.D-AD80	AD80	M8	134	24	84	110	5
* SKN.D-AD106	AD106	M8	160	24	110	136	5

所有打*暂未开发 All article No. marked * hasn't been developed

协作绑带固定夹 Collaborative strap fixing clip

- 材料: 尼龙与改性橡胶
- 颜色: 黑色
- 性能: 本款魔术贴绑带束紧范围大, 可通用各类协作机器人型号, 橡胶块防滑设计, 能有效束紧软管
- 应用: 协作机器人, 自动化设备

- Material: Nylon and modified rubber
- Color: Black
- Properties: This Velcro strap has a wide clamping range and is compatible with various collaborative robot models. The rubber pads with anti-slip design ensuring effective clamping on tubing
- Applications: collaborative robots, automation equipment



产品选型参数表 Technical Parameters

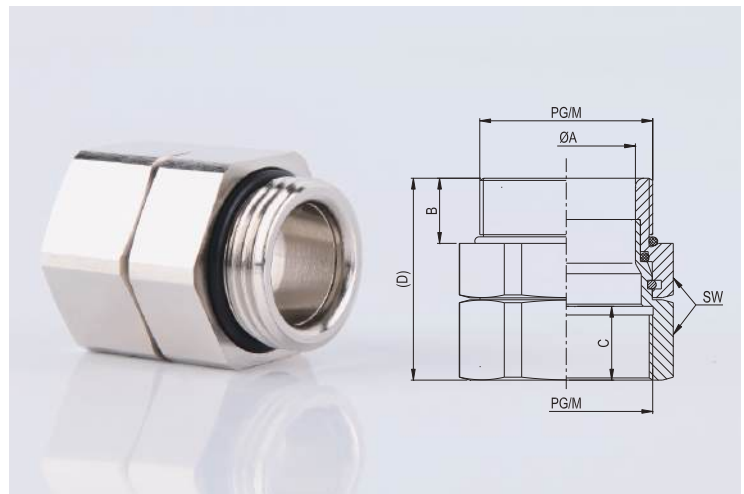
适配软管 Fits to Tubing Size	WY-RGCPB-500 束紧范围mm Clamping Range mm	WY-RGCPB-600 束紧范围mm Clamping Range mm	WY-RGCPB-700 束紧范围mm Clamping Range mm	WY-RGCPB-800 束紧范围mm Clamping Range mm
AD21.2	≤98	≤130	≤162	≤193
AD25.5	≤98	≤130	≤162	≤193
AD28.5	≤98	≤130	≤162	≤193
AD34.5	≤95	≤128	≤160	≤191
AD42.5	≤85	≤116	≤148	≤180
AD54.5	≤80	≤112	≤145	≤175
AD67.2	≤65	≤96	≤128	≤160
AD80	≤50	≤80	≤110	≤145

WQPT 360° 旋转软管接头 Swivel Connector Coupler

这种螺纹管接头通常与带有金属螺纹的管接头(90度/45度弯曲型)配合使用, 容易固定接头的出线位置。接头安装后仍可进行360°自由旋转

This threaded tubing connector is usually used in conjunction with a tubing connector with a metal thread (90°/45° bend type), which is easy to fix the outlet position of the joint. After the connector is installed, it can still rotate freely in 360°

- 材料: 黄铜镀镍
 - 温度: -40°C~100°C
 - 防护等级达: IP68
-
- Nickel-plated brass
 - Temperature range: Min-40 C, max100 C
 - IP degree: IP68



WQPT 360° 公制螺纹 Metric Thread

规格型号 Article No.	螺纹规格 Thread Dimension 公制Metric	内孔径 φA ID	螺纹长度 B Thread Length	螺纹长度 C Thread Length	总长度 (D) Total Length	扳手尺寸 SW Wrench Size	包装单位 Packet
* WQPT-M12	M12×1.5	4.5	10	12	33.5	17	50
WQPT-M16	M16×1.5	8.5	10	12	33.5	21	32
WQPT-M20	M20×1.5	14	10	12	33.5	24	32
WQPT-M25	M25×1.5	19	12	14	38.5	30	18
WQPT-M32	M32×1.5	25	12	14	39	36	18
WQPT-M40	M40×1.5	32	15	17	46.5	45	4
WQPT-M50	M50×1.5	40	15	17	50	55	4

WQPT 360° PG制螺纹 PG Thread

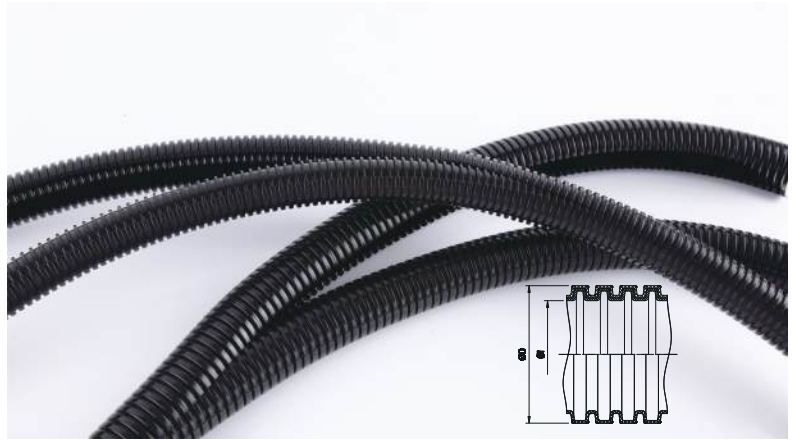
规格型号 Article No.	螺纹规格 Thread Dimension 公制Metric	内孔径 φA ID	接头外径 φB OD	螺纹长度 C Thread Length	总长度 (D) Total Length	扳手尺寸 SW Wrench Size	包装单位 Packet
WQPT-P21	PG21	20	12	14	39	32	18

所有打*暂未开发 All article No. marked * hasn't been developed

WYT-PA 可开式软管 Openable Tubing

- 材料: 尼龙
- 颜色: 深灰色(RAL7037), 黑色(RAL9005)
- 温度: -40°C~115°C, 短时达到150°C
- 阻燃等级: HB(UL94)
- 特性: 高温不变形, 耐摩擦, 化学稳定性强, 不含卤素, 弯曲弹性强
- 适配: WYTC 可开式接头

- Material: polyamide
- Color: Dark grey (RAL7037), black (RAL9005)
- Temperature range: Min-40 °C, max115 °C, short-term150 °C
- Flame-retardant: HB (UL94)
- Properties: It will not change the shape of the conduit at high temperatures. Anti-friction, stable chemical property, halogen-free, good bending elasticity
- Fit with: WYTC openable connectors



规格型号 Article No.	适配软管接头规格 Fits to Connector Size	内径×外径 Innerφ×Outerφ	最小弯曲半径 Bending Radius	重量 Weight(kg) (kg/m±10%)	包装(米/卷) Packet (m/roll)
WYT-PA10	WYTC-10	9.2×14	60	0.049	50
WYT-PA14	WYTC-14	12.9×19.8	80	0.089	50
WYT-PA20	WYTC-20	19.6×26.7	95	0.147	50
WYT-PA23	WYTC-23	24×32.4	115	0.18	50
WYT-PA37	WYTC-37	31.5×44	150	0.312	25
WYT-PA45	-	43.2×54.6	190	0.41	25

WYT-PP 可开式软管 Openable Tubing

- 材质: 聚丙烯
- 颜色: 深灰色(RAL7037), 黑色(RAL9005)
- 温度: -40°C~110°C
- 阻燃等级: HB(UL94)
- 特性: 机械强度高, 化学稳定性强, 不含卤素, 温度稳定性强
- 适配: WYTC 可开式接头

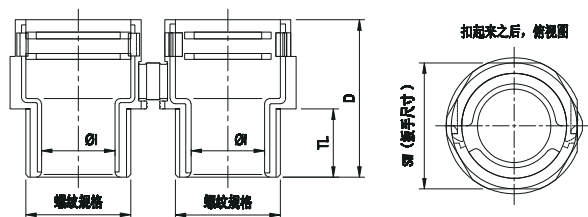
- Material: polypropylene
- Color: Dark grey (RAL7037), black (RAL9005)
- Temperature range: Min-40 °C, max110 °C
- Flame-retardant: HB (UL94)
- Properties: High chemical strength, stable chemical property, halogen-free, high temperature stability
- Fit with: WYTC openable connectors



规格型号 Article No.	适配软管接头规格 Fits to Connector Size	内径×外径 Innerφ×Outerφ	最小弯曲半径 Bending Radius	重量 Weight(kg) (kg/m±10%)	包装(米/卷) Packet (m/roll)
WYT-PP10	WYTC-10	9.2×14	55	0.039	50
WYT-PP14	WYTC-14	12.9×19.8	75	0.071	50
WYT-PP20	WYTC-20	19.6×26.7	95	0.118	50
WYT-PP23	WYTC-23	24×32.4	125	0.144	50
WYT-PP37	WYTC-37	31.5×44	150	0.25	25
WYT-PP45	-	43.2×54.6	190	0.328	25

★ 订货编号: #=B(黑色)、G(深灰色) Order number: #=B(Black), G(Dark grey)

WYTC 可开式接头 Openable Connector



- 材料: 特制合成聚酰胺制成
- 颜色: 黑色(RAL 9005)
- 温度: -30°C~100°C, 短时达到120°C
- 防护等级: IP50, 自熄灭性好, 不含卤素、磷、镉(符合RoHS指令)
- 适配: WYT 可开式软管

- Material: Specially formulated polyamide
- Color: Black (RAL 9005)
- Temperature range: Min-30 °C ,max100 °C ,short-term120 °C
- IP degree: IP50, Self-extinguishing, free of halogen, phosphor and cadmium (command RoHS satisfy)
- Fit with: WYT openable Tubing

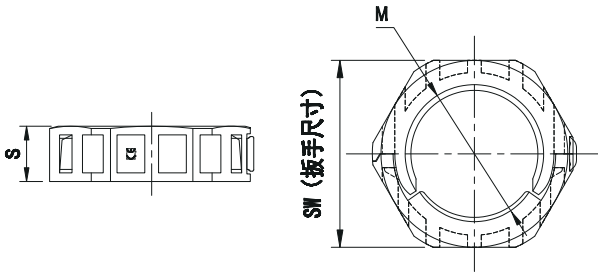
WYTC-M 公制螺纹 Metric Thread

规格型号 Article No.	螺纹规格 Thread Size	适配软管尺寸 Fitting To WYTC	高度 Fitting Height D(mm)	螺纹长度 Thread Length TL(mm)	内孔尺寸 Inner Width ΦI(mm)	扳手尺寸 Wrench size Body SW(mm)	包装单位 Packet
WYTC-10-M16	M16×1.5	10	27	12	10	19	100
WYTC-14-M20	M20×1.5	14	30	13	14	24	100
WYTC-20-M25	M25×1.5	20	35	14	19	32	50
WYTC-20-M27	M27×2.0	20	35	14	20.5	32	50
WYTC-23-M32	M32×1.5	23	45	15	26	40	25
WYTC-37-M40	M40×1.5	37	45	15	31	52	25

WYTC-P 德国PG制螺纹 German PG Thread

规格型号 Article No.	螺纹规格 Thread Size	适配软管尺寸 Fitting To WYTC	高度 Fitting Height D(mm)	螺纹长度 Thread Length TL(mm)	内孔尺寸 Inner Width ΦI(mm)	扳手尺寸 Wrench size Body SW(mm)	包装单位 Packet
WYTC-10-P09	PG9	10	27	12	10	19	100
WYTC-14-P13.5	PG13.5	14	30	13	14	24	100
WYTC-20-P21	PG21	20	35	14	20.5	32	50
WYTC-23-P29	PG29	23	45	15	30	40	25
WYTC-37-P29	PG29	37	45	15	28	52	25

WYTN 可开式螺母 Openable Locknut



- 材料: 特制合成聚酰胺制成
- 颜色: 黑色(RAL 9005)
- 环境温度: -30°C~100°C, 短时达到120°C
- 阻燃等级: 自熄灭性好, 不含卤素、磷、镉(符合RoHS指令)

- Material: Specially formulated polyamide
- Color: Black (RAL 9005)
- Temperature range: Min-30 °C ,max100 °C ,short-term120 °C
- Flame-retardant: Self-extinguishing, free of halogen, phosphor and cadmium (command RoHS satisfy)



WYTN-M 公制螺纹 Metric Thread

规格型号 Article No.	螺纹规格 Thread Size	适配软管尺寸 Fitting To WYTC	扳手尺寸 Wrench size Body SW(mm)	螺母厚度 Size of Nut S (mm)	包装单位 Packet
WYTN-M16	M16×1.5	WYTC-10-M16	22	6	100
WYTN-M20	M20×1.5	WYTC-14-M20	27	8	100
WYTN-M25	M25×1.5	WYTC-20-M25	32	9	100
WYTN-M27	M27×2	WYTC-20-M27	36	9	100
WYTN-M32	M32×1.5	WYTC-23-M32	42	9	50
WYTN-M40	M40×1.5	WYTC-37-M40	50	9	25

WYTN-P 德国PG制螺纹 German PG Thread

规格型号 Article No.	螺纹规格 Thread Size	适配软管尺寸 Fitting To WYTC	扳手尺寸 Wrench size Body SW(mm)	螺母厚度 Size of Nut S (mm)	包装单位 Packet
WYTN-P09	PG9	WYTC-10-P09	22	6	100
WYTN-P13.5	PG13.5	WYTC-14-P13.5	27	8	100
WYTN-P21	PG21	WYTC-20-P21	36	9	50
WYTN-P29	PG29	WYTC-23-P29/WYTC-37-P29	50	9	25

WY 系列大口径软管 WY Jumbo Tubing WY-PE 聚乙烯软管 WY-PE Polyethylene

- 材料: 聚乙烯
- 颜色: 深灰色(RAL 7037), 黑色(RAL 9005)
- 温度: -50°C~80°C, 短时达到100°C

- Material: Polyethylene
- Color: Dark grey (RAL7037), black (RAL9005)
- Temperature range: Min-50°C, max80°C, short-term100°C

★ 订货编号: #=B(黑色)、G(深灰色)
Order number: #=B(Black), G(Dark grey)



规格型号	内径×外径	最小弯曲半径	动态半径	重量	包装
Article No.	ID×OD mm×mm	Bending Radius (mm)	Dyn.r (mm)	Weight(kg) (kg/m±10%)	Packet (m/roll)
WY-PE-AD67.2 #	56.3×67.2	130	270	0.31	10
WY-PE-AD80 #	68×80	170	350	0.4	10
WY-PE-AD106 #	92×106	225	450	0.559	10

WY-PA6 尼龙软管 WY-PA6 Polyamide Tubing

- 材料: 尼龙 6
- 颜色: 深灰色(RAL 7037), 黑色(RAL 9005)
- 温度: -40°C~105°C, 短时达到125°C
- 阻燃等级: HB(UL94), 不含卤素、磷、镉, 通过RoHS测试

- Material: Polyamide 6
- Color: Dark grey (RAL7037), black(RAL 9005)
- Temperature range: Min-40°C, max105°C, short-term125°C
- Flame-retardant: HB(UL94), free of halogen, phosphor and cadmium, passed RoHS

注: -XC型号为细齿波纹管, 产品整体更柔软

★ 订货编号: #=B(黑色)、G(深灰色)
Order number: #=B(Black), G(Dark grey)



UL证书号: E317026



规格型号	内径×外径	弯曲半径	动态半径	重量	包装
Article No.	ID×OD mm×mm	Bending Radius (mm)	Dyn.r (mm)	Weight(kg) (kg/m±10%)	Packet (m/roll)
WY-PA6-AD67.2 #	56.3×67.2	130	270	0.383	10
WY-PA6-AD80 #	68×80	170	350	0.494	10
WY-PA6-AD106 #	92×106	225	450	0.69	10
WY-PA6-AD67.2 #-XC	56.3×67.2	130	270	0.3	10
WY-PA6-AD80 #-XC	68×80	170	350	0.37	10
WY-PA6-AD106 #-XC	92×106	225	450	0.795	10

WY-PA12 尼龙软管 WY-PA12 Polyamide Tubing

- 材料: 尼龙
- 颜色: 深灰色(RAL 7037), 黑色(RAL 9005)
- 温度: -50°C~100°C, 短时达到125°C
- 阻燃等级: V2(UL94), 不含卤素、磷、镉, 通过RoHS测试

- Material: Polyamide
- Color: Dark grey (RAL 7037), black (RAL 9005)
- Temperature range: Min-50°C, max100°C, short-term125°C
- Flame-retardant: V2(UL94), free of halogen, phosphor and cadmium, passed RoHS

注: -XC型号为细齿波纹管, 产品整体更柔软

★ 订货编号: #=B(黑色)、G(深灰色)
Order number: #=B(Black), G(Dark grey)

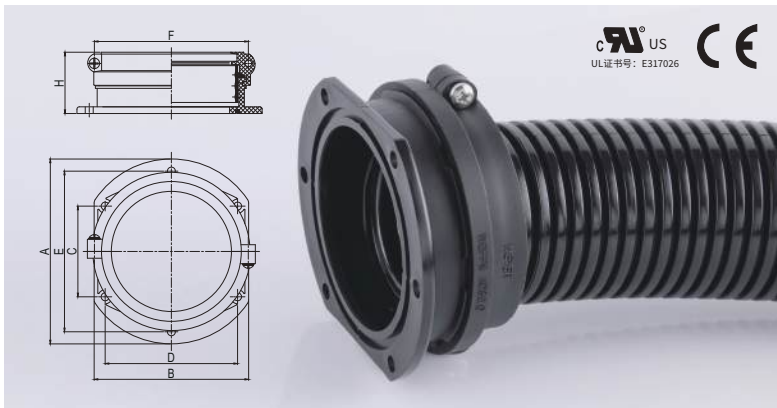


规格型号	内径×外径	弯曲半径	动态半径	重量	包装
Article No.	ID×OD mm×mm	Bending Radius (mm)	Dyn.r (mm)	Weight(kg) (kg/m±10%)	Packet (m/roll)
WY-PA12-AD67.2 #	56.3×67.2	130	270	0.346	10
WY-PA12-AD80 #	68×80	170	350	0.446	10
WY-PA12-AD106 #	92×106	225	450	0.624	10
WY-PA12-AD67.2 #-XC	56.3×67.2	130	270	0.35	10
WY-PA12-AD80 #-XC	68×80	170	350	0.45	10
WY-PA12-AD82.5 #-XC	70×82.5	170	350	0.579	10
WY-PA12-AD106 #-XC	92×106	225	450	0.795	10

WGFPM 大型软管接头 Jumbo Connector

- 材料: PA增强尼龙PA
- 颜色: 深灰色(RAL 7037), 黑色(RAL 9005)
- 温度: -40°C~100°C
- 防护等级: IP54,当使用平面密封环FRP和管道密封圈FRM时, 防护等级达IP68

- Material: Polyamide , enhanced polyamide
- Color: Dark grey (RAL 7037), black (RAL 9005)
- Temperature range: Min-40 °C ,max 100 °C
- IP degree: IP54, When using together with flat-sealing FRP and sealing FRM, IP degree can reach IP68. (WGFPM does not include FRM and FRP, please order additional if necessary.)



规格型号 Article No.	适配软管 AD Fitting To WYTC	A mm	B mm	C mm	D mm	φE mm	φF mm	H mm	安装螺钉 Fixing Screw	包装单位 Packet
WGFPM AD67.2 #	67.2	96	80	60	66	/	89	39.5	4-M6	6
WGFPM AD80 #	80	112	95	60	80	100	96.5	44	6-M6	2
WGFPM AD106 #	106	150	126	74	108	129	125.5	50	6-M6	2

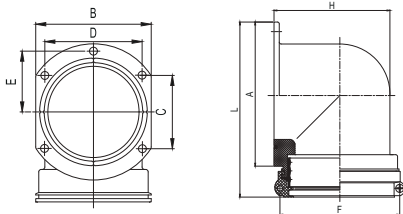
★ 订货编号: #=B(黑色)、G(深灰色) Order number: #=B(Black), G(Dark grey)

WFPM 大型软管接头 WFPM Jumbo Connector

- 材料: PA增强尼龙PA
- 颜色: 深灰色(RAL 7037), 黑色(RAL 9005)
- 温度: -40°C~100°C
- 防护等级: IP54,当使用平面密封环FRP和管道密封圈FRM时, 防护等级达IP68

- Material: Polyamide , enhanced polyamide
- Color: Dark grey (RAL 7037), black (RAL 9005)
- Temperature range: Min-40 °C ,max 100 °C
- IP degree: IP54, When using together with flat-sealing FRP and sealing FRM, IP degree can reach IP68

(WFPM does not include FRM and FRP, please order additional if necessary.)



规格型号 Article No.	适配软管AD Fits to Tubing Size	A mm	B mm	C mm	D mm	φE mm	φF mm	H mm	L mm	安装螺钉 Mounting Screws
WFPM AD80 #	80	112	95	60	80	50	95	98	148.5	M6
WFPM AD106 #	106	151	126	74	108	65.5	123	121.5	183.5	M6

★ 订货编号: #=B(黑色)、G(深灰色) Order number: #=B(Black), G(Dark grey)

FRP 平面密封环 Flat-sealing/ FRM 管道密封圈 Sealing

- 材料: FRP:氯丁橡胶;FRM:改性橡胶
- 温度: -40°C~100°C
- 特性: 耐油, 防水, 防尘。FRP用于特大软管接头与安装面之间的密封FRM用于软管和特大软管接头之间的密封

- Material: FRP:chloroprene rubber;FRM:modified rubber
- Temperature range: Min-40 °C ,max 100 °C
- Properties: Protection against oil, water and dust. FRP is used for sealing between jumbo connector and fitting surface, while FRM is used for sealing between tubing and jumbo connector

FRP 平面密封环
FRP flat-sealing



FRM 管道密封圈
FRM Sealing

规格型号 Article No.	D(厚度) Heavy(mm)	规格型号 Article no.	ΦI(内径) ID (mm)	ΦB(外径) OD (mm)	D(高度) Height (mm)	包装单位 Packet
FRP AD67.2	3	FRM AD67.2-T	64	80	24	5
FRP AD80	3	FRM AD80-T	77	91	28	5
FRP AD106	3	FRM AD106-T	101	119	29.5	2

WYFL 软管切割刀具 Tubing Cutter



- 轻巧(主体塑料)
为单手操作而设计, 重量轻, 结构紧凑, 适于窄小空间作业, 使用杠杆原理, 出力轻, 切断力量大型号FL50大管径软管也可轻松切断

- Light, easy to use
Design for using the tools with one hand, light weight, compact-sized, widely used in narrow space. Using leverage, it's easy to cut off the tubing with little strength. Easy to cut off the big-sized tubing

规格型号 Article No.	长度(mm) Length	重量(g) Weight	切断能力 Cutting Capacity	替刀 Substitute
FL38	220	145	外径<38.5mm	FP38
FL50	250	425	外径≥38.5mm	FP50

WEYER

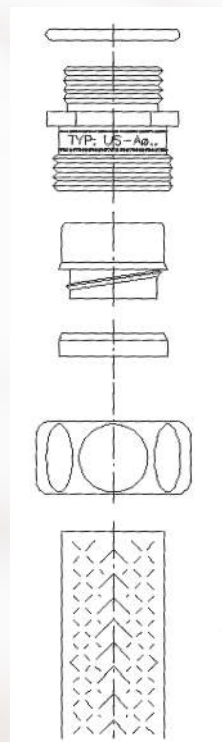
电气连接与保护系统

金属软管及接头系列

Metal Tubing and Connectors



安装示意图 Installation Diagram



A

B

C

D

E

F

A = O-ring

B = Connector body

C = Ferrule

D = Sealing ring

E = Clamping nut

F = Conduit

O型密封圈

接头体

护套

密封套

压紧螺母

金属软管

JS 型镀锌金属软管(P3型) JS Type Galvanized Metal Conduit(P3 Type)

- 结构: 镀锌钢带绕制而成
- 温度范围: 最高耐温达220°C
- 防护等级: IP40
- 认证: 通过REACH及RoHS认证
- 性能: 弯曲柔软性好, 便于安装, 起到保护电缆的作用
- 应用场合: 建筑, 机械等行业



规格型号 Article No.	公称通径 Nominal Diameter	内径×外径 Innerφ×Outerφ	自然弯曲半径 Natural Bending Radius mm	包装单位(米/卷) Packet (m/roll)
JS-6	-	6X8.2	13	100
JS-8	1/4"	8.2X10.8	18	100
JS-10	5/16"	10X13.2	20	100
JS-12	3/8"	12.5X15.7	24	100
JS-15	1/2"	15.5X18.9	26	100
JS-20	3/4"	20X23.8	28	50
JS-25	1"	25X29.3	36	50
JS-32	1 1/4"	32X37	51	25
JS-38	1 1/2"	38X43	62	25
JS-51	2"	51X57	67	20
JS-64	2 1/2"	62.8X70.5	115	10
JS-75	3"	75X83	190	10
JS-100	4"	97X108.5	220	10
JS-125	5"	122X133.5	310	5
JS-150	6"	146X158.5	355	5

- Structure: Galvanized steal-strip
- Temperature range: Up to 220°C
- IP degree: IP40
- Certification: REACH and ROHs
- Properties: Good bending flexibility, easy to install, and protect the cable
- Application: Construction and mechanism fields etc

JSH-PVC 型包塑金属软管 (P3型) JSH-PVC Type Metal Conduit With PVC Sheathing(P3 Type)

- 结构: 内JS外PVC包塑组成
- 颜色: 灰色 (RAL 7037) 黑色 (RAL 9005)
- 温度: -25°C~80°C, 短时可达100°C
- 防护等级: IP68
- 阻燃等级: V0(UL94)
- 认证: REACH, RoHS
- 性能: 柔软性好, 便于安装
- 应用场合: 电力、化工、冶金、机械等行业



规格型号 Article No.	公称通径 Nominal Diameter	内径×外径 ID×OD mm×mm	自然弯曲半径 Natural Bending Radius (mm)	包装单位(米/卷) Packet (m/roll)
JSH-PVC-06 #	-	6X9	25	100
JSH-PVC-08 #	1/4"	8.2X11.6	26	100
JSH-PVC-10 #	5/16"	10X14.2	37	100
JSH-PVC-12 #	3/8"	12.5X16.7	38	100
JSH-PVC-15 #	1/2"	15.5X20.1	41	100
JSH-PVC-20 #	3/4"	20X25	52	50
JSH-PVC-25 #	1"	25X30.7	66	50
JSH-PVC-32 #	1 1/4"	32X38.6	70	25
JSH-PVC-38 #	1 1/2"	38X44.6	86	25
JSH-PVC-51 #	2"	51X59	121	20
JSH-PVC-64 #	2 1/2"	62.8X72	150	10
JSH-PVC-75 #	3"	75X85	210	10
JSH-PVC-100 #	4"	97X112.3	234	10
JSH-PVC-125 #	5"	125X135.5	335	5
JSH-PVC-150 #	6"	150X161.5	375	5

- Structure: JS with PVC sheathing
- Color: Grey (RAL 7037), black (RAL 9005)
- Temperature range: Min-25°C,max80°C,short term up to 100°C
- IP degree: IP68
- Flame-retardant: V0(UL94)
- Certification: REACH and ROHs
- Properties: Flexible and easy to assembly
- Application: lectricity, chemistry, mechanism etc

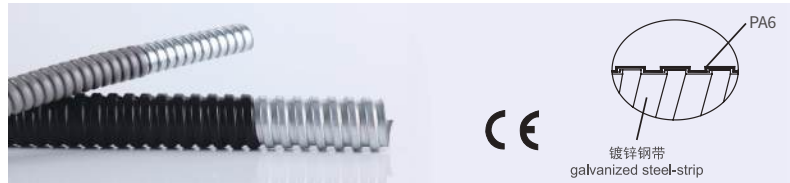
★ 订货编号: #=B(黑色)、G(灰色)
Order number : #=B(Black), G(Grey)

JSH-PA 型包塑金属软管 (P3) JSH-PA Type Metal Conduit with PA6 Sheathing(P3 Type)

- 结构:内 JS 外PA包塑组成
- 颜色:灰色 (RAL 7037) 黑色 (RAL 9005)
- 温度: -40°C~115°C, 短时达到150°C
- 防护等级: IP68
- 性能: 机械强度较高, 柔韧性好、表面有光泽、耐油、碱、弱酸等, 耐摩擦、黑色耐紫外线、低烟、不含卤素、磷、镉等, 通过RoHS测试

- Structure: JS & PA
- Color: Grey (RAL 7037), black (RAL 9005)
- Temperature range: Min -40°C, max 115°C, short-term 150°C
- IP degree: IP68
- Properties: High mechanical strength, good flexibility, glossy surface, oil resistance, alkali resistance, weak acid resistance, poor wear resistance, black ultraviolet resistance, low smoke, halogen-free, phosphorus, cadmium, etc., passed RoHS

★ 订货编号: #=B(黑色)、G(灰色)
Order number: #=B(Black), G(Grey)



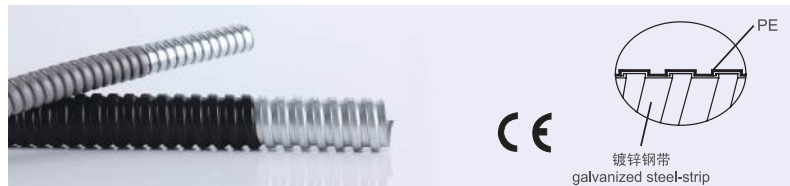
规格型号 Article No.	公称通径 Nominal Diameter	内径×外径 ID×OD mm×mm	自然弯曲半径 Natural Bending Radius (mm)	包装单位(米/卷) Packet (m/roll)
JSH-PA-10 #	5/16"	10X14.2	37	100
JSH-PA-12 #	3/8"	12.5X16.7	38	100
JSH-PA-15 #	1/2"	15.5X20.1	41	100
JSH-PA-20 #	3/4"	20X25	52	50
JSH-PA-25 #	1"	25X30.7	66	50
JSH-PA-32 #	1 1/4"	32X38.6	70	25
JSH-PA-38 #	1 1/2"	38X44.6	86	25

JSH-PE 型包塑金属软管 (P3) JSH-PE Type Metal Conduit with PE Sheathing(P3 Type)

- 结构:内 JS 外PE包塑组成
- 颜色:灰色 (RAL 7037) 黑色 (RAL 9005)
- 温度: -40°C~90°C, 短时达到100°C
- 防护等级: IP68
- 性能: 机械强度较高, 耐油柔韧性好、表面光泽、低烟、不含卤素、磷、镉等, 通过RoHS测试
- 阻燃等级: V0(UL94)

- Structure: JS & PE
- Color: Grey (RAL 7037), black (RAL 9005)
- Temperature range: Min -40°C, max 90°C, short-term 100°C
- IP degree: IP68
- Properties: High mechanical strength, good oil resistance and flexibility, surface gloss, low smoke, no halogen, phosphorus, cadmium and so on, passed RoHS
- Flame-retardant: V0 (UL94)

★ 订货编号: #=B(黑色)、G(灰色)
Order number: #=B(Black), G(Grey)
PE属聚烯烃共聚物 PE belongs to polyolefin copolymer



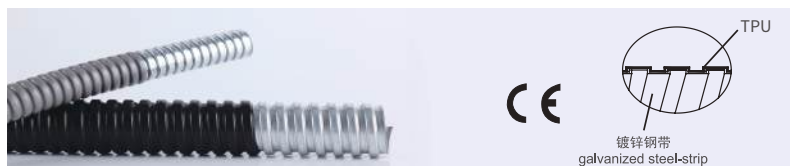
规格型号 Article No.	公称通径 Nominal Diameter	内径×外径 ID×OD mm×mm	自然弯曲半径 Natural Bending Radius (mm)	包装单位(米/卷) Packet (m/roll)
JSH-PE-10 #	5/16"	10X14.2	37	100
JSH-PE-12 #	3/8"	12.5X16.7	38	100
JSH-PE-15 #	1/2"	15.5X20.1	41	100
JSH-PE-20 #	3/4"	20X25	52	50
JSH-PE-25 #	1"	25X30.7	66	50
JSH-PE-32 #	1 1/4"	32X38.6	70	25
JSH-PE-38 #	1 1/2"	38X44.6	86	25

JSH-PU 型包塑金属软管 (P3) JSH-PU Type Metal Conduit with PU Sheathing(P3 Type)

- 结构:内 JS 外TPU包塑组成
- 颜色:灰色 (RAL 7037) 黑色 (RAL 9005)
- 温度: -40°C~100°C, 短时达到120°C
- 防护等级: IP68
- 性能: 柔软性好, 便于安装, 耐水、耐油、低烟、无卤、不含磷、镉等, 通过RoHS测试
- 阻燃等级: V0(UL94)

- Structure: JS & TPU
- Color: Grey (RAL 7037), black (RAL 9005)
- Temperature range: Min -40°C, max 100°C, short-term 120°C
- IP degree: IP68
- Properties: Flexible and easy to assemble and oil, free of halogen, phosphorus and cadmium, passed RoHS
- Flame-retardant: V0 (UL94)

★ 订货编号: #=B(黑色)、G(灰色)
Order number: #=B(Black), G(Grey)



规格型号 Article No.	公称通径 Nominal Diameter	内径×外径 ID×OD mm×mm	自然弯曲半径 Natural Bending Radius (mm)	包装单位(米/卷) Packet (m/roll)
JSH-PU-10 #	5/16"	10X14.2	37	100
JSH-PU-12 #	3/8"	12.5X16.7	38	100
JSH-PU-15 #	1/2"	15.5X20.1	41	100
JSH-PU-20 #	3/4"	20X25	52	50
JSH-PU-25 #	1"	25X30.7	66	50
JSH-PU-32 #	1 1/4"	32X38.6	70	25
JSH-PU-38 #	1 1/2"	38X44.6	86	25
JSH-PU-51 #	2"	51X59	121	20

JSG 型增强管 (P3型) JSG-Type Enhanced Conduit (P3 Type)

- 结构: JSH与不锈钢丝编织构成
- 温度: -25°C~80°C, 短时达到100°C
- 防护等级: IP68
- 性能: 增强软管耐磨, 耐热, 拉力等优点
- 应用场合: 高温环境, 加工焊接场所, 有机械加工热切屑的场所等

- Structure: JSH with stainless steel braiding
- Temperature range: Min-25°C, max80°C, short term up to 100°C.
- IP degree: IP68
- Properties: Enhanced anti-friction, heat-proof and tensile force
- Applications: High-temperature surroundings, processing areas etc

- ★ 大规格JSG型按照客户要求定制
Large specifications JSG type customized to customer requirements



CE 防爆管 Explosion-proof Conduit

规格型号 Article No.	公称通径 Nominal Diameter	内径×外径 ID×OD mm×mm	自然弯曲半径 Natural Bending Radius (mm)	包装单位(米/卷) Packet (m/roll)
JSG-10	5/16"	10X14.5	30	50
JSG-12	3/8"	12X17	40	50
JSG-15	1/2"	15.5X21	55	50
JSG-20	3/4"	20X26.2	75	50
JSG-25	1"	25X31.5	102	50
JSG-32	1 1/4"	32X41	180	25
JSG-38	1 1/2"	38X47	190	25
JSG-51	2"	51X61	230	20
JSG-64	2 1/2"	64X75	250	20
JSG-75	3"	75X89	300	20
JSG-100	4"	100X115	400	10

SLS 型不锈钢金属软管(P3型) Metal Conduit With Stainless Steel(P3 Type)

- 结构: 不锈钢带绕制而成
- 温度范围: 最高耐温达700°C
- 防护等级: IP40
- 性能: 弯曲柔软性好, 便于安装, 起到保护电缆的作用
- 应用场合: 建筑、机械等行业

- Structure: Stainless steel-strip
- Temperature range: Up to 700°C
- IP degree: IP40
- Properties: Flexible and easy to assembly, good for the cable protection
- Application: Construction and mechanism fields etc



CE

规格型号 Article No.	公称通径 Nominal Diameter	内径×外径 Innerφ×Outerφ	自然弯曲半径 Natural Bending mm	包装单位(米/卷) Packet (m/roll)
SLS-8	1/4"	8.2X10.8	18	100
SLS-10	5/16"	10X13	20	100
SLS-12	3/8"	12.5X15.8	28	100
SLS-15	1/2"	15.5X19	28	100
SLS-20	3/4"	20X23.6	33	50
SLS-25	1"	25X29.5	35	50
SLS-32	1 1/4"	32X37	53	25
SLS-38	1 1/2"	38X43	63	25
SLS-51	2"	51X57	80	20

SLSH-PVC 型不锈钢包塑金属软管 (P3型)

SLSH-PVC Stainless Steel conduit with PVC Sheathing (P3 Type)

- 结构:内SLS外PVC包塑而成
- 颜色:灰色 (RAL 7037) 黑色 (RAL 9005)
- 温度:-25°C~80°C, 短时间100°C
- 防护等级:IP68
- 阻燃等级:V0 (UL94)
- 性能:弯曲柔软性好, 便于安装, 起到防水等优点
- 应用场合: 电力, 化工, 冶金、机械等行业

- Structure: SLS; With PVC sheathing.
- Color: Grey (RAL 7037), black (RAL 9005)
- Temperature range: Min-25°C, max 80°C, short term 100°C
- IP degree: IP68
- Flame-retardant: V0 (UL94)
- Properties: Flexible and easy to assembly, protection against water
- Application: Electricity, chemistry, mechanism etc

★ 订货编号: #=B(黑色)、G(灰色)
Order number: #=B(Black), G(Grey)



规格型号 Article No.	公称通径 Nominal Diameter	内径×外径 ID×OD mm×mm	自然弯曲半径 Natural Bending Radius (mm)	包装单位(米/卷) Packet (m/roll)
SLSH-PVC-08 #	1/4"	8.2X12	45	100
SLSH-PVC-10 #	5/16"	10X14.2	55	100
SLSH-PVC-12 #	3/8"	12.5X16.7	65	100
SLSH-PVC-15 #	1/2"	15.5X20.1	85	100
SLSH-PVC-20 #	3/4"	20X24.5	100	50
SLSH-PVC-25 #	1"	25X30.7	120	50
SLSH-PVC-32 #	1 1/4"	32X39.3	150	25
SLSH-PVC-38 #	1 1/2"	38X45.8	180	25
SLSH-PVC-51 #	2"	51X60.5	220	20

SLSH-PA 型不锈钢包塑金属软管 (P3型)

Stainless Steel conduit with PA Sheathing (P3 Type)

- 结构:内SLS外PA包塑而成
- 颜色:灰色 (RAL 7037) 黑色 (RAL 9005)
- 温度:-40°C~115°C, 短时达到150°C
- 防护等级:IP68
- 性能:机械强度高, 柔韧性好、表面有光泽、耐油、碱、弱酸等, 耐摩擦、黑色耐紫外线、低烟、不含卤素、磷、镉等, 通过RoHS测试

- Structure: SLS; With PA sheathing.
- Color: Grey (RAL 7037), black (RAL 9005)
- Temperature range: Min-40°C, max 115°C, short term 150°C
- IP degree: IP68
- Properties: High mechanical strength, good flexibility, glossy surface, oil resistance, alkali resistance, weak acid resistance, poor wear resistance, black ultraviolet resistance, low smoke, halogen-free, phosphorus, cadmium, etc., passed RoHS

★ 订货编号: #=B(黑色)、G(灰色)
Order number: #=B(Black), G(Grey)



规格型号 Article No.	公称通径 Nominal Diameter	内径×外径 ID×OD mm×mm	自然弯曲半径 Natural Bending Radius (mm)	包装单位(米/卷) Packet (m/roll)
SLSH-PA-08 #	1/4"	8.2X12	45	100
SLSH-PA-10 #	5/16"	10X14.2	55	100
SLSH-PA-12 #	3/8"	12.5X16.7	65	100
SLSH-PA-15 #	1/2"	15.5X20.1	85	100
SLSH-PA-20 #	3/4"	20X24.5	100	50
SLSH-PA-25 #	1"	25X30.7	120	50
SLSH-PA-32 #	1 1/4"	32X39.3	150	25
SLSH-PA-38 #	1 1/2"	38X45.2	180	25

SLSH-PE 型不锈钢包塑金属软管 (P3型)

Stainless Steel conduit with PE Sheathing (P3 Type)

- 结构:内SLS外PE包塑而成
- 颜色:灰色(RAL 7037) 黑色(RAL 9005)
- 温度:-40°C~90°C, 短时间100°C
- 防护等级:IP68
- 阻燃等级:V0 (UL94)
- 性能:机械强度高,耐油、柔韧性好、表面光泽、低烟、不含卤素、磷、镉等,通过RoHS测试

- Structure: SLS; With PE sheathing.
- Color: Grey (RAL 7037), black (RAL 9005)
- Temperature range: Min-40°C, max 90°C, short term 100°C
- IP degree: IP68
- Flame-retardant: V0 (UL94)
- Performance: High mechanical strength, good oil resistance and flexibility, surface gloss, low smoke, no halogen, phosphorus, cadmium and so on, passed RoHS

- ★ 订货编号: #-B(黑色)、G(灰色)
- Order number: #-B(Black), G(Grey)
- PE属聚烯烃共聚物
- PE belongs to polyolefin copolymer



规格型号 Article No.	公称通径 Nominal Diameter	内径×外径 ID×OD mm×mm	自然弯曲半径 Natural Bending Radius (mm)	包装单位(米/卷) Packet (m/roll)
SLSH-PE-10 #	5/16"	10X14.2	55	100
SLSH-PE-12 #	3/8"	12.5X16.7	65	100
SLSH-PE-15 #	1/2"	15.5X20.1	85	100
SLSH-PE-20 #	3/4"	20X24.5	100	50
SLSH-PE-25 #	1"	25X30.7	120	50
SLSH-PE-32 #	1 1/4"	32X39.3	150	25
SLSH-PE-38 #	1 1/2"	38X45.8	180	25

SLSH-PU 型不锈钢包塑金属软管 (P3型)

SLSH-PU Stainless Steel conduit with PU Sheathing (P3 Type)

- 结构:内SLS外TPU包塑而成
- 颜色:灰色(RAL 7037) 黑色(RAL 9005)
- 温度:-40°C~100°C, 短时达到120°C
- 防护等级:IP68
- 阻燃等级:V0 (UL94)
- 性能:柔韧性好,便于安装,防水、耐油、低烟无卤、不含磷、镉等,通过RoHS测试

- Structure: SLS; With TPU sheathing.
- Color: Grey (RAL 7037), black (RAL 9005)
- Temperature range: Min-40°C, max 100°C, short term 120°C
- IP degree: IP68
- Flame-retardant: V0 (UL94)
- Performance: Good flexibility, easy installation, water resistance, oil resistance, low smoke, halogen-free, non-phosphorus, cadmium and so on, passed RoHS test

- ★ 订货编号: #-B(黑色)、G(灰色)
- Order number: #-B(Black), G(Grey)



规格型号 Article No.	公称通径 Nominal Diameter	内径×外径 ID×OD mm×mm	自然弯曲半径 Natural Bending Radius (mm)	包装单位(米/卷) Packet (m/roll)
SLSH-PU-10 #	5/16"	10X14.2	60	100
SLSH-PU-12 #	3/8"	12.5X16.7	75	100
SLSH-PU-15 #	1/2"	15.5X20.1	95	100
SLSH-PU-20 #	3/4"	20X24.5	110	50
SLSH-PU-25 #	1"	25X30.7	140	50
SLSH-PU-32 #	1 1/4"	32X39.3	170	25
SLSH-PU-38 #	1 1/2"	38X45.8	200	25
SLSH-PU-51 #	2"	51X60.5	250	20

JSB-PVC 平包型软管 (P3型) Type Metal Conduit With Smooth PVC Sheathing(P3 Type)

- 结构: 由JS结构加棉线,外包PVC组成
- 颜色: 灰色 (RAL 7037) 黑色 (RAL 9005)
- 温度: -25°C~80°C, 短时达到100°C
- 防护等级: IP68
- 阻燃等级: V0(UL94)
- 性能: 方便清洁, 增强耐磨和使用寿命, 阻燃.通过REACH/RoHS 认证
- 应用场合: 用于火力发电厂,原子能发电厂,化工厂等重型设备的配套

- Structure: It consists of JS structure, cotton yarn and PVC outsourcing
- Color: Grey (RAL 7037), black (RAL 9005)
- Temperature range: Min-25°C,Max80°C,short term up to 100°C
- IP Degree: IP68
- Flame-retardant: V0(UL94)
- Properties: Easy to clean, enhanced anti-friction and service life, flame-retardant. Certified by REACH and RoHS
- Application: Heavy equipments of steampower station, nuclear power station and chemical factories

★ 订货编号: #=B(黑色)、G(灰色)
Order number: #=B(Black), G(Grey)



规格型号 Article No.	公称通径 Nominal Diameter	内径×外径 ID×OD mm×mm	自然弯曲半径 Natural Bending Radius (mm)	包装单位(米/卷) Packet (m/roll)
JSB-PVC-10 #	5/16"	10X14.4	58	100
JSB-PVC-12 #	3/8"	12.5X16.6	73	100
JSB-PVC-15 #	1/2"	15.5X20.4	93	100
JSB-PVC-20 #	3/4"	20X25.3	101	50
JSB-PVC-25 #	1"	25X30.5	164	50
JSB-PVC-32 #	1 1/4"	32X37.7	182	20
JSB-PVC-38 #	1 1/2"	38X44.2	250	20
JSB-PVC-51 #	2"	51X59	320	10
JSB-PVC-64 #	2 1/2"	62.8X72	350	10
JSB-PVC-75 #	3"	75X85	400	10

JSB-PU 型平包型软管(P3型) Type Metal Conduit With Smooth PU Sheathing (P3 Type)

- 结构: 由JS结构加棉线,外包TPU组成
- 颜色: 灰色 (RAL 7037) 黑色 (RAL 9005)
- 温度: -40°C~100°C, 短时达到120°C
- 防护等级: IP68
- 阻燃等级: V0(UL94)
- 性能: 柔软性好, 便于安装, 防水、耐油、低烟、无卤、不含磷、镉等, 通过RoHS测试

- Structure: It consists of JS structure, cotton yarn and TPU outsourcing
- Color: Grey (RAL 7037), black (RAL 9005)
- Temperature range: Min -40°C,max 100°C,short-term 120°C
- IP degree: IP68
- Flame-retardant: V0 (UL94)
- Properties: Flexible and easy to assembl and resistant to water and oil,free of halogen,phosphor and cadmium, passed RoHS

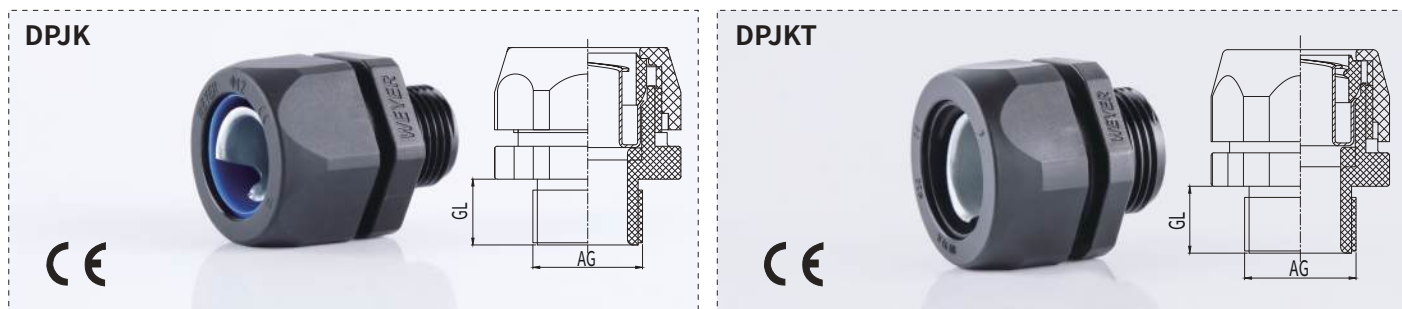
★ 订货编号: #=B(黑色)、G(灰色)
Order number: #=B(Black), G(Grey)
大规格JSB型按照客户要求定制
Large size JSB type is customized according to customer requirements



规格型号 Article No.	公称通径 Nominal Diameter	内径×外径 ID×OD mm×mm	自然弯曲半径 Natural Bending Radius (mm)	包装单位(米/卷) Packet (m/roll)
JSB-PU-10 #	5/16"	10X14.4	58	100
JSB-PU-12 #	3/8"	12.5X16.6	73	100
JSB-PU-15 #	1/2"	15.5X20.4	93	100
JSB-PU-20 #	3/4"	20X25.3	101	50
JSB-PU-25 #	1"	25X30.5	164	50
JSB-PU-32 #	1 1/4"	32X37.7	182	20
JSB-PU-38 #	1 1/2"	38X44.2	250	20

DPJK/DPJKT 尼龙端式接头 Nylon End Type Connector

- 本体材料: 尼龙; 软管护口: 铁皮镀锌; 护圈: TPE
- 本体颜色: 灰色 (RAL 7037) 黑色 (RAL 9005)
- 温度: -40°C~115°C
- 防护等级: DPJK最高可达IP65 (需使用合适的扁平密封圈)
DPJKT最高可达IP66 (需使用合适的扁平密封圈)
- DPJK接头适用于JS、JSH、JSB软管的连接, JSG软管需要接DPJWK接头
- DPJKT接头适用于JSH、SLSH软管的连接
- 订货时请注明软管规格、螺纹尺寸及颜色, 例: DPJK-15-G1/2B, 或者DPJKT-15-G1/2B, 一端接φ15软管, 另一端G1/2"螺纹, 颜色为黑色



- Body material: nylon; tubing guard: Galvanized iron sheet; retainer: TPE
- Body color: Grey (RAL 7037), black (RAL 9005)
- Temperature range: Min-40°C, Max115°C
- IP degree: DPJK Maximum IP65 (appropriate flat sealing ring is required)
DPJKT Maximum IP66 (appropriate flat sealing ring is required)
- DPJK connector is suitable for JS, JSH, JSB tubing connection. JSG tubing needs to connect DPJWK connector
- DPJKT joint is suitable for JSH tubing connection
- When ordering, please specify the size and color of tubing thread, such as DPJK-15-G1/2B, or DPJKT-15-G1/2B. One end of tubing is connected with Phi 15 tubing, the other end is G1/2 "thread, the color is black



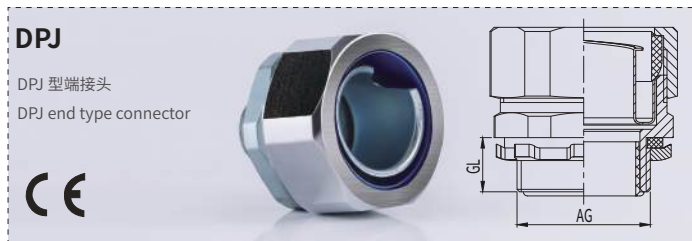
DPJK/DPJKT 尼龙端式接头标准尺寸 Standard dimensions for nylon end fittings

适配软管尺寸 For Conduit Size 公制Metric	管制螺纹 G Thread	螺纹长度 GL	公制螺纹 Metric Thread	螺纹长度 GL	(扳手尺寸) Wrench Size	包装单位 Packet
Ø8	G3/8"	12	M16	12	26	50
Ø10	G3/8"	12	M16	12	26	50
Ø12	G3/8"	12	M20	12	28	25
Ø15	G1/2"	12	M20	12	32	25
Ø20	G3/4"	13	M25	13	40	25
Ø25	G1"	15	M32	15	50	10
Ø32	G1 1/4"	15	M40	15	60	10
Ø38	G1 1/2"	16	M50	16	65	5

- ★ 软管护口可采用不锈钢材质, 订货型号在DPJK/DPJKT型号后缀增加-T, 如: DPJK-12-M20B-T, 或者DPJKT-12-M20B-T
The tubing ferrule can be made of stainless steel. The suffix of the order model is added to the DPJK/DPJKT model, such as DPJK-12-M20B-T or DPJKT-12-M20B-T.

DPJ/DPJT 端式接头 End Type Connector

- 本体材料: 锌合金镀锌; 盖封螺母: 锌合金镀铬
- DPJ护圈:TPE; 密封圈: 改性橡胶; 软管护口: 镀锌铁皮
- DPJT螺旋护圈:TPE; 密封圈: 改性橡胶; 软管护口: 镀锌铁皮
- DPJ接头适用于JS、JSH、JSB软管的连接, JSG软管需接DPJW接头 订货请注明软管规格及螺纹尺寸, 例DPJ-15-G1/2, 一端φ15软管, 另一端G1/2"外螺纹
- 温度: -40°C~100°C
- 防护等级: DPJ配合JSB平包软管可达IP65; DPJT最高可达IP66
- DPJT接头适用于JSH、SLSH软管的连接



- Body Material: Zinc alloy galvanizing; Cover nut: zinc alloy Chrome plating
- DPJ Retainer: TPE; Seal: modified rubber; Ferrule: galvanized steel
- DPJT Spiral retainer: TPE, sealing ring: modified rubber; Ferrule: galvanized iron sheet.
- DPJ connector fits with JS, JSH and JSB conduits, JSG conduit fits with DPJW connector, please inform the dimension of the conduit and the thread such as DPJ-15-G1/2", one end φ15 conduit and the other end G1/2" outer
- DPJT connector for JSH, SLSH tubing connections
- Temperature range: Min -40°C, max 100°C
- IP degree: DPJ Maximum IP65 / DPJT Maximum IP66



DPJ/DPJT 端式接头部分推荐螺纹尺寸 The Recommended Dimension Of The Connector

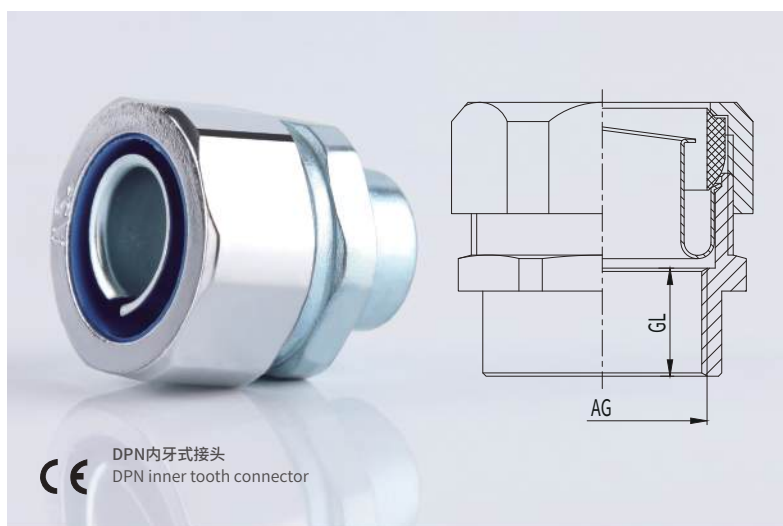
适配软管尺寸 For Conduit Size 公制Metric	管制螺纹 G Thread	螺纹长度 GL	公制螺纹 Metric Thread	螺纹长度 GL	德制螺纹 PG	螺纹长度 GL	扳手尺寸 Wrench Size	包装单位 Packet
Ø6	G1/4"	7	M12 / M14	7	PG7	8.5	18/16	100
Ø8	G3/8"	12	M14 / M16	8.5	PG9	9	24/22	50
Ø10	G3/8"	7	M16	9	PG9	9	24/22	50
Ø12	☆G3/8"	10	☆M18 / ☆M20	10	PG11/ PG13.5	11	26	50
Ø15	☆G1/2"	12	☆M20 / M22 / ☆M24	10/11/11	PG13.5 / PG16	11.5	30	50
Ø20	☆G3/4"	12	☆M25 / M27 / ☆M30	12/13.5/11.5	PG21	11.5	35	25
Ø25	☆G1"	14	☆M32 / M33 / ☆M36	12/13.5/12	PG29	13	43	20
Ø32	☆G1 1/4"	14	☆M36 / ☆M40 / M42 / ☆M48	13/14/15.5/15.5	PG29	13.5	52	10
Ø38	☆G1 1/2"	16	M48 / ☆ M50	17.5/14	PG36 / PG42	17/16	60	10
Ø51	G2"	16	M60 / ☆M63 / M64 / M72	19/14/16/18	PG48	19	75	5
Ø64	G2 1/2"	21.5	M76	20			89/87	2
Ø75	G3"	24.5	M88	24.5			102/98	2
Ø100	G4"		M114	27			134/129	2
Ø125	G5"		M140	29			158	2
Ø150	G6"		M164	29			183	2

★ 打“☆”为DPJT已有型号, 其他型号待开发

DPN 内牙式接头 Inner Tooth Connector

- 本体材料:锌合金镀锌; 盖封螺母: 锌合金镀铬
- 护圈:TPE; 软管护口:镀锌铁皮
- 温度:-40°C~100°C
- 防护等级:最高可达IP65 (配合JSB平包软管)
- 一端连接软管, 另一端连接于带螺纹钢管或装有外螺纹连接件的设备上, 订货请注明软管规格及连接螺纹尺寸, 例DPN-15-G1/2, 一端φ15软管, 另一端G1/2"内螺纹

- Body Material: Zinc alloy galvanizing; Cover nut: zinc alloy Chrome plating
- Retainer: TPE; Ferrule:galvanized steel
- Temperature range: Min-40°C,max100°C
- IP degree: Maximum IP65
- One end is connected to the conduit, and the other end is connected to the threaded steel pipe or equipment fitted with external threaded connectors. Please indicate the conduit specification and connection thread size when ordering, such as: DPN-15-G1/2", one end φ15 conduit, the other end G1/2" internal thread



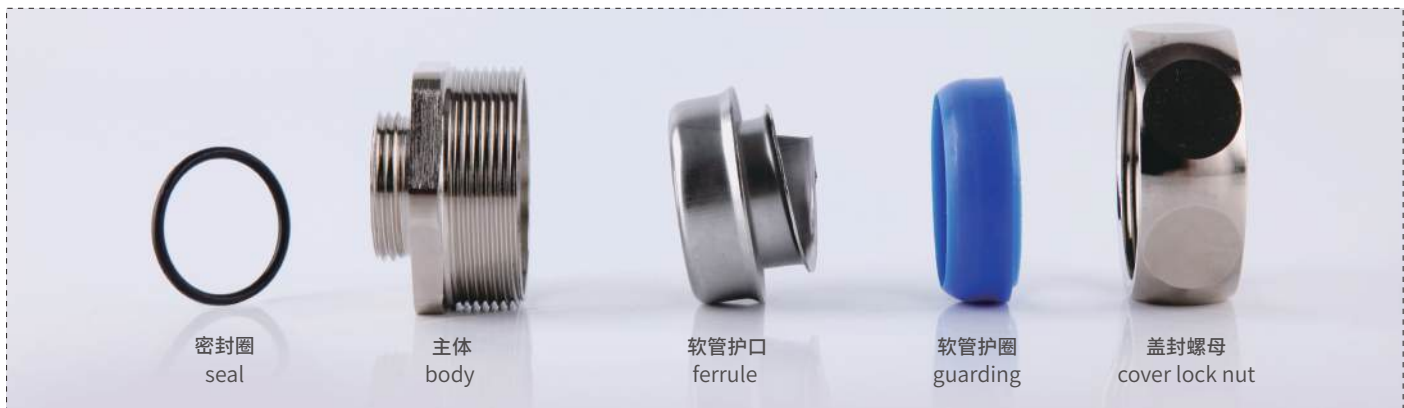
DPN 内牙式接头部分推荐螺纹尺寸 The Recommended Dimension Of The Connector

适配软管尺寸 For Conduit Size 公制Metric	管制螺纹 G Thread	螺纹长度 GL	公制螺纹 Metric Thread	螺纹长度 GL	德制螺纹 PG	螺纹长度 GL	扳手尺寸 Wrench Size	包装单位 Packet
Ø10	G3/8" /G1/2"	10/11	M16	10	PG9	10	24/22	50
Ø12	G3/8"	11	M18 / M20	11			26/24	50
Ø15	G1/2" /G3/4"	14/12	M16 / M20/ M24	10/12.5/12	PG16	12	30/28	50
Ø20	G3/4"	14	M20 / M25 / M27 / M32	12/12/12/13/13	PG16	13	35/33	25
Ø25	G1"	12.5	M32 / M33	12.5			42/40	20
Ø32	G1 1/4"	15	M32 / M40 / M42	12.5/14/15			52/50	10
Ø38	G1 1/2"	16	M48 / M50 /M60	16			60/58	10
Ø51	G2"	18	M60	18			74/72	5
Ø64	G2 1/2"	18	M76	18			89/85	2
Ø75	G3"	18	M88	18			102/98	2
Ø100	G4"	22					133/130	2

DPJ1金属软管接头 Metal Conduit Connector

- 材料: 本体及盖封螺母黄铜镀镍
- 护圈: TPE; 密封圈: 改性橡胶; 软管护口: 铁皮镀锌镍
- 温度: -40°C~100°C
- 防护等级: 最高可达IP65 (配合JSB平包软管)
- DPJ1接头适用于JS、JSH、JSB、SLSH、SLS软管的连接, JSG软管需接DPJW1接头。订货请注明软管规格及螺纹尺寸, 例DPJ1-15-G1/2, 一端φ15软管, 另一端G1/2"外螺纹

- Material: Body and cover lock nut : Nickel-plated brass
- Retainer: TPE; Seal: modified rubber; ferrule Ferrule: Galvanized nickel-plated steel
- Temperature range: Min-40°C, max100°C
- DPJ1 connector is suitable for JS, JSH, JSB, SLSH and SLS conduits, while JSG conduits should use DPJW1. When place the order, please inform the dimension for the conduit and the thread such as DPJ1-15-G1/2", one end φ15 conduit and the other end G1/2" within thread



DPJ1 金属软管接头部分推荐螺纹尺寸

The Recommended Dimension Of The Connector

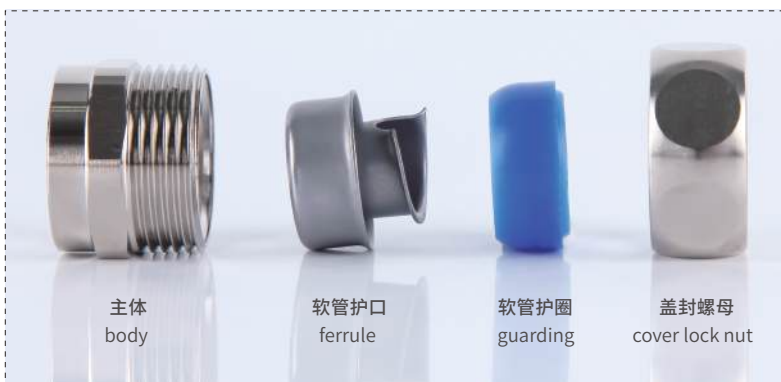
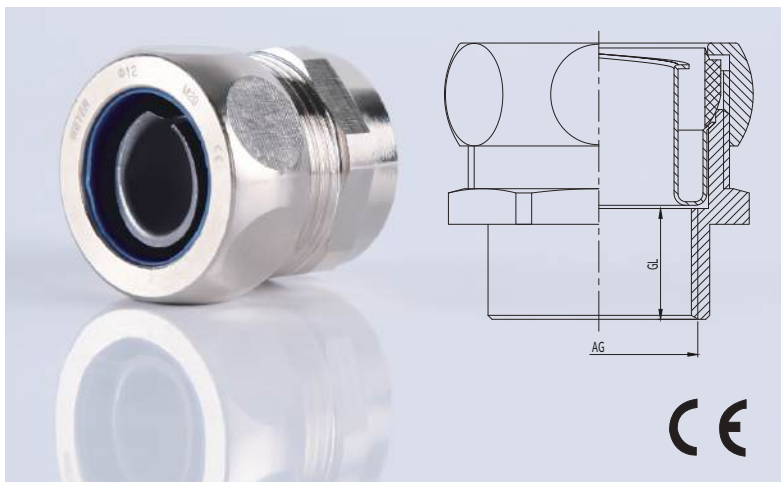
适配软管尺寸 For Conduit Size 公制Metric	管制螺纹 G Thread	螺纹长度 GL	公制螺纹 Metric Thread	螺纹长度 GL	德制螺纹 PG	螺纹长度 GL	扳手尺寸 Wrench Size	包装单位 Packet
Ø6	G1/4"	8	M12/M14	6	PG7	6	18/17	75
Ø8	G3/8"	8	M14/M16	7	PG9	7	20/19	75
Ø10	G3/8"	8	M16	7	PG9	7	24/22	32
Ø12	G3/8"	8	M18/M20	7	PG11/PG13.5	7	26/24	18
Ø15	G1/2"	8	M20/M22/M2	7	PG13.5/PG16	7	30/28	18
Ø20	G3/4"	8	M25/M27/M30	7/8/8	PG21	7	36/34	18
Ø25	G1"	9	M32/M33/M36	8	PG29	8	45/40	8
Ø32	G1 1/4"	10	M36/M40/M42/M48	8/9/9/9	PG29	8	55/50	8
Ø38	G1 1/2"	10	M48/M50	9	PG36/PG42	9	60/55	2
Ø51	G2"	11	M60/M63/M64/M72	10/10/10/12	PG48	10	75/70	2
Ø64	G2 1/2"	11	M72/M76	12			90/86	2
Ø75	G3"		M88	12			100	1
* Ø100	G4"		M114					1
* Ø125	G5"		M140					1
* Ø150	G6"		M164					1

- ★ 所有规格材质可以提供不锈钢DPJS系列和铝合金DPJAL系列
 DPJS (stainless steel version) and DPJAL (aluminum version) are available for all sizes.
 所有打*暂未开发 All article No. marked * hasn't been developed

DPN1 内螺纹金属软管接头 Metal Conduit Connector With Internal Thread

- 材料: 本体及盖封螺母黄铜镀镍
- 护圈: TPE; 软管护口: 铁皮镀锌镍
- 温度: -40°C~100°C
- 防护等级: 最高可达IP65 (配合JSB平包软管)
- DPN1接头适用于JS、JSH、JSB、SLSH、SLS软管的连接, JSG软管需接DPNW1接头。订货请注明软管规格及螺纹尺寸, 例DPN1-15-G1/2, 一端φ15软管, 另一端G1/2内螺纹

- Material: Body and cover lock nut : Nickel-plated brass
- Retainer: TPE; Ferrule: Galvanized nickel-plated steel
- Temperature range: Min-40°C,max100°C
- IP degree: IP65(with JSB)
- DPN1 connector is suitable for JS, JSH, JSB, SLSH and SLS conduits, while JSG conduits should use DPNW1. When place the order, please inform the dimension for the conduit and the thread such as DPN1-15-G1/2, one end φ15 conduit and the other end G1/2 within thread



DPN1 内螺纹金属软管接头部分推荐螺纹尺寸 The Recommended Dimension Of The Connector

适配软管尺寸 For Conduit Size 公制Metric	管制螺纹 G Thread	螺纹长度 GL	公制螺纹 Metric Thread	螺纹长度 GL	德制螺纹 PG	螺纹长度 GL	扳手尺寸 Wrench Size	包装单位 Packet
Ø6	G1/4"	14	M12/M14	12	PG7	12	18/17	75
Ø8	G3/8"	14	M14/M16	12	PG9	12	20/19	75
Ø10	G3/8"	14	M16	12	PG9	12	24/22	32
Ø12	G3/8"	14	M18/M20	12	PG11/PG13.5	12	26/24	18
Ø15	G1/2"	14	M20/M22/M24	12/12/14	PG13.5/PG16	12	30/28	18
Ø20	G3/4"	14	M25/M27/M30	14	PG21	14	36/34	18
Ø25	G1"	17	M32/M33/M36	14	PG29	14	45/40	8
Ø32	G1 1/4"	17	M36/M40/M42/M48	14/17/17/17	PG29	14	55/50	8
Ø38	G1 1/2"	17	M48/M50	17	PG36 / PG42	17	60/55	2
Ø51	G2"	17	M60/M63/M64/M72	17	PG48	17	75/70	2
Ø64	G2 1/2"		M76				90/86	2
Ø75	G3"		M88				100	1
* Ø100	G4"		M114					1
* Ø125	G5"		M140					1
* Ø150	G6"		M164					1

- ★ 所有规格材质可以提供不锈钢DPNS系列和铝合金DPNAL系列
DPNS (stainless steel version) and DPNAL (aluminum version) are available for all sizes.
所有打*暂未开发 All article No. marked * hasn't been developed

USPZ 带锁紧金属软管接头 Metal Conduit Connector With Strain Relief

- 材料: 外部金属为黄铜镀镍; 密封件为改性橡胶; 芯套为PA6, 软管护口: 铁皮镀锌镍, 软管护圈为TPE
- 温度: -40°C~100°C, 短时达到120°C
- 防护等级: 最高IP65(配合JSB平包软管)

- Material: The outer metal is nickel-plated brass; The seal is modified rubber; Core is PA6, Ferrule: Galvanized nickel-plated steel
- Temperature range: Min-40°C, Max100°C, Short-term120°C
- IP degree: IP65



USPZ-PG 德国PG制螺纹 German PG Thread

规格型号 Article No.	螺纹规格 Thread mm	卡口范围 Clamping mm	螺纹长度 GL	扳手尺寸 Wrench Size mm	(H) mm	适配软管(公称内径) Fits to Tubing Size (Nominal)mm	包装单位 Packet
USPZ-P07/Φ6	PG7	3~5	6	18/17/14	31.7	Φ6	50
USPZ-P09/Φ8	PG9	4~7	7	20/19/17	33	Φ8	50
USPZ-P11/Φ10	PG11	5~8	6	24/22/20	37	Φ10	32
USPZ-P13.5/Φ12	PG13.5	6~11	7	26/26/22	42.4	Φ12	9
USPZ-P16/Φ15	PG16	8~14	7	30/28/24	43	Φ15	9
USPZ-P21/Φ20	PG21	13~18	7	36/34/30	47	Φ20	9
USPZ-P29/Φ25	PG29	18~24	8	45/40/40	56.8	Φ25	4
USPZ-P36/Φ32	PG36	22~30	9	55/52/50	65	Φ32	4
USPZ-P42/Φ38	PG42	30~37	9	60/58/58	68.8	Φ38	2
USPZ-P48/Φ51	PG48	37~44	10	75/75/65	72.7	Φ51	1

USPZ-M 公制螺纹 Metric Thread

规格型号 Article No.	螺纹规格 Thread mm	卡口范围 Clamping mm	螺纹长度 GL	扳手尺寸 Wrench Size mm	H mm	适配软管(公称内径) Fits To Tubing Size (Nominal inner)mm	包装单位 Packet
USPZ-M12/Φ6	M12×1.5	3~5	6	18/17/14	30.7	Φ6	50
USPZ-M16/Φ8	M16×1.5	4~7	7	20/19/18	33	Φ8	50
USPZ-M18/Φ10	M18×1.5	5~8	7	24/22/20	37	Φ10	32
USPZ-M20/Φ12	M20×1.5	6~11	7	26/26/22	42.4	Φ12	9
USPZ-M20/Φ15	M20×1.5	6~12	7	30/28/22	43	Φ15	9
USPZ-M22/Φ15	M22×1.5	8~14	7	30/28/24	43	Φ15	9
USPZ-M24/Φ15	M24×1.5	8~14	7	30/28/27	43	Φ15	9
USPZ-M25/Φ15	M25×1.5	10~14	7	30/28/28	44	Φ15	9
USPZ-M25-D/Φ20	M25×1.5	13~18	7	36/34/30	47	Φ20	9
USPZ-M32-H/Φ20	M32×1.5	13~18	8	36/34/36	47	Φ20	9
USPZ-M32/Φ25	M32×1.5	15~22	8	45/40/36	51.8	Φ25	4
USPZ-M36-H/Φ25	M36×2.0	15~22	8	45/40/40	51.8	Φ25	4
USPZ-M40/Φ32	M40×1.5	22~30	9	55/52/45	62	Φ32	4
USPZ-M48/Φ32	M48×2.0	22~30	9	55/52/55	65	Φ32	4
USPZ-M40-D/Φ38	M40×1.5	22~32	9	60/55/50	67.3	Φ38	2
USPZ-M50/Φ38	M50×1.5	30~37	9	60/58/55	68.8	Φ38	2
USPZ-M50/Φ51	M50×1.5	30~38	9	75/75/55	71.7	Φ51	1
USPZ-M60/Φ51	M60×2.0	37~44	10	75/75/65	72.7	Φ51	1

★ 所有规格材质可以提供不锈钢USPZS系列和铝合金USPZAL系列
USPZS (stainless steel version) and USPZAL (aluminum version) are available for all sizes.



CE **DNJ 45° 弯接头**
DNJ 45°curved connector

CE **DWJ 90° 弯接头**
DWJ90°curved connector

规格型号 Specification		连接螺纹 G Thread	公制 Metric	包装单位 Packet
公制Metric	英制English	G制	Thread	
☆ Ø12	3/8"	G3/8"	M16	20
☆ Ø15	1/2"	G1/2"	M20	20
☆ Ø20	3/4"	G3/4"	M25	20
☆ Ø25	1"	G1"	M32	10
☆ Ø32	1 1/4"	G1 1/4"	M40	10
☆ Ø38	1 1/2"	G1 1/2"	M50	5
☆ Ø51	2"	G2"	M63	2
☆ Ø64	2 1/2"	G2 1/2"	M72	2
☆ Ø75	3"	G3"		1
* Ø100	4"	G4"		1

打“☆”为图中对应产品

Type "☆" as the corresponding product in the figure

- 一端连接软管，一端成90°连接箱体,电机等设备, 订货请注明软管规格及连接螺纹,例:DWJ-15-G1/2

- 一端连接软管，一端成45°连接箱体,电机等设备, 订货请注明软管规格及连接螺纹,例:DNJ-15-G1/2

- One end is connected with conduit, and the other end is connected with box, motor and other equipment at 90°, Please indicate conduit specification and connecting thread when ordering, for example: DPJ-15-G1/2

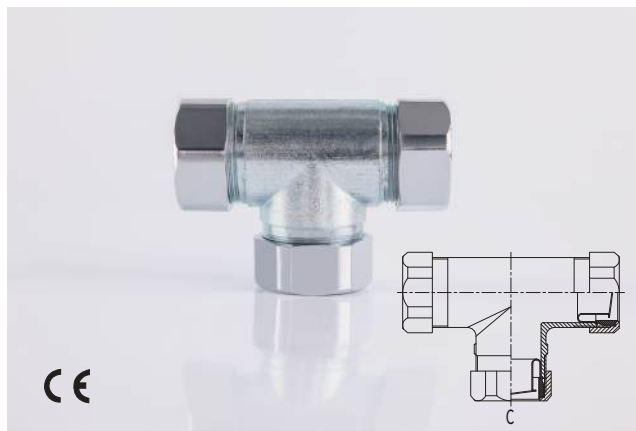
- One end is connected with conduit, and the other end is connected with box, motor and other equipment at 45°, Please indicate conduit specification and connecting thread when ordering, for example: DNJ-15-G1/2

DPT-T 型三通接头 Metal T-Distributor

DPY-Y 型三通接头 Metal Y-Distributor

- 材料: 锌合金
- 温度: -40°C~100°C
- 护圈: TPE 软管护口: 镀锌铁皮
- 例: DPT-20 25 12 此接头接三种规格金属软管其中最后一规格12为T脚见示意图C端

- Material: Zinc alloy
- Temperature range: Min-40°Cmax 100°C
- Retainer: TPE Ferrule: Galvanized steel
- Eg: DPT-20 20 12 is suitable for three kinds of conduits, the last size 12 is the T pin, refer to section C in the drawing.



规格型号 Article No.	适配软管规格 For Conduit Size
DPT-101020	Ø10/Ø10/Ø20
DPT-122025	Ø12/Ø20/Ø25
DPT-122515	Ø12/Ø25/Ø15
DPT-122525	Ø12/Ø25/Ø25
DPT-151520	Ø15/Ø15/Ø20
DPT-151525	Ø15/Ø15/Ø25
DPT-152025	Ø15/Ø20/Ø25
DPT-152525	Ø15/Ø25/Ø25
DPT-152532	Ø15/Ø25/Ø32
DPT-153225	Ø15/Ø32/Ø25
DPT-202020	Ø20/Ø20/Ø20
DPT-202025	Ø20/Ø20/Ø25
DPT-202512	Ø20/Ø25/Ø12
DPT-202525	Ø20/Ø25/Ø25
DPT-202532	Ø20/Ø25/Ø32
DPT-252512	Ø25/Ø25/Ø12
DPT-252515	Ø25/Ø25/Ø15
DPT-252525	Ø25/Ø25/Ø25
DPT-252532	Ø25/Ø25/Ø32
DPT-253215	Ø25/Ø32/Ø15
DPT-253220	Ø25/Ø32/Ø20
DPT-253232	Ø25/Ø32/Ø32
DPT-323238	Ø32/Ø32/Ø38
DPT-382525	Ø38/Ø25/Ø25
DPT-383838	Ø38/Ø38/Ø38
DPT-513825	Ø51/Ø38/Ø25

规格型号 Article No.	适配软管规格 For Conduit Size
DPY-121212	Ø12/Ø12/Ø12
DPY-121215	Ø12/Ø12/Ø15
DPY-121220	Ø12/Ø12/Ø20
DPY-121515	Ø12/Ø15/Ø15
DPY-121520	Ø12/Ø15/Ø20
DPY-122020	Ø12/Ø20/Ø20
DPY-122025	Ø12/Ø20/Ø25
DPY-122525	Ø12/Ø25/Ø25
DPY-122532	Ø12/Ø25/Ø32
DPY-123232	Ø12/Ø32/Ø32
DPY-151515	Ø15/Ø15/Ø15
DPY-151520	Ø15/Ø15/Ø20
DPY-152025	Ø15/Ø20/Ø25
DPY-152525	Ø15/Ø25/Ø25
DPY-152532	Ø15/Ø25/Ø32
DPY-153232	Ø15/Ø32/Ø32
DPY-202020	Ø20/Ø20/Ø20
DPY-202025	Ø20/Ø20/Ø25
DPY-202032	Ø20/Ø20/Ø32
DPY-202525	Ø20/Ø25/Ø25
DPY-202532	Ø20/Ø25/Ø32
DPY-203232	Ø20/Ø32/Ø32
DPY-252525	Ø25/Ø25/Ø25
DPY-252532	Ø25/Ø25/Ø32
DPY-253232	Ø25/Ø32/Ø32
DPY-322520	Ø32/Ø25/Ø20
DPY-323232	Ø32/Ø32/Ø32
DPY-323238	Ø32/Ø32/Ø38
DPY-383838	Ø38/Ø38/Ø38

SPR-AS 金属软管 Metal Conduit

- 结构: 镀锌钢带绕制而成, 钩状侧面
 - 温度范围: 最高耐温至220°C
 - 防护等级: IP40(按照EN60529)
 - 性能: 高度灵活, 抗拉伸, 抗侧面压缩
-
- Structure: Zinc plated steel belt wound, hooked profile
 - Temperature range: max. 220°C
 - IP degree: IP40 according to EN60529
 - Properties: Highly flexible, stretch resistant, lateral compression resistant



规格型号 Article no.	内径×外径 ID×OD mm×mm	弯曲半径 Bending Radius mm±10%	重量 Weight kg/m±10%	包装单位 (米/卷)PU (m/ring)
SPR-AS AD10	7×10	25	0.064	100
SPR-AS AD14	11×14	33	0.102	100
SPR-AS AD17	14×17	36	0.13	100
SPR-AS AD19	15.6×19	37	0.15	100
SPR-AS AD21	17.6×21	40	0.173	50
SPR-AS AD27	23.2×27	55	0.3	50
SPR-AS AD36	31×36	68	0.526	25
SPR-AS AD45	40×45	86	0.69	25
SPR-AS AD56	51×56	113	0.82	20

WEYERgraff-AS 金属软管 Metal Conduit

- 结构: 镀锌钢带绕制而成, 双层重叠
 - 温度范围: 最高耐温至220°C
 - 防护等级: IP40
 - 性能: 高度灵活, 非常高的抗拉力和扭力
-
- Structure: Strip-wound galvanized metallic conduit, double overlapped profile
 - Temperature range: Max. 220°C
 - IP degree: IP40
 - Properties: Very flexible, high tensile and twisting strength



规格型号 Article No.	内径×外径 ID×OD mm×mm	弯曲半径 Bending Radius mm±10%	重量 Weight kg/m±10%	包装单位 (米/卷)Packet (m/roll)
WEYERgraff-AS AD14	11.2×14	45	0.13	100
WEYERgraff-AS AD17	14×17	60	0.25	100
WEYERgraff-AS AD19	16×19	63	0.28	100
WEYERgraff-AS AD21	18×21	70	0.3	100
WEYERgraff-AS AD27	23.2×27	90	0.39	50
WEYERgraff-AS AD36	31×36	130	0.75	50
WEYERgraff-AS AD45	40.2×45	170	0.95	50
WEYERgraff-AS AD56	51×56	220	1.2	50

WEYERgraff-ASS-φ系列不锈钢金属软管 Metal Conduit With S tainless Steel

- 结构: 不锈钢带绕制而成, 双层重叠
- 温度范围: 最高耐温至700°C
- 防护等级: IP40
- 性能: 高度灵活, 非常高的抗拉力和扭力
- 适配接头: DPJ系列接头

- Structure: Strip-wound stainless steel conduit, Double overlapped profile
- Temperature range: Max.700°C
- IP degree: IP40
- Properties: Very flexible, high tensile and twisting strength
- Adapter connector: DPJ series connector



规格型号 Article No.	内径×外径 ID×OD mm×mm	弯曲半径 Bending Radius mm	重量 Weight kg/m	包装单位 (米/卷)Packet (m/roll)
WEYERgraff-ASS-φ15	15×19	63	0.26	100
WEYERgraff-ASS-φ20	20×24	80	0.37	50
WEYERgraff-ASS-φ25	25×29	100	0.48	50
WEYERgraff-ASS-φ32	32×37	130	0.56	25
WEYERgraff-ASS-φ38	38×43	170	0.64	25

WEYERgraff-PU-AS 金属包塑软管 Metal Conduit With PU Sheathing

- 结构: 镀锌钢带绕制而成, 双层重叠, 外包TPU聚氨酯护套
- 颜色: 灰色 (RAL 7037) 黑色 (RAL 9005)
- 温度: -40°C~100°C, 短时达到120°C
- 防护等级: IP68(按照EN60529)
- 性能: 非常高的抗拉力和扭力, 抗油、溶剂和酸, 耐低温, 阻燃、无卤、高防护, 灵活性好

- Structure: Strip-wound galvanized metallic conduit, double overlapped profile overlapped profile PU sheathing
- Color: Grey (RAL 7037), black (RAL 9005)
- Temperature range: Min-40°C, max 100°C, short term 120°C
- IP degree: IP68 according to EN 60529
- Properties: High tensile and twisting strength resistant to oil, solvents and acids, outstanding performance at low temperatures, flame-resistant, halogen-free, high shielding, very flexible

所有打*暂未开发

All article No. marked * hasn't been developed



规格型号 Article No.	内径×外径 ID×OD mm×mm	弯曲半径 Bending Radius mm±10%	重量 Weight kg/m±10%	包装单位 (米/卷)Packet (m/roll)
* WEYERgraff-PU-AS AD14	11×14	50	0.164	100
WEYERgraff-PU-AS AD17	13×17	67	0.29	100
WEYERgraff-PU-AS AD19	15×19	70	0.33	100
WEYERgraff-PU-AS AD21	17×21	78	0.35	50
WEYERgraff-PU-AS AD27	22×27	100	0.46	50
WEYERgraff-PU-AS AD36	29×36	150	0.86	25
WEYERgraff-PU-AS AD45	38×45	190	1.1	25
* WEYERgraff-PU-AS AD56	49×56	240	1.42	25

SPR-PVC-AS 金属包塑软管 Metal Conduit With PVC Sheathing

- 结构: 镀锌钢带绕制而成, 钩状侧面, 外包PVC塑料
- 颜色: 灰色 (RAL 7037) 黑色 (RAL 9005)
- 温度: -25°C~80°C, 短时达到100°C
- 防护等级: IP68(按照EN60529)
- 阻燃等级: V0(UL94)
- 性能: 灵活性好, 抗压、防水、耐酸油等。符合DIN49012标准

- Structure: Strip-wound galvanized metallic conduit, hooked profile PVC sheathing
- Color: Grey (RAL 7037), black (RAL 9005)
- Temperature range: Min-25°C, max 80°C, short-term 100°C
- IP degree: IP68 according to EN 60529
- Flame-retardant: V0(UL94)
- Properties: High flexibility, resistance to pressure, water, acid and oil, etc. Conforms to DIN 49012.

★ 订货编号: #=B(黑色)、G(灰色)
Order number: #=B(Black), G(Grey)



规格型号 Article No.	内径×外径 ID×OD mm×mm	弯曲半径 Bending Radius mm±10%	重量 Weight kg/m±10%	包装单位 (米/卷)Packet (m/roll)
SPR-PVC-AS AD10 #	7×10.2	40	0.085	100
SPR-PVC-AS AD14 #	10×14.2	56	0.135	100
SPR-PVC-AS AD17 #	13×17.2	65	0.17	100
SPR-PVC-AS AD19 #	15.5×19.9	80	0.2	100
SPR-PVC-AS AD21 #	17×21.4	85	0.22	50
SPR-PVC-AS AD27 #	22×26.8	110	0.34	50
SPR-PVC-AS AD36 #	29.5×35.6	130	0.62	25
SPR-PVC-AS AD45 #	38×45	150	0.82	25
SPR-PVC-AS AD56 #	49×56	220	0.97	20

SPR-PU-AS 金属包塑软管 Metal Conduit With PU Sheathing

- 结构: 镀锌钢带绕制而成, 钩状结构, 外包TPU聚氨酯护套
- 颜色: 灰色 (RAL 7037) 黑色 (RAL 9005)
- 温度: -40°C~100°C, 短时达到120°C
- 防护等级: IP68(按照EN60529)
- 阻燃等级: V0(UL94)
- 性能: 抗油、汽油, 广泛防溶剂和酸, 阻燃、无卤、高韧性、耐磨、耐低温, 灵活性好

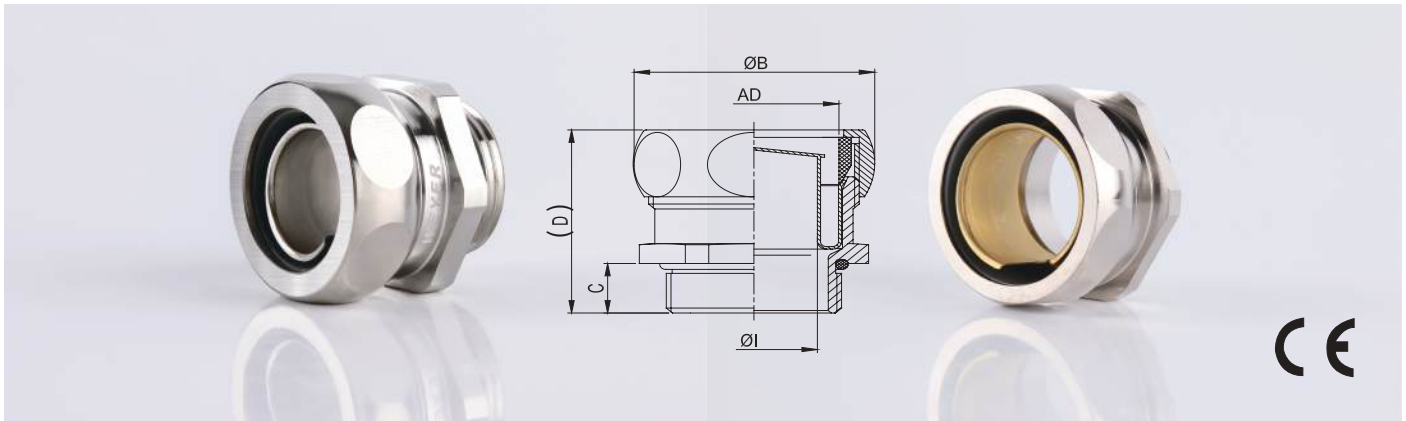
- Structure: Zinc plated steel belt winding, hooked structure, TPU sheathing.
- Color: Grey (RAL 7037), black (RAL 9005)
- Temperature range: Min-40°C, max 100°C, short term 120°C
- IP degree: IP68 according to EN 60529
- Flame-retardant: V0(UL94)
- Properties: Resistant to oil and gasoline, resistant to a wide range of anti-solvents and acids, flame retardant, halogen-free, high toughness, abrasion resistance, low temperature resistance, high flexibility

★ 订货编号: #=B(黑色)、G(灰色)
Order number: #=B(Black), G(Grey)



规格型号 Article No.	内径×外径 ID×OD mm×mm	弯曲半径 Bending Radius mm±10%	重量 Weight kg/m±10%	包装单位 (米/卷)Packet (m/roll)
SPR-PU-AS AD10 #	7×10.2	45	0.085	100
SPR-PU-AS AD14 #	10×14.2	65	0.135	100
SPR-PU-AS AD17 #	13×17.2	80	0.17	100
SPR-PU-AS AD19 #	15.5×19.9	90	0.2	100
SPR-PU-AS AD21 #	17×21.4	95	0.22	50
SPR-PU-AS AD27 #	22×26.8	120	0.34	50
SPR-PU-AS AD36 #	29.5×35.6	140	0.62	25
SPR-PU-AS AD45 #	38×45	170	0.82	25
SPR-PU-AS AD56 #	49×56	240	0.97	20

US/USP 金属软管接头 Metal Conduit Connector



- US接头主要用于连接SPR-AS或WEYERgraff-AS软管
 - USP接头主要用于连接SPR-PVC-AS、SPR-PU-AS、WEYERgraff-PU-AS金属软管
 - 防护等级: 最高IP65(按照EN60529)
 - 温度: -40°C~100°C
 - 材质: 接头体: 黄铜镀镍
 - 密封圈: 改性橡胶
 - 护套: 黄铜(USP),黄铜镀镍(US)
 - 密封套: TPE
 - 螺纹规格: PG螺纹(DIN40430)、公制螺纹(EN60423)及国标公制和管螺纹等
 - 结构: 结构简单, 安装方便, 非常美观
- US connectors fit with SPR-AS or WEYERgraff-AS tubing
 - USP connector are mainly for SPR-PVC-AS、SPR-PU -AS and WEYERgraff-PU-AS tubing
 - IP degree: IP65(as per EN 60529)
 - Temperature range: Min-40°C,max 100°C
 - Material: connector body: nickel-plated brass
 - O-ring: modified rubber
 - Ferrule: brass(USP), nickel-plated brass (US)
 - Sealing ring:TPE
 - Thread: PG thread (DIN 40430) metric thread(EN60423),Chinese metric thread and G thread etc
 - Structure: Simple structure,easy to assembly,perfect appearance

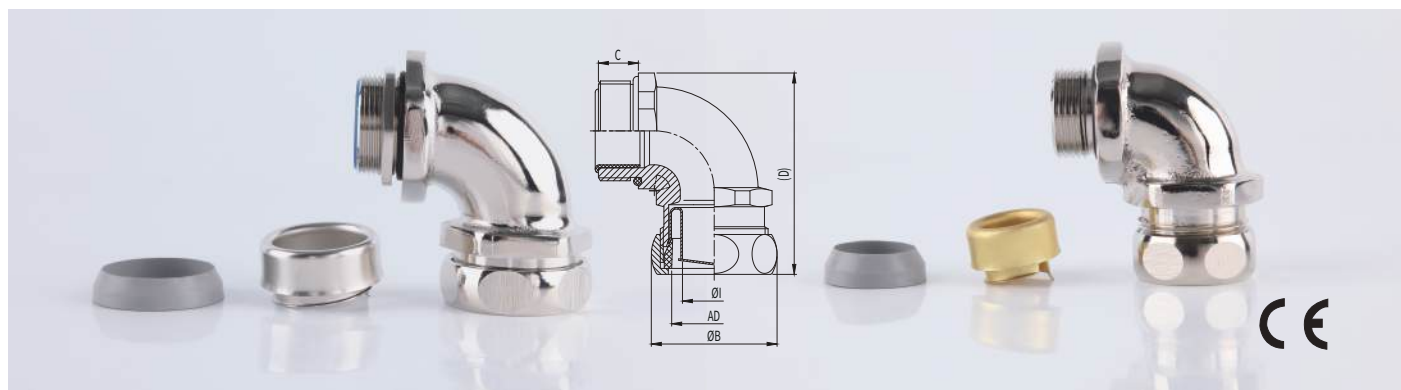
US/USP-M 公制螺纹 Metric Thread

规格型号 Article No.	φI mm	规格型号 Article No.	φI mm	螺纹规格 Thread	适配软管 Fits to Tu Bing Size	φB mm	C mm	(D) mm	SW1 mm	SW2 mm	包装单位 Packet
US-M10/AD10	6.5	USP-M10/AD10	6	M10×1.0	AD 10	18.3	6	23	15	17	75
US-M12/AD14	10	USP-M14/AD14	8.5	M12×1.5	AD 14	22.5	6	24	19	21	32
US-M16/AD17	12.5	USP-M16/AD17	11.5	M16×1.5	AD 17	28	7	27	23	26	18
US-M18/AD19	14.5	USP-M18/AD19	13.5	M18×1.5	AD 19	29	7	27	26	27	18
US-M20/AD21	16.5	USP-M 20/AD21	15.5	M20×1.5	AD 21	32.5	7	27	27	30	18
US-M25/AD27	21	USP-M25/AD27	20	M25×1.5	AD 27	39	7	34	34	36	18
US-M32/AD36	29	USP-M32/AD36	27.5	M32×1.5	AD 36	48	8	35.5	45	45	8
US-M40/AD45	38	USP-M40/AD45	36.5	M40×1.5	AD 45	58	9	38.1	52	55	8
US-M50/AD56	49	USP-M50/AD56	47.5	M50×1.5	AD 56	69	9	42	65	65	2
US-M63/AD56	49	USP-M63/AD56	47.5	M63×1.5	AD 56	75	10	42	70	70	2

US/USP-P 德国 PG 螺纹 PG Thread

规格型号 Article No.	φI mm	规格型号 Article No.	φI mm	螺纹规格 Thread	适配软管 Fits to Tubing Size	φB mm	C mm	(D) mm	SW1 mm	SW2 mm	包装单位 Packet
US-P07/AD10	6.5	USP-P07/AD10	6	PG7	AD10	18.3	6	23	15	17	75
US-P09/AD14	10	USP-P09/AD14	8.5	PG9	AD14	23	7	35	19	21	32
US-P11/AD17	12.5	USP-P11/AD17	11.5	PG11	AD17	28	7	27	24	26	18
US-P13.5/AD19	14.5	USP-P13.5/AD19	13.5	PG13.5	AD19	29	7	27	26	27	18
US-P16/AD21	16.5	USP-P16/AD21	15.5	PG16	AD21	32.5	7	27	27	30	18
US-P21/AD27	21	USP-P21/AD27	20	PG21	AD27	39	7	34	34	36	8
US-P29/AD36	29	USP-P29/AD36	27.5	PG29	AD36	48	8	35.6	45	45	8
US-P36/AD45	38	USP-P36/AD45	36.5	PG36	AD45	58	9	38.1	52	55	8
US-P48/AD56	49	USP-P48/AD56	47.5	PG48	AD56	69	10	42	65	65	2

USW/USWP 直角接头 Elbow Connector



- USW接头主要用于连接SPR-AS或WEYERgraff-AS软管
- USWP接头主要用于连接SPR-PVC-AS、SPR-PU-AS WEYERgraff-PU-AS软管
- USW connector fits with SPR-AS or WEYERgraff-AS tubing
- USWP connector fits with SPR-PVC-AS, SPR-PU-AS WEYERgraff-PU-AS tubing

USW/USWP-M 公制螺纹 Metric Thread

规格型号 Article No.	φI mm	规格型号 Article No.	φI mm	螺纹规格 Thread	适配软管 Fits to Tubing Size	φB mm	C mm	D mm	SW mm	包装单位 Packet
* USW	6.5	USWP	6	M12/M14/M16	AD10	19	8	33	17	25
* USW	10	USWP	8.5	M14/M16/M18	AD14	24	9	43	21	25
* USW	12.5/14.5	USWP	11.5/13.5	M18/M20/M22	AD17/AD19	28	10	55	25	20
* USW	16.5	USWP	15.5	M20/M22/M25/M27	AD21	32.5	10	56	29	20
* USW	21.5	USWP	20	M25/M27/M30/M32	AD27	39	14	73	34	10
* USW	29	USWP	27.5	M32/M36 /M40/M42	AD36	48	14	90	43	10
* USW	38	USWP	36.5	M40/M42/M48/M50	AD45	58	14	105	55	5

USW/USWP-P 德国 PG 螺纹 PG Thread

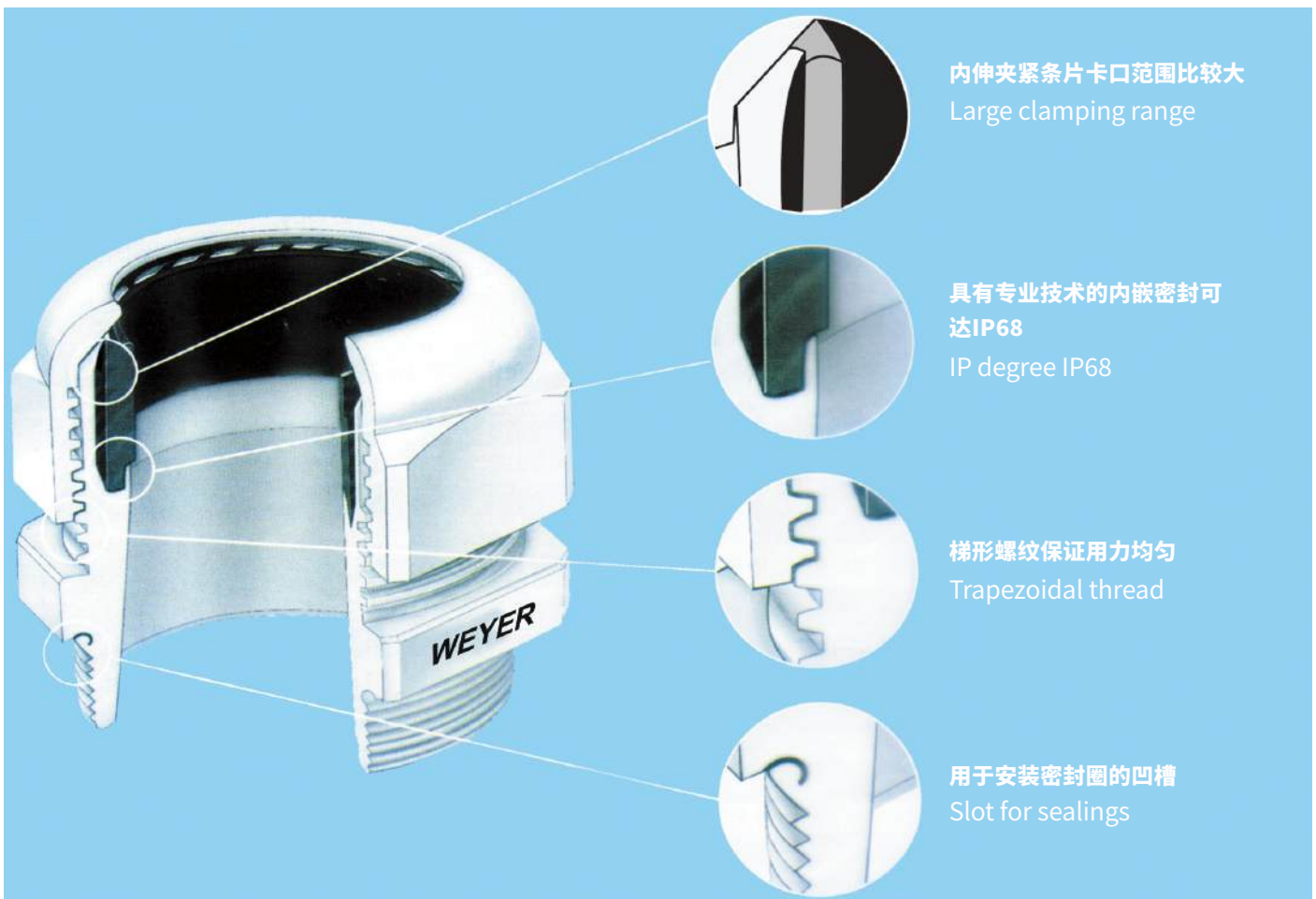
规格型号 Article No.	φI mm	规格型号 Article No.	φI mm	螺纹规格 Thread	适配软管 Fits to Tubing Size	φB mm	C mm	D mm	SW mm	包装单位 Packet
* USW	6.5	USWP	6	PG7/PG9	AD10	19	8	33	17	25
* USW	10	USWP	8.5	PG9/PG11	AD14	24	9	43	21	25
* USW	12.5/14.5	USWP	11.5/13.5	PG11/PG13.5	AD17/AD19	28	10	55	25	20
* USW	16.5	USWP	15.5	PG13.5/PG16	AD21	32.5	10	56	29	20
* USW	21	USWP	20	PG16/ PG21	AD27	39	14	73	34	10
* USW	29	USWP	27.5	PG21/ PG29	AD36	48	14	90	43	10
* USW	38	USWP	36.5	PG29/ PG36	AD45	58	14	10.5	55	5

USW/USWP-G G制管螺纹 G Thread

规格型号 Article No.	φI mm	规格型号 Article No.	φI mm	螺纹规格 Thread	适配软管 Fits to Tubing Size	φB mm	C mm	D mm	SW mm	包装单位 Packet
* USW	6.5	USWP	6	G1/4" /G3/8"	AD10	19	8	33	17	25
* USW	10	USWP	8.5	G3/8"	AD14	24	9	43	21	25
* USW	12.5/14.5	USWP	11.5/13.5	G3/8" /G1/2"	AD17/AD19	28	10	55	25	20
* USW	16.5	USWP	15.5	G1/2" / G3/4"	AD21	32.5	10	56	29	20
* USW	21	USWP	20	G3/4"	AD27	39	14	73	34	10
* USW	29	USWP	27.5	G1" / G1 1/4"	AD36	48	14	90	43	10
* USW	38	USWP	36.5	G1 1/4" / G1 1/2"	AD45	58	14	105	55	5

所有打*暂未开发 All article No. marked * hasn't been developed

电缆防水接头系列 Cable Gland Series



电缆防水夹紧接头主要用于对电缆夹、固定、防水、防尘。广泛应用于控制柜、仪器仪表、灯具、机械设备、机车、电机马达、工程等领域。我们可以同时提供灰白色 (RAL7035), 浅灰色 (Pantone538), 深灰色 (RAL7037), 黑色 (RAL9005) 和蓝色 (RAL5012) 的电缆防水接头以及防核辐射电缆防水接头。

Cable glands are mainly used to clamp, fix and protect the cables from water and dust. They are widely applied to such fields as control boards, apparatuses, lights, mechanical equipments, train, motors, engineering etc. We can provide you with cable glands of grey white (RAL7035), light grey (Pantone538), dark grey (RAL7037), black (RAL9005), blue (RAL5012) and nuclear radiation-proof cable glands.

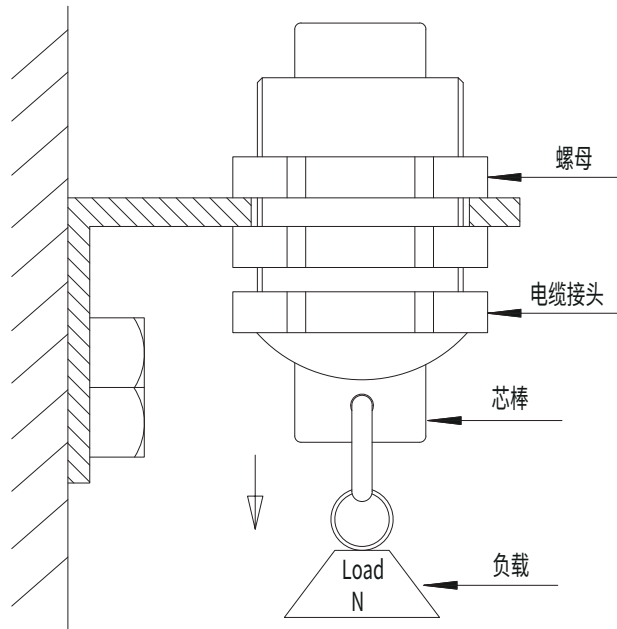
电缆防水接头性能测试方法、测试报告

Testing Methods And Testing Reports For Cable Gland



电缆接头夹紧扭矩测试

Torque moment test according to EN50262



电缆接头夹紧拉力测试

Tensile force test according to EN50262



铁道部产品质量监督检验中心车辆检验站 检验报告首页

产品名称	金属、屏蔽电缆接头	型号规格	PG7~PG48.M12~M63
委托单位	上海文依电器有限公司		
制造单位	上海文依电器有限公司		
检验类别	委托送样检验	样品来源	送样
抽样日期	?	样品数量	1套
生产日期/批	?	样品编号	045056
样品到达日期	2004.8.7	样品状态说明	未发现明显的外观缺陷
抽样方案	?		
检验依据	TB/T1333-2002 idt IEC-60077-1999 《铁路应用 机车车辆电气设备》		
检验项目	1.振动试验、2.冲击试验。		
检验主要仪器设备	电动振动台、冲击试验台等。		
检验地点	电器设备试验室	检验日期	2004.8.8
检验结论	对样品，依据《铁路应用 机车车辆电气设备》标准，所检项目符合《铁路应用 机车车辆电气设备》的要求。 		
备注			

编制: 王希言 审核: 李华

批准: 王同洲

振动冲击测试

Vibration and impact test according to IEC-60077-1999



国家采煤机械质量监督检验中心

检验报告

NO.0302848		共 2 页 第 1 页	
产品名称	塑料电缆防水接头	型号规格	M12-M63/PG7-PG48
委托单位	上海文依电器有限公司	检验类别	委托检验
生产单位	上海文依电器有限公司	样品等级	合格品
样品数量	1批	抽样地点	?
抽样基数		送/抽样日期	2003年11月12日
送/抽样人员	宋良	到样日期	?
检验日期	2003年11月13日	出厂编号	?
检验依据	GB4942.2-93 《低压电器外壳防护等级》		
检验项目	防护试验(IP68)		
检 验 结 论	依据 GB4942.2-93 《低压电器外壳防护等级》,该样品所检项目合格。 (检验报告专用章) 签发日期: 2003年11月13日		
备 注			

批准: 刘晨山 审核: 王文治 主检:

IP防护等级的测试

IP degree test according to IEC60529

HSK 尼龙电缆防水接头 Plastic Cable Gland

- 材料: 尼龙 密封件材料:改性橡胶
- 颜色: 灰白色(RAL7035),黑色(RAL9005)
- 温度: -40°C~100°C,短时达到120°C
- 防护等级: 在规定的卡口范围内,并使用合适的O形密封圈,防护等级可以达到IP68
- 阻燃等级: V2(UL94),不含卤素、磷、镉,通过RoHS测试,耐UV,通过抗老化测试

- Material: Polyamide, Sealing: modified rubber
- Color: Grey white (RAL 7035), black (RAL9005)
- Temperature range: Min-40°C, max 100°C, short-term 120°C
- IP degree: Using suitable O-ring within the clamping range, its IP degree can reach IP68
- Properties: V2(UL94), free of halogen, phosphor and cadmium, passed RoHS UV-resistance, anti-aging



HSK-M 公制螺纹 Metric Thread

规格型号 Article No.	螺纹规格 Thread Dimension	卡口范围 Clamping Range mm	螺纹外径 AG mm	螺纹长度 GL mm	(H) mm	扳手尺寸 Wrench Size mm	包装单位 Packet	选型说明 Selection Explanation
HSK-M12 #	M12×1.5	3~6.5	12	8	20	15	100	HSK-M16#-OR 规格型号-OR 表示配O型密封圈
HSK-M16 #	M16×1.5	4~8	16	8	22	19	100	
HSK-M16 #	M16×1.5	4~8	16	8	22	19	100	HSK-M16#-FR 规格型号-FR 表示配扁平密封圈
HSK-M16 #	M16×1.5	5~10	16	8	25	22	100	
HSK-M18 #	M18×1.5	5~10	18	8	25	22	100	HSK-M16#-X 规格型号-X 表示配O型密封圈和T型密封体
HSK-M20 #	M20×1.5	5~9	20	9	26.5	24	100	
HSK-M20 #	M20×1.5	6~12	20	9	26.5	24	100	HSK-M16#-X-FR 规格型号-X-FR 表示配扁平密封圈和T型密封体
HSK-M20 #	M20×1.5	8~14	20	10	28	27	50	
HSK-M22 #	M22×1.5	7~12	22	10	28	27	50	HSK-M16#-P 规格型号-P 表示配O型密封圈和尼龙螺母
HSK-M22 #	M22×1.5	8~14	22	10	28	27	50	
HSK-M24 #	M24×1.5	7~12	24	10	28	27	50	HSK-M16#-P-FR 规格型号-P-FR 表示配扁平密封圈和尼龙螺母
HSK-M24 #	M24×1.5	8~14	24	10	28	27	50	
HSK-M25 #	M25×1.5	11~16	25	11	31.5	33	50	HSK-M16#-XP 规格型号-XP 表示配O型密封圈、尼龙螺母和T型密封体
HSK-M25 #	M25×1.5	13~18	25	11	31.5	33	50	
HSK-M27 #	M27×2.0	11~16	27	11	31.5	33	50	HSK-M16#-XP-FR 规格型号-XP-FR 表示配扁平密封圈、尼龙螺母和T型密封体
HSK-M27 #	M27×2.0	13~18	27	11	31.5	33	50	
HSK-M30 #	M30×2.0	11~16	30	11	31.5	33	50	HSK-M16#-XP-FR 规格型号-XP-FR 表示配扁平密封圈、尼龙螺母和T型密封体
HSK-M30 #	M30×2.0	13~18	30	11	31.5	33	50	
HSK-M30 #	M30×2.0	16~22	30	11	37	37	25	HSK-M16#-XP-FR 规格型号-XP-FR 表示配扁平密封圈、尼龙螺母和T型密封体
HSK-M32 #	M32×1.5	14~21	32	11	39	42	25	
HSK-M32 #	M32×1.5	18~25	32	11	39	42	25	HSK-M16#-XP-FR 规格型号-XP-FR 表示配扁平密封圈、尼龙螺母和T型密封体
HSK-M33 #	M33×2.0	18~25	33	11	39	42	25	
HSK-M36 #	M36×2.0	14~21	36	11	39	42	25	HSK-M16#-XP-FR 规格型号-XP-FR 表示配扁平密封圈、尼龙螺母和T型密封体
HSK-M36 #	M36×2.0	18~25	36	11	39	42	25	
HSK-M40 #	M40×1.5	22~32	40	13	48.5	53	10	HSK-M16#-XP-FR 规格型号-XP-FR 表示配扁平密封圈、尼龙螺母和T型密封体
HSK-M42 #	M42×2.0	22~32	42	13	46.5	53	10	
HSK-M48 #	M48×2.0	22~32	48	13	48.5	53	10	HSK-M16#-XP-FR 规格型号-XP-FR 表示配扁平密封圈、尼龙螺母和T型密封体
HSK-M50 #	M50×1.5	30~38	50	15	47.3	60	10	
HSK-M50 #	M50×1.5	31~41	50	20	50	64	10	HSK-M16#-XP-FR 规格型号-XP-FR 表示配扁平密封圈、尼龙螺母和T型密封体
HSK-M56 #	M56×2.0	30~38	56	15	47.3	60	10	
HSK-M60 #	M60×2.0	37~44	60	15	47	68	5	HSK-M16#-XP-FR 规格型号-XP-FR 表示配扁平密封圈、尼龙螺母和T型密封体
HSK-M63 #	M63×1.5	37~44	63	15	47	68	5	
HSK-M64 #	M64×2.0	37~44	64	15	47	68	5	HSK-M16#-XP-FR 规格型号-XP-FR 表示配扁平密封圈、尼龙螺母和T型密封体
HSK-M72 #	M72×2.0	41~53	72	16	54	80	5	
HSK-M72 #	M72×2.0	51~57	72	16	54	80	5	HSK-M16#-XP-FR 规格型号-XP-FR 表示配扁平密封圈、尼龙螺母和T型密封体
HSK-M75 #	M75×2.0	41~53	75	16	54	80	5	
HSK-M75 #	M75×2.0	51~57	75	16	54	80	5	

★ 订货编号: #=B(黑色), G(灰白色) Order number: #=B(Black), G(Grey white)

HSK 尼龙电缆防水接头 Plastic Cable Gland

- 材料: 尼龙 密封件材料: 改性橡胶
- 颜色: 灰白色(RAL7035), 黑色(RAL9005)
- 温度: -40°C~100°C, 短时达到120°C
- 防护等级: 在规定的卡口范围内, 并使用合适的O形密封圈, 防护等级可以达到IP68
- 阻燃等级: V2(UL94), 不含卤素、磷、镉, 通过RoHS测试, 耐UV, 通过抗老化测试

- Material: Polyamide, Sealing: modified rubber
- Color: Grey white (RAL 7035), black (RAL9005)
- Temperature range: Min-40°C, max100°C, short-term120°C
- IP degree: Using suitable O-ring within the clamping range, its IP degree can reach IP68
- Properties: V2(UL94), free of halogen, phosphor and cadmium, passed RoHS UV-resistance, anti-aging



HSK-M-L 加长型公制螺纹 Lengthened Metric Thread

规格型号 Article No.	螺纹规格 Thread Dimension	卡口范围 Clamping Range mm	螺纹外径 AG mm	螺纹长度 GL mm	(H) mm	扳手尺寸 Wrench Size mm	包装单位 Packet	选型说明 Selection Explanation
HSK-M12 #-L	M12×1.5	3~6.5	12	15	20	15	100	HSK-M12#-L-OR 规格型号-L-OR 表示配O型密封圈
HSK-M16 #-HL	M16×1.5	2.5~6	16	15	22	19	100	
HSK-M16 #-L	M16×1.5	4~8	16	15	22	19	100	HSK-N 3/8#-H 此型号已配O型密封圈 N制螺纹规格型号标配O型密封圈
HSK-M16 #-DL	M16×1.5	5~10	16	15	25	22	100	
HSK-M18 #-L	M18×1.5	5~10	18	15	25	22	100	HSK-M12#-L-FR 规格型号-L-FR 表示配扁平密封圈
HSK-M20 #-HL	M20×1.5	5~9	20	15	26.5	24	100	
HSK-M20 #-L	M20×1.5	6~12	20	15	26.5	24	100	HSK-M12#-L-X 规格型号-L-X 表示配O型密封圈和T型密封体
HSK-M20 #-DL	M20×1.5	8~14	20	15.5	28	27	50	
HSK-M22 #-HL	M22×1.5	7~12	22	15	28	27	50	HSK-M12#-L-X-FR 规格型号-L-X-FR 表示配扁平密封圈和T型密封体
HSK-M22 #-L	M22×1.5	8~14	22	15	28	27	50	
HSK-M24 #-HL	M24×1.5	7~12	24	15	28	27	50	HSK-M12#-L-P 规格型号-L-P 表示配O型密封圈和尼龙螺母
HSK-M24 #-L	M24×1.5	8~14	24	15	28	27	50	
HSK-M25 #-HL	M25×1.5	11~16	25	15	31.5	33	50	HSK-M12#-L-XP 规格型号-L-XP 表示配O型密封圈、尼龙螺母和T型密封体
HSK-M25 #-L	M25×1.5	13~18	25	15	31.5	33	50	
HSK-M32 #-HL	M32×1.5	14~21	32	15	39	42	25	HSK-M12#-L-XP-FR 规格型号-L-XP-FR 表示配扁平密封圈、尼龙螺母和T型密封体
HSK-M32 #-L	M32×1.5	18~25	32	15	39	42	25	
HSK-M40 #-HL	M40×1.5	20~30	40	22	48.5	53	10	HSK-M12#-L-XP-FR 规格型号-L-XP-FR 表示配扁平密封圈、尼龙螺母和T型密封体
HSK-M40 #-L	M40×1.5	22~32	40	22	48.5	53	10	

HSK-N 60°NPT 制锥形螺纹 NPT Thread HSK-G 55° 管螺纹 G thread

规格型号 Article No.	螺纹规格 Thread Dimension	卡口范围 Clamping Range mm	螺纹外径 AG mm	螺纹长度 GL mm	(H) mm	扳手尺寸 Wrench Size mm	包装单位 Packet	选型说明 Selection Explanation
HSK-N 3/8 #-H	NPT3/8"	4~8	16.65	11	25	22	100	HSK-M12#-L-P 规格型号-L-P 表示配O型密封圈和尼龙螺母
HSK-N 3/8 #	NPT3/8"	5~10	16.65	11	25	22	100	
HSK-N 1/2 #-H	NPT1/2"	5~9	20.85	13	26.5	24	100	HSK-M12#-L-P-FR 规格型号-L-P-FR 表示配扁平密封圈和尼龙螺母
HSK-N 1/2 #	NPT1/2"	6~12	20.85	13	26.5	24	100	
HSK-N 3/4 #-H	NPT3/4"	11~16	26.3	13	31.5	33	50	HSK-M12#-L-XP 规格型号-L-XP 表示配O型密封圈、尼龙螺母和T型密封体
HSK-N 3/4 #	NPT3/4"	13~18	26.3	13	31.5	33	50	
HSK-N 1 #-H	NPT1"	14~21	33.15	16	39	42	25	HSK-M12#-L-XP-FR 规格型号-L-XP-FR 表示配扁平密封圈、尼龙螺母和T型密封体
HSK-N 1 #	NPT1"	18~25	33.15	16	39	42	25	
HSK-N 1 1/2#	NPT1 1/2"	22~32	47.5	18	48.5	53	10	HSK-M12#-L-XP-FR 规格型号-L-XP-FR 表示配扁平密封圈、尼龙螺母和T型密封体
HSK-G 1/4 #	G 1/4"	3~6.5	13.15	8	20	15	100	
HSK-G 3/8 #	G 3/8"	4~8	16.66	8	22	19	100	HSK-M12#-L-XP-FR 规格型号-L-XP-FR 表示配扁平密封圈、尼龙螺母和T型密封体
HSK-G 1/2 #-H	G 1/2"	5~9	20.99	9	26.5	24	100	
HSK-G 1/2 #	G 1/2"	6~12	20.99	9	26.5	24	100	HSK-M12#-L-XP-FR 规格型号-L-XP-FR 表示配扁平密封圈、尼龙螺母和T型密封体
HSK-G 3/4 #	G 3/4"	13~18	26.44	11	31.5	33	50	
HSK-G 1 #	G 1"	18~25	33.24	11	39	42	25	HSK-M12#-L-XP-FR 规格型号-L-XP-FR 表示配扁平密封圈、尼龙螺母和T型密封体
HSK-G 1 1/4 #	G 1 1/4"	22~32	41.91	13	48.5	53	10	
HSK-G 1 1/2 #	G 1 1/2"	22~32	47.8	13	48.5	53	10	HSK-M12#-L-XP-FR 规格型号-L-XP-FR 表示配扁平密封圈、尼龙螺母和T型密封体
HSK-G 2 #	G 2"	37~44	59.61	15	47	65	5	

★ 订货编号: #=B(黑色), G(灰白色) Order number: #=B(Black), G(Grey white)

HSK 尼龙电缆防水接头 Plastic Cable Gland

- 材料: 尼龙 密封件材料:改性橡胶
- 颜色: 灰白色(RAL7035),黑色(RAL9005)
- 防护等级: 在规定的卡口范围内,并使用合适的O形密封圈,防护等级可以达到IP68
- 温度: -40°C~100°C,短时达到120°C
- 阻燃等级: V2(UL94),不含卤素、磷、镉,通过RoHS测试,耐UV,通过抗老化测试

- Material: Polyamide, Sealing: modified rubber
- Color: Grey white (RAL 7035), black (RAL9005)
- IP degree: Using suitable O-ring within the clamping range, its IP degree can reach IP68
- Temperature range: Min-40°C, max 100°C, short-term 120°C
- Properties: V2(UL94), free of halogen, phosphor and cadmium, passed RoHS, UV-resistance, anti-aging



HSK-P/HSK-P-L 加长型 PG 螺纹 PG Thread/ Lengthened

规格型号 Article No.	螺纹规格 Thread Dimension	卡口范围 Clamping Range mm	螺纹外径 AG mm	螺纹长度 GL mm	(H) mm	扳手尺寸 Wrench Size mm	包装单位 Packet	选型说明 Selection Explanation
HSK-P07 #	PG7	3~6.5	12.5	8	20	15	100	HSK-P07#-OR 规格型号-OR 表示配O型密封圈
HSK-P09 #-H	PG9	2.5~6	15.2	8	22	19	100	HSK-P07#-FR 规格型号-FR 表示配扁平密封圈
HSK-P09 #	PG9	4~8	15.2	8	22	19	100	
HSK-P11 #	PG11	5~10	18.6	8	25	22	100	HSK-P07#-X 规格型号-X 表示配O型密封圈和T型密封体
HSK-P13.5 #-H	PG13.5	5~9	20.4	9	26.5	24	100	
HSK-P13.5 #	PG13.5	6~12	20.4	9	26.5	24	100	HSK-P07#-X-FR 规格型号-X-FR 表示配扁平密封圈和T型密封体
HSK-P16 #-H	PG16	7~12	22.5	10	28	27	50	
HSK-P16 #	PG16	8~14	22.5	10	28	27	50	HSK-P07#-P 规格型号-P 表示配O型密封圈和尼龙螺母
HSK-P21 #-H	PG21	11~16	28.3	11	31.5	33	50	
HSK-P21 #	PG21	13~18	28.3	11	31.5	33	50	HSK-P07#-P-FR 规格型号-P-FR 表示配扁平密封圈和尼龙螺母
HSK-P29 #-H	PG29	14~21	37	11	39	42	25	
HSK-P29 #	PG29	18~25	37	11	39	42	25	HSK-P07#-XP 规格型号-XP 表示配O型密封圈、尼龙螺母和T型密封体
HSK-P36 #	PG36	22~32	47	13	48.5	53	10	
HSK-P42 #	PG42	30~38	54	15	47.3	60	10	HSK-P07#-XP-FR 规格型号-XP-FR 表示配扁平密封圈、尼龙螺母和T型密封体
HSK-P48 #	PG48	37~44	59.3	15	47	68	5	
HSK-P07 #-L	PG7	3~6.5	12.5	15	20	15	100	HSK-P07#-XP-FR 规格型号-XP-FR 表示配扁平密封圈、尼龙螺母和T型密封体
HSK-P09 #-HL	PG9	2.5~6	15.2	15	22	19	100	
HSK-P09 #-L	PG9	4~8	15.2	15	22	19	100	HSK-P07#-XP-FR 规格型号-XP-FR 表示配扁平密封圈、尼龙螺母和T型密封体
HSK-P11 #-L	PG11	5~10	18.6	15	25	22	100	
HSK-P13.5 #-HL	PG13.5	5~9	20.4	15	26.5	24	100	HSK-P07#-XP-FR 规格型号-XP-FR 表示配扁平密封圈、尼龙螺母和T型密封体
HSK-P13.5 #-L	PG13.5	6~12	20.4	15	26.5	24	100	
HSK-P16 #-HL	PG16	6~12	22.5	15	28	27	50	HSK-P07#-XP-FR 规格型号-XP-FR 表示配扁平密封圈、尼龙螺母和T型密封体
HSK-P16 #-L	PG16	8~14	22.5	15	28	27	50	
HSK-P21 #-HL	PG21	11~16	28.3	15	31.5	33	50	HSK-P07#-XP-FR 规格型号-XP-FR 表示配扁平密封圈、尼龙螺母和T型密封体
HSK-P21 #-L	PG21	13~18	28.3	15	31.5	33	50	
HSK-P29 #-HL	PG29	14~21	37	15	39	42	25	HSK-P07#-XP-FR 规格型号-XP-FR 表示配扁平密封圈、尼龙螺母和T型密封体
HSK-P29 #-L	PG29	18~25	37	15	39	42	25	

★ 订货编号: #=B(黑色), G(灰白色) Order number: #=B(Black), G(Grey white)

HSK/nxd—多芯尼龙电缆防水接头

HSK/nxd—Plastic Cable Gland With Multi-Core

- 材料: 外部尼龙;密封件材料为硅橡胶
- 颜色: 灰白色(RAL7035),黑色(RAL9005)
- 温度: -40°C~100°C,短时达到120°C
- 防护等级: 使用合适的O形密封圈可达IP65(在线径=孔径的情况下可达到IP68)
- 阻燃等级: V2(UL94),不含卤素、磷、铜,通过RoHS测试,耐UV,通过抗老化测试

- Material: Polyamide,Sealing:modified rubber
- Color: Grey white (RAL 7035), black (RAL9005)
- Temperature range: Min-40°C,max100°C,short-term120°C
- IP degree: Using suitable O-ring within the clamping range it can reach IP65 (When the diameter of cables equals to that of holes, it can reach IP68)
- Properties: V2(UL94), free of halogen, phosphor and cadmium, passed RoHS UV-resistance, anti-aging



HSK-M/nxd 公制螺纹 Metric Thread

规格型号 Article No.	螺纹规格 Thread Dimension	卡口(nxd) clamping mm	螺纹外径 AG mm	螺纹长度 GL mm	(H) mm	扳手尺寸 Wrench Size mm	包装单位 Packet	选型说明 Selection Explanation
HSK-M16 #/2×3	M16×1.5	2×3	16	8	22	19	100	HSK-M16#/2×3-OR 规格型号-OR 表示配O型密封圈
HSK-M18 #/2×4.5	M18×1.5	2×4.5	18	8	25	22	100	
HSK-M18 #/2×4	M18×1.5	2×4	18	8	25	22	100	
HSK-M18 #/3×3.3	M18×1.5	3×3.3	18	8	25	22	100	HSK-M16#/2×3-FR 规格型号-FR 表示配扁平密封圈
HSK-M20 #/2×5	M20×1.5	2×5	20	9	26.5	24	100	
HSK-M20 #/6×2	M20×1.5	6×2	20	9	26.5	24	100	HSK-M16#/2×3-X 规格型号-X 表示配O型密封圈和T型密封体
HSK-M20 #/3×4	M20×1.5	3×4	20	9	26.5	24	100	
HSK-M20 #/6×3	M20×1.5	6×3	20	9	26.5	24	100	
HSK-M24 #/2×6	M24×1.5	2×6	24	10	28	27	50	HSK-M16#/2×3-X-FR 规格型号-X-FR 表示配扁平密封圈和T型密封体
HSK-M24 #/3×5.6	M24×1.5	3×5.6	24	10	28	27	50	
HSK-M24 #/3×4	M24×1.5	3×4	24	10	28	27	50	HSK-M16#/2×3-P 规格型号-P 表示配O型密封圈和尼龙螺母
HSK-M24 #/4×4	M24×1.5	4×4	24	10	28	27	50	
HSK-M24 #/5×4	M24×1.5	5×4	24	10	28	27	50	
HSK-M24 #/6×4	M24×1.5	6×4	24	10	28	27	50	HSK-M16#/2×3-P-FR 规格型号-P-FR 表示配扁平密封圈和尼龙螺母
HSK-M25 #/2×8	M25×1.5	2×8	25	11	31.5	33	50	
HSK-M25 #/3×7	M25×1.5	3×7	25	11	31.5	33	50	
HSK-M25 #/4×6	M25×1.5	4×6	25	11	31.5	33	50	HSK-M16#/2×3-XP 规格型号-XP 表示配O型密封圈、尼龙螺母和T型密封体
HSK-M32 #/4×9	M32×1.5	4×9	32	11	39	42	25	
HSK-M32 #/6×6.5	M32×1.5	6×6.5	32	11	39	42	25	
HSK-M40 #/2×15	M40×1.5	2×15	40	13	48.5	53	10	HSK-M16#/2×3-XP-FR 规格型号-XP-FR 表示配扁平密封圈、尼龙螺母和T型密封体
HSK-M40 #/5×9	M40×1.5	5×9	40	13	48.5	53	10	
HSK-M40 #/6×8	M40×1.5	6×8	40	13	48.5	53	10	
HSK-M40 #/7×9	M40×1.5	7×9	40	13	48.5	53	10	HSK-M16#/2×3-XP-FR 规格型号-XP-FR 表示配扁平密封圈、尼龙螺母和T型密封体
HSK-M63 #/3×18	M63×1.5	3×18	63	15	47	68	5	
HSK-M63 #/6×12	M63×1.5	6×12	63	15	47	68	5	
HSK-M72 #/2×26	M72×2.0	2×26	72	16	54	80	5	HSK-M16#/2×3-XP-FR 规格型号-XP-FR 表示配扁平密封圈、尼龙螺母和T型密封体
HSK-M75 #/2×26	M75×2.0	2×26	75	16	54	80	5	

★ 订货编号: #=B(黑色), G(灰白色) Order number: #=B(Black), G(Grey white)

HSK/nxd—多芯尼龙电缆防水接头 HSK/nxd—Plastic Cable Gland With Multi-Core

- 材料: 外部尼龙 密封件材料:为硅橡胶
- 颜色: 灰白色(RAL7035),黑色(RAL9005)
- 温度: -40°C~100°C,短时达到120°C
- 防护等级: 使用合适的O形密封圈可达IP65(在线径=孔径的情况下可达到IP68)
- 阻燃等级: V2(UL94),不含卤素、磷、镉,通过RoHS测试,耐UV,通过抗老化测试

- Material: Polyamide;sealing:modified rubber
- Color: Grey white (RAL 7035), Black (RAL9005)
- Temperature range: Min-40°C,max100°C,short-term 20°C
- IP degree: Using suitable O-ring within the clamping range it can reach IP65 (When the diameter of cables equals to that of holes, it can reach IP68)
- Properties: V2(UL94), free of halogen, phosphor and cadmium, passed RoHS UV-resistance, anti-aging



HSK-P/nxd—PG 螺纹 PG Thread

规格型号 Article No.	螺纹规格 Thread Dimension	卡口(nxd) Clamping mm	螺纹外径 AG mm	螺纹长度 GL mm	(H) mm	扳手尺寸 Wrench Size mm	包装单位 Packet	选型说明 Selection Explanation
HSK-P09 #/2×3	PG9	2×3	15.2	8	22	19	100	HSK-P09#/2×3-OR 规格型号-OR 表示配O型密封圈
HSK-P11 #/6×3.5	PG11	6×3.5	18.6	8	25	22	100	
HSK-P11 #/3×3.3	PG11	3×3.3	18.6	8	25	22	100	HSK-P09#/2×3-FR 规格型号-FR 表示配扁平密封圈
HSK-P11 #/2×4	PG11	2×4	18.6	8	25	22	100	
HSK-P13.5 #/2×5	PG13.5	2×5	20.4	9	26.5	24	100	HSK-P09#/2×3-X 规格型号-X 表示配O型密封圈和T型密封体
HSK-P13.5 #/6×2	PG13.5	6×2	20.4	9	26.5	24	100	
HSK-P13.5 #/6×3	PG13.5	6×3	20.4	9	26.5	24	100	
HSK-P16 #/2×6	PG16	2×6	22.5	10	28	27	50	HSK-P09#/2×3-X-FR 规格型号-X-FR 表示配扁平密封圈和T型密封体
HSK-P16 #/3×3	PG16	3×3	22.5	10	28	27	50	
HSK-P16 #/3×4	PG16	3×4	22.5	10	28	27	50	HSK-P09#/2×3-P 规格型号-P 表示配O型密封圈和尼龙螺母
HSK-P16 #/3×5.5	PG16	3×5.5	22.5	10	28	27	50	
HSK-P16 #/4×4	PG16	4×4	22.5	10	28	27	50	HSK-P09#/2×3-P-FR 规格型号-P-FR 表示配扁平密封圈和尼龙螺母
HSK-P16 #/5×4	PG16	5×4	22.5	10	28	27	50	
HSK-P16 #/6×4	PG16	6×4	22.5	10	28	27	50	HSK-P09#/2×3-XP 规格型号-XP 表示配O型密封圈、尼龙螺母和T型密封体
HSK-P21 #/2×8	PG21	2×8	28.3	11	31.5	33	50	
HSK-P21 #/3×7	PG21	3×7	28.3	11	31.5	33	50	HSK-P09#/2×3-XP-FR 规格型号-XP-FR 表示配扁平密封圈、尼龙螺母和T型密封体
HSK-P21 #/4×6	PG21	4×6	28.3	11	31.5	33	50	
HSK-P29 #/4×9	PG29	4×9	37	11	39	42	25	HSK-P09#/2×3-XP-FR 规格型号-XP-FR 表示配扁平密封圈、尼龙螺母和T型密封体
HSK-P29 #/6×6.5	PG29	6×6.5	37	11	39	42	25	
HSK-P36 #/2×15	PG36	2×15	47	13	48.5	53	10	HSK-P09#/2×3-XP-FR 规格型号-XP-FR 表示配扁平密封圈、尼龙螺母和T型密封体
HSK-P36 #/5×9	PG36	5×9	47	13	48.5	53	10	
HSK-P36 #/7×9	PG36	7×9	47	13	48.5	53	10	HSK-P09#/2×3-XP-FR 规格型号-XP-FR 表示配扁平密封圈、尼龙螺母和T型密封体
HSK-P48 #/3×18	PG48	3×18	59.3	15	47	65	5	
HSK-P48 #/6×12	PG48	6×12	59.3	15	47	65	5	HSK-P09#/2×3-XP-FR 规格型号-XP-FR 表示配扁平密封圈、尼龙螺母和T型密封体
HSK-P48 #/8×10	PG48	8×10	59.3	15	47	65	5	

★ 订货编号: #=B(黑色), G(灰白色) Order number: #=B(Black), G(Grey white)

HSK-F 防折断尼龙电缆防水接头 HSK-F Break-proof Nylon Cable Gland

- 材料: 尼龙 密封件材料:改性橡胶
- 颜色: 灰白色(RAL7035),黑色(RAL9005)
- 温度: -40°C~100°C,短时达到120°C
- 防护等级: 在规定的卡口范围内,并使用合适的O形密封圈,防护等级可以达到IP68
- 阻燃等级: V2(UL94),不含卤素、磷、镉,通过RoHS测试

- Material: Body: Polyamide, Sealing: modified rubber
- Color: Grey white (RAL 7035), black (RAL9005)
- Temperature range: Min -40°C, max 100°C, short-term 120°C
- IP degree: Using suitable O-ring within the clamping range, its IP degree can reach IP68
- Properties: V2(UL94), free of halogen, phosphor and cadmium, passed RoHS



HSK-F-P 德国 PG 螺纹 German PG Thread

规格型号 Article No.	螺纹规格 Thread Dimension	卡口范围 Clamping Range	螺纹外径 AG	螺纹长度 GL Length	(H) mm	扳手尺寸 Wrench Size	包装单位 Packet
HSK-F-P07 #	PG7	3~6.5	12.5	8	55	15	50
HSK-F-P09 #	PG9	4~8	15.2	8	64.5	19	50
HSK-F-P11 #	PG11	5~10	18.6	8	73.5	22	50
HSK-F-P13.5 #	PG13.5	6~12	20.4	9	83	24	50
HSK-F-P16 #	PG16	8~14	22.5	10	92	27	25
HSK-F-P21 #	PG21	13~18	28.3	11	102	33	25

HSK-F-M 公制螺纹 Metric Thread

规格型号 Article No.	螺纹规格 Thread Dimension	卡口范围 Clamping Range	螺纹外径 AG	螺纹长度 GL Length	(H) mm	扳手尺寸 Wrench Size	包装单位 Packet
HSK-F-M12 #	M12×1.5	3~6.5	12	8	55	15	50
HSK-F-M16 #	M16×1.5	4~8	16	8	64.5	19	50
HSK-F-M20 #	M20×1.5	6~12	20	9	83	24	50
HSK-F-M20 #-D	M20×1.5	8~14	22.5	10	92	27	25
HSK-F-M25 #	M25×1.5	13~18	25	11	102	33	25

HSK-F-N NPT 螺纹 NPT Thread

规格型号 Article No.	螺纹规格 Thread Dimension	卡口范围 Clamping Range	螺纹外径 AG	螺纹长度 GL Length	(H) mm	扳手尺寸 Wrench Size	包装单位 Packet
HSK-F-NPT1/2 #	NPT1/2	6~12	20.85	13	83	24	50
HSK-F-NPT3/4 #	NPT3/4	13~18	26.3	13	102	33	25

★ 订货编号: #=B(黑色), G(灰白色) Order number: #=B(Black), G(Grey white)

选型说明 Selection Explanation

HSK-F-P07#-OR 规格型号-OR 表示配O型密封圈	HSK-F-P07#-FR 规格型号-FR 表示配扁平密封圈	HSK-F-P07#-X 规格型号-X 表示配O型密封圈和T型密封体	HSK-F-P07#-P 规格型号-P 表示配O型密封圈和尼龙螺母	HSK-F-P07#-XP 规格型号-XP 表示配O型密封圈、尼龙螺母和T型密封体
HSK-F-P07#-X-FR 规格型号-X-FR 表示配扁平密封圈和T型密封体	HSK-F-P07#-P-FR 规格型号-P-FR 表示配扁平密封圈和尼龙螺母	HSK-F-P07#-XP-FR 规格型号-XP-FR 表示配扁平密封圈、尼龙螺母和T型密封体	HSK-F-NPT1/2# 此型号已配O型密封圈 N制螺纹规格型号标配O型密封圈	

HSK-V 尼龙电缆防水透气接头 Polyamide Ventilation Cable Gland

- 材料: 尼龙 密封件材料:改性橡胶 透气膜材料:膨体聚四氟乙烯
- 颜色: 灰白色(RAL7035),黑色(RAL9005)
- 防护等级: 在规定的卡口范围内,并使用合适的O形密封圈,防护等级可以达到IP65、IP66、IP67、IP68
- 温度: -40°C~100°C,短时达到120°C
- 阻燃等级: V2(UL94),不含卤素、磷、镉,通过RoHS测试,耐UV,通过抗老化测试
- Material: Nylon Seal material: Modified rubber Breathable membrane material: ePTFE
- Color: Grey white (RAL7035), black (RAL9005)
- IP degree: within the specified clamping range, and using a suitable O-ring, the protection level can reach IP65, IP66, IP67, IP68
- Temperature: -40°C~100°C, Short term: 120°C
- Flame retardant grade: V2(UL94), free of halogen, phosphorus, cadmium, passed RoHS test, UV resistance, anti-aging



HSK-V-M M制 螺纹 M Thread/Lengthened

规格型号 Article No.	螺纹规格 Thread Dimension	卡口范围 Clamping Range mm	透气量 air flow L/min @7Kpa	螺纹长度 GL mm	(H) mm	扳手尺寸 Wrench Size mm	包装单位 Packet
HSK-V-M16 #	M16	4~8	0.5	8	24	19	100
HSK-V-M20 #	M20	6~12	0.7	9	29	24	100

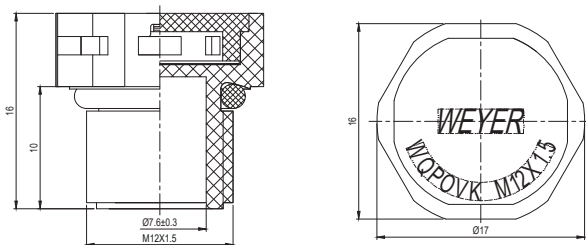
★ 订货编号: #=B(黑色)、G(灰白色) Order number: #=B(Black), G(Grey white)

WQPOVK 螺纹型防水透气阀 Waterproof Air Vent Plug With Thread

- 外部材料: 尼龙
- 防水透气膜材料: e-PTFE
- 颜色: 米白色(RAL7035) 黑色(RAL9005) 交通白(RAL9016)
- 温度: -40°C~115°C
- 防护等级: IP67
- 标准透气量: >2000ml/min@70mbar
- 材料抗水压力: >0.2bar/min
- 阻燃等级: V0(UL94), 不含卤素、磷、镉, 通过RoHS测试



- Body: Polyamide
- Breathable membrane: e-PTFE
- Color: Off-white (RAL 7035) black (RAL 9005) Traffic white (RAL 9016)
- Temperature range: Min-40°C,max115°C
- IP degree: IP67
- Standard ventilation quantity: >2000ml/min@70mbar
- Water pressure-resistance: >0.2bar/min
- Properties: V0(UL94), free of halogen, phosphorus and cadmium, passed RoHS



规格型号 Article No.	螺纹规格 Thread Dimension	螺纹长度C Thread Length	孔径 Φl mm	长度D Total Length mm	扳手尺寸 SW Wrench Size	包装单位 Packet
WQPOVK-M12 #	M12×1.5	10	7.6	16	16	100

★ 订货编号: #=B(黑色)、OW(米白色)、TW(交通白) Order number: #=B(Black), OW(Off-white), TW(Traffic white)

WQPOVM 金属透气阀 Metal Air Vent Plug

- 防水透气膜材料:e-PTFE
- 温度:-40°C~125°C
- 防护等级:IP68 (1.2米水深, 1小时)
- 不含卤素、磷、镉, 通过RoHS测试

- Membrane material: e-PTFE
- Temperature: -40°C~125°C
- IP Degree: IP68 (1.2 meters of water depth, 1 hour)
- Free of halogen, phosphorus and cadmium, RoHS compliant



规格型号 Article No.	螺纹规格 Thread Dimenion	螺纹长度C Thread Length C	孔径φl Hole Diameter φl	长度 Total Length	扳手尺寸 Wrench Size	包装单位 Packet Unit	金属材质 Material	透气量 Air Flow
WQPOVM-M12	M12X1.5	7	8	14	16	50	黄铜镀镍 Nickel Plated Brass	2000ml/min @70mbar
WQPOVM-M12-YG	M12X1.5	7	8	14	16	100	黄铜镀镍 Nickel Plated Brass	2000ml/min @70mbar

WQPOVMS 金属透气阀 Metal Air Vent Plug

- 防水透气膜材料:e-PTFE
- 温度:-40°C~125°C
- 防护等级:IP68 (1.2米水深, 1小时)
- 不含卤素、磷、镉, 通过RoHS测试

- Membrane material: e-PTFE
- Temperature: -40°C~125°C
- IP Degree: IP68 (1.2 meters of water depth, 1 hour)
- Free of halogen, phosphorus and cadmium, passed RoHS



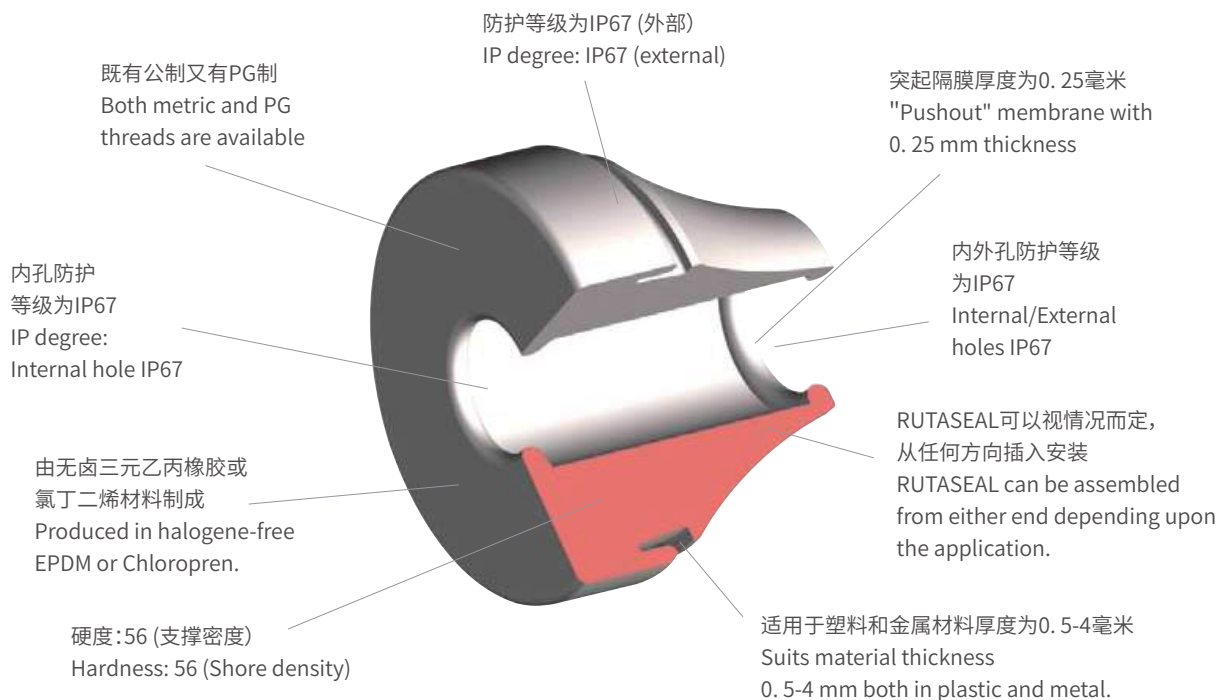
规格型号 Article No.	螺纹规格 Thread Dimenion	螺纹长度C Thread Length C	孔径φl Hole Diameter φl	长度 Total Length	扳手尺寸 Wrench Size	包装单位 Packet Unit	金属材质 Material	透气量 Air Flow
WQPOVMS-M40-316L	M40X1.5	10	35	31.2	60	2	不锈钢SS316L	3600ml/min @70mbar

- ★ 所有规格材质可以提供不锈钢WQPOVM系列
WQPOVM (stainless steel version) are available for all sizes

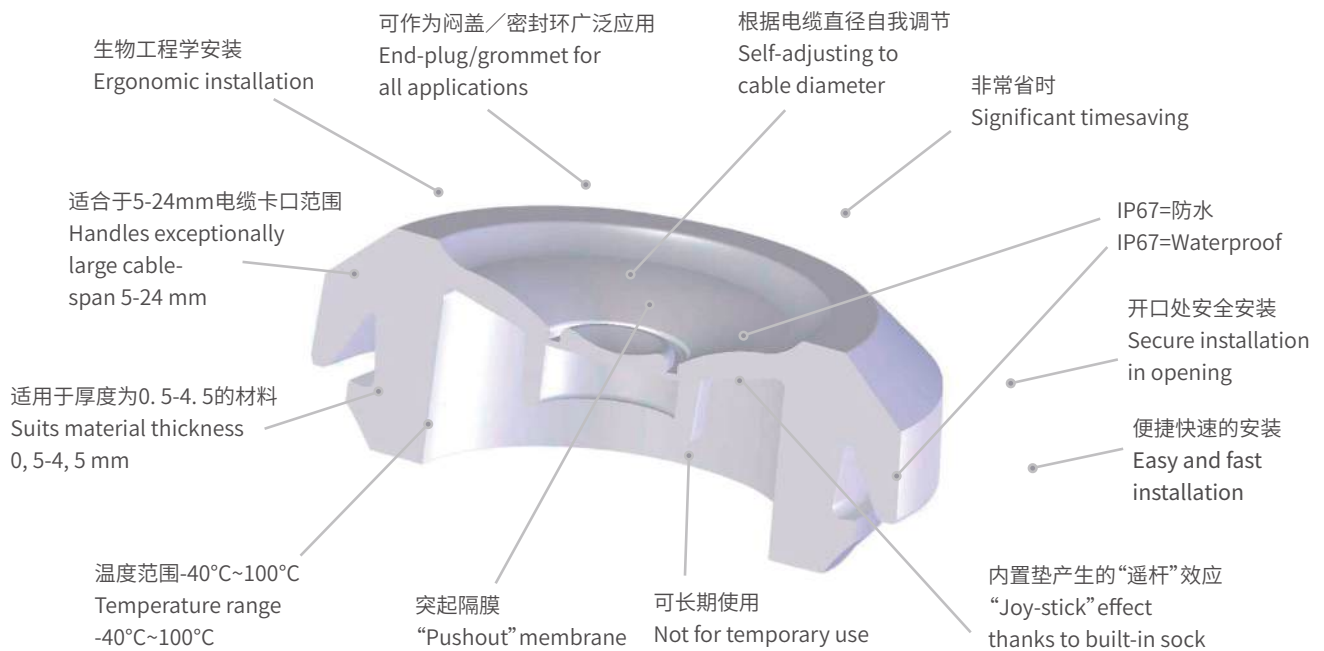
RUBBER GROMMET



产品特性 Product features

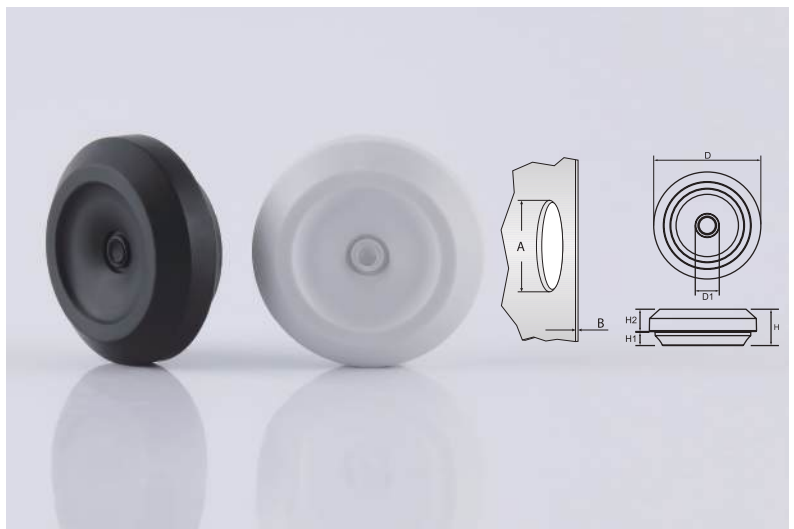


WY-TSS 电缆密封环 Rubber Grommet



- 材料: TPE-热塑弹性体
- 防护等级: IP67
- 温度范围: -40°C~100°C
- 测试标准: IEC 60529, IP67
- 无卤
- 适用于厚度为0.5-4.5毫米的材料上的孔, 无需使用工具即可
- 快速简便的安装, 适用于很大的电缆卡口范围, 可作为闷盖广泛应用

- Material: TPE-Thermoplastic Elastomer
- IP degree: IP67
- Temperature range: -40°C~100°C
- Test standard: EN60529: 1991+A1.
- Halogen-Free
- Suitable for holes on boards/plates with 0.5-4.5mm thickness
- Quick and easy installation, no tools required.



规格型号 Article No.	螺纹规格 Size	卡口范围 For Cable/ Pipe φmm	A mm	B mm	D* mm	D1 mm	H mm	H1 mm	H2 mm	包装单位 Packet
WY-TSS-M16 #	M16	5-10	16.6	0.69-3	23.3	4	10.4	3.7	6.7	50
WY-TSS-M20 #	M20	6-13	20.42	0.57-3	27.8	5.1	11	3.4	7	50
WY-TSS-M25 #	M25	8-17	25.74	0.66-3.5	32.3	7	11	3.5	7.1	50
WY-TSS-M32 #	M32	12-24	32.77	0.68-4.5	39.1	10.8	10.7	3.8	6.8	25

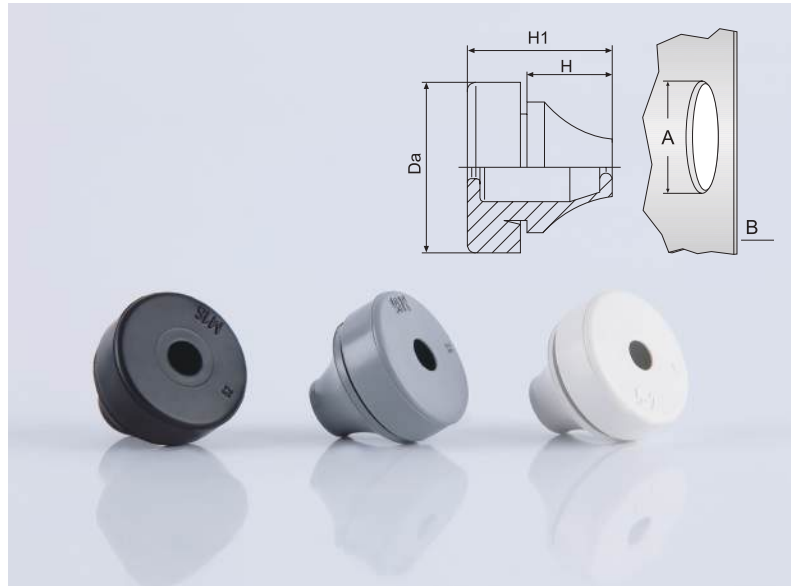
★ 订货编号: #=B(黑色), G(灰白色)

Order number: #=B(Black), G(Grey white)

WRG 电缆密封环 Rubber Grommet

- 材料: 三元乙丙橡胶, 抗化学制品, 耐气候适用于厚度为0.5-4毫米的材料上的孔, 无需使用工具即可快速简便的安装
- 温度范围: -40°C~100°C
- 防护等级: IP67(根据EN60529)

- Material: EPDM
Chemical resistant, weather resistant
Suitable for holes on boards/plates with 0.5-4mm thickness
Quick and easy installation, no tools required.
- Temperature range: -40°C~100°C
- IP degree: IP67 (according to EN60529)



WRG 电缆密封环公制 Rubber Grommet Metric

规格型号 Article No.	螺纹规格 Size	卡口范围 For Cable/ Pipe ϕ mm	A mm	B mm	Da mm	H mm	H1 mm	包装单位 Packet
WRG-M12 #	M12	4-7	12.5	0.5-2.0	20	5.6	12.8	50
WRG-M16 #	M16	5-9	16.5	1-4	21	10.2	17.7	50
WRG-M20 #	M20	8-13	20.5	1-4	25.5	12.8	20	50
WRG-M25 #	M25	11-15	25.5	1-4	30.32	14.8	22	50
WRG-M32 #	M32	15-20	32.5	1-4	38.5	17.4	24.7	25
WRG-M40 #	M40	19-28	40.5	1-4	48.5	21.7	30	25
WRG-M50 #	M50	27-35	50.5	1-4	60.5	25	35.2	10

WRG 电缆密封环PG制 Rubber Grommet Metric PG

规格型号 Article No.	螺纹规格 Size	螺纹外径 Thread AD mm	卡口范围 For Cable/ Pipe ϕ mm	A mm	B mm	Da mm	H mm	H1 mm	包装单位 Packet
WRG-P07 #	PG7	12.5	3-5	13	0.5-2	20	5.4	12.9	50
WRG-P09 #	PG9	15.2	5-7	16	1-4	21	10.1	18	50
WRG-P11 #	PG11	18.6	7-10	19	1-4	24	12.8	20.2	50
WRG-P16 #	PG16	22.5	10-14	23	1-4	28	14.7	21.8	50
WRG-P21 #	PG21	28.3	14-20	29	1-4	35	17.6	26	25
WRG-P29 #	PG29	37	20-26	38	1-4	46	20	28.5	25
WRG-P36 #	PG36	47	26-35	48	1-4	58	23.7	35.2	10

★ 订货编号: #=B(黑色), LG(浅灰色), G(灰白色)

Order number: #=B(Black), LG(Light grey), G(Grey white)

为什么选择电缆密封环代替塑料电缆接头? Why choose a rubber grommet instead of a plastic cable gland?

- 受天气、紫外线和臭氧影响较小—更少发生变干、开裂和变松的情况
- 更强的防酸能力(磷、硝石、盐酸和硫酸)
- 比大多数电缆接头有更大的温度范围
- 只需在一面安装,快速简单—不需要到另一面安装螺母
- 当空间狭小的情况下很理想—突出部分较少,所需空间小
- 更符合生物工程学,对手腕没有负作用,因为不需要把它旋进位置
- 高达IP67的防护等级,优于电缆接头,与电缆接头相比安装更省时省力—从而降低成本
- 直到隔膜被推出开口都是密封的—无需闷盖,节省了成本
- 更经济的解决方法
- 节约更多时间
- Less affected by weather,UV-light and ozone-less inclined to dry up,crack and come lose
- More resistant to acids (Phosphoric, Saltpeter, Hydrochloric&Sulphuric)
- Handles larger temperature span than most glands
- Quick and easy installation from one side only-not necessary to be able to reach opposite side of installation to attach locknut
- Ideal where space is restricted-less protrusion and space needed
- Ergonomically better,no negative effect on wrists since it does not need to be screwed into place
- Superior to cable gland up to IP67, Less work and time needed for installation compared to a cable gland-thus lower cost
- The opening is always sealed until the membrane is pushed out-no need for stop plugs or blind plugs in the mean time,which creates extra costs
- More economic solution
- Save more time

仪器仪表 apparatus



电缆密封环RG的安装方法 How to install RG



将电缆密封环推入孔中
Push the grommet into the hole

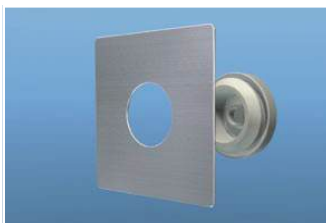


用电缆刺破电缆密封环
Pierce the grommet with the cable

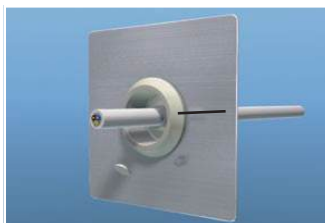


将电缆向后拉一厘米, 电缆密封环就被锁在固定位置
The grommet is the locked in position by pulling it back about a centimetre

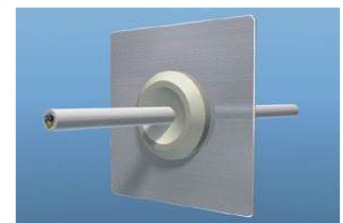
电缆密封环TSS的安装方法 How to install TSS



将电缆密封环推入孔中
Push the grommet into the hole.



用电缆刺破电缆密封环
Pierce the grommet with the cable.



安装完成
installation is complete

HSM 金属电缆防水接头 Metal Cable Gland

- 材料: 外部金属为黄铜镀镍,内部芯套为尼龙 密封件材料为改性橡胶
- 温度: -40°C~100°C,短时达到120°C
- 防护等级: 在规定的卡口范围内,防护等级可以达到IP68
- 性能: 通过IEC-60077-1999抗振动和抗冲击试验,通过RoHS测试

- Material: Body: Nickel-plated Brass, Inner core: Polyamide, Sealing: Modified rubber
- Temperature range: Min-40°C, max 100°C, short-term 120°C
- IP degree: Within the clamping range, its IP degree can reach IP68
- Properties: Succeed in the experiment of IEC-60077-1999 resistance to vibration and impact, passed RoHS



HSM-M 公制螺纹 Metric Thread

规格型号 Article no.	螺纹规格 Thread Dimension	卡口范围 Clamping Range mm	螺纹外径 AG mm	螺纹长度 GL mm	(H) mm	SW1/SW2 Wrench Size mm	包装单位 Packet
HSM-M12	M12×1.5	3~6.5	12	6	19	14/14	75
HSM-M16-H	M16×1.5	3~6.5	16	7	20	14/18	75
HSM-M16	M16×1.5	4~8	16	7	21	17/18	75
HSM-M16-D	M16×1.5	5~10	16	7	22.5	20/20	50
HSM-M18	M18×1.5	5~10	18	7	22.5	20/20	50
HSM-M20-H	M20×1.5	5~10	20	7	22.5	20/22	32
HSM-M20	M20×1.5	6~12	20	7	23.5	22/22	32
HSM-M20-D	M20×1.5	8~14	20	7	23	24/24	32
HSM-M22	M22×1.5	8~14	22	7	23	24/24	32
HSM-M24-H	M24×1.5	6~12	24	7	23.5	22/28	18
HSM-M24	M24×1.5	8~14	24	7	23	24/27	18
HSM-M25-H	M25×1.5	8~14	25	7	23	24/28	18
HSM-M25	M25×1.5	10~16	25	7	24.5	28/28	18
HSM-M25-D	M25×1.5	13~18	25	7	26	30/30	18
HSM-M27-H	M27×2.0	10~16	27	8	25	28/30	18
HSM-M27	M27×2.0	13~18	27	8	26	30/30	18
HSM-M30-H	M30×2.0	10~16	30	8	25	28/34	18
HSM-M30	M30×2.0	13~18	30	8	26	30/34	18
HSM-M32-H	M32×1.5	13~18	32	8	26.5	30/36	18
HSM-M32	M32×1.5	15~22	32	8	28	36/36	18
HSM-M32-D	M32×1.5	18~25	32	8	33	40/38	8
HSM-M33	M33×2.0	18~25	33	8	33	40/38	8
HSM-M36-H	M36×2.0	15~22	36	8	28	36/40	8
HSM-M36	M36×2.0	18~25	36	8	33	40/40	8
HSM-M40-H	M40×1.5	18~25	40	9	33.5	40/45	8
HSM-M40	M40×1.5	22~30	40	9	35.5	45/45	8
HSM-M40-D	M40×1.5	22~32	40	9	38.5	50/50	4
HSM-M42	M42×2.0	22~32	42	9	38.5	50/50	4
HSM-M48	M48×2.0	22~32	48	9	38.5	50/52	4
HSM-M50	M50×1.5	30~38	50	9	40	58/55	4
HSM-M56	M56×2.0	30~38	56	10	40	58/60	4
HSM-M60	M60×2.0	37~44	60	10	41	65/65	2
HSM-M63	M63×1.5	37~44	63	10	41	65/70	2
HSM-M63-D	M63×1.5	42~53	63	10	44.5	75/75	2
HSM-M64	M64×2.0	37~44	64	10	41	65/70	2

★ SW1代表圆螺帽扳手尺寸, SW2代表接头体扳手尺寸 Remarks: SW1 stands for round nut wrench size, SW2 stands for joint wrench size
 所有规格材质可以提供不锈钢HSMS系列和铝合金HSMAL系列
 HSMS (stainless steel version) and HSMAL (aluminum version) are available for all sizes

HSM 金属电缆防水接头 Metal Cable Gland

- 材料: 外部金属为黄铜镀镍,内部芯套为尼龙 密封件材料为改性橡胶
 - 温度: -40°C~100°C,短时达到120°C
 - 防护等级: 在规定的卡口范围内,防护等级可以达到IP68
 - 性能: 通过IEC-60077-1999抗振动和抗冲击试验,通过RoHS测试
- Material: Body: Nickel-plated Brass, Inner core: Polyamide, Sealing: modified rubber
 - Temperature range: Min-40°C,max100°C,short-term120°C
 - IP degree: Within the clamping range, its IP degree can reach IP68
 - Properties: Succeed in the experiment of IEC-60077-1999 resistance to vibration and impact, passed RoHS



HSM-M-L 加长型公制螺纹 Lengthened Metric Thread

规格型号 Article No.	螺纹规格 Thread Dimension	卡口范围 Clamping Range mm	螺纹外径 AG mm	螺纹长度 GL mm	(H) mm	SW1/SW2 Wrench Size mm	包装单位 Packet
HSM-M12-L	M12×1.5	3~6.5	12	10	19	14/14	50
HSM-M16-HL	M16×1.5	3~6.5	16	10	20	14/18	50
HSM-M16-L	M16×1.5	4~8	16	10	21	17/18	50
HSM-M16-DL	M16×1.5	5~10	16	10	22.5	20/20	50
HSM-M18-L	M18×1.5	5~10	18	10	22.5	20/20	50
HSM-M20-HL	M20×1.5	5~10	20	10	22.5	20/22	32
HSM-M20-L	M20×1.5	6~12	20	10	23.5	22/22	32
HSM-M20-DL	M20×1.5	8~14	20	10	23	24/24	32
HSM-M22-L	M22×1.5	8~14	22	10	23	24/24	32
HSM-M24-HL	M24×1.5	6~12	24	12	23.5	22/28	18
HSM-M24-L	M24×1.5	8~14	24	12	23	24/27	18
HSM-M25-HL	M25×1.5	8~14	25	12	23	24/28	18
HSM-M25-L	M25×1.5	10~16	25	12	24.5	28/28	18
HSM-M25-DL	M25×1.5	13~18	25	12	26	30/30	18
HSM-M27-HL	M27×2.0	10~16	27	12	24.5	28/30	18
HSM-M27-L	M27×2.0	13~18	27	12	26	30/30	18
HSM-M30-HL	M30×2.0	10~16	30	12	24.5	28/34	18
HSM-M30-L	M30×2.0	13~18	30	12	26	30/34	18
HSM-M32-HL	M32×1.5	13~18	32	12	26	30/36	18
HSM-M32-L	M32×1.5	15~22	32	12	28	36/36	18
HSM-M32-DL	M32×1.5	18~25	32	12	33	40/38	8
HSM-M33-L	M33×2.0	18-25	33	12	33	40/38	8
HSM-M36-HL	M36×2.0	15~22	36	12	28	36/40	8
HSM-M36-L	M36×2.0	18~25	36	12	33	40/40	8
HSM-M40-HL	M40×1.5	18~25	40	15	33	40/45	4
HSM-M40-L	M40×1.5	22~30	40	15	35.5	45/45	4
HSM-M40-DL	M40×1.5	22~32	40	15	38.5	50/50	4
HSM-M42-L	M42×2.0	22~32	42	15	38.5	50/50	4
HSM-M48-L	M48×2.0	22~32	48	15	38.5	50/52	4
HSM-M50-L	M50×1.5	30~38	50	15	40	58/55	2
HSM-M56-L	M56×2.0	30~38	56	15	40	58/60	4
HSM-M60-L	M60×2.0	37~44	60	15	41	65/65	2
HSM-M63-L	M63×1.5	37~44	63	15	41	65/70	2
HSM-M63-DL	M63×1.5	42~53	63	15	44.5	75/75	1
HSM-M64-L	M64×2.0	37~44	64	15	41	65/70	2

★ SW1代表圆螺帽扳手尺寸, SW2代表接头体扳手尺寸 Remarks: SW1 stands for round nut wrench size, SW2 stands for joint wrench size
 所有规格材质可以提供不锈钢HSMS系列和铝合金HSMAL系列
 HSMS (stainless steel version) and HSMAL (aluminum version) are available for all sizes

HSM 金属电缆防水接头 Metal Cable Gland

- 材料: 外部金属为黄铜镀镍,内部芯套为尼龙 密封件材料为改性橡胶
- 温度: -40°C~100°C,短时达到120°C
- 防护等级: 在规定的卡口范围内,防护等级可以达到IP68
- 性能: 通过IEC-60077-1999抗振动和抗冲击试验,通过RoHS测试

- Material: Body:nickel-plated brass Inner core:Polyamide, Sealing: modified rubber
- Temperature range: Min-40°C,max100°C,short-term120°C
- IP degree: Within the clamping range, its IP degree can reach IP68
- Properties: Succeed in the experiment of IEC-60077-1999 resistance to vibration and impact, passed RoHS



HSM-P 德国 PG 螺纹 German PG Thread

规格型号 Article No.	螺纹规格 Thread Dimension	卡口范围 Clamping Range mm	螺纹外径 AG mm	螺纹长度 GL mm	(H) mm	SW1/SW2 Wrench Size mm	包装单位 Packet
HSM-P07	PG7	3~6.5	12.5	6	19	14/14	75
HSM-P09-H	PG9	3~6.5	15.2	7	20	14/17	75
HSM-P09	PG9	4~8	15.2	7	21	17/17	75
HSM-P11	PG11	5~10	18.6	7	22.5	20/20	32
HSM-P13.5-H	PG13.5	5~10	20.4	7	22.5	20/22	32
HSM-P13.5	PG13.5	6~12	20.4	7	23.5	22/22	32
HSM-P16-H	PG16	6~12	22.5	7	23.5	22/24	32
HSM-P16	PG16	8~14	22.5	7	23	24/24	32
HSM-P21-H	PG21	10~16	28.3	7	24.5	28/30	18
HSM-P21	PG21	13~18	28.3	7	26	30/30	18
HSM-P29-H	PG29	15~22	37	8	28	36/40	8
HSM-P29	PG29	18~25	37	8	33	40/40	8
HSM-P36	PG36	22~32	47	9	38.5	50/50	4
HSM-P42	PG42	30~38	54	9	40	58/58	2
HSM-P48	PG48	37~44	59.3	10	41	65/65	2

HSM-P-L 加长型德国 PG 螺纹 Lengthened German PG Thread

规格型号 Article No.	螺纹规格 Thread Dimension	卡口范围 Clamping Range mm	螺纹外径 AG mm	螺纹长度 GL mm	(H) mm	SW1/SW2 Wrench Size mm	包装单位 Packet
HSM-P07-L	PG7	3~6.5	12.5	10	19	14/14	50
HSM-P09-HL	PG9	3~6.5	15.2	10	20	14/17	50
HSM-P09-L	PG9	4~8	15.2	10	21	17/17	50
HSM-P11-L	PG11	5~10	18.6	10	22.5	20/20	50
HSM-P13.5-HL	PG13.5	5~10	20.4	10	22.5	20/22	32
HSM-P13.5-L	PG13.5	6~12	20.4	10	23.5	22/22	32
HSM-P16-HL	PG16	6~12	22.5	10	23.5	22/24	32
HSM-P16-L	PG16	8~14	22.5	10	23	24/24	32
HSM-P21-HL	PG21	10~16	28.3	12	24.5	28/30	18
HSM-P21-L	PG21	13~18	28.3	12	26	30/30	18
HSM-P29-HL	PG29	15~22	37	12	28	36/40	8
HSM-P29-L	PG29	18~25	37	12	33	40/40	8
HSM-P36-L	PG36	22~32	47	15	38.5	50/50	4
HSM-P42-L	PG42	30~38	54	15	40	58/58	2
HSM-P48-L	PG48	37~44	59.3	15	41	65/65	2

★ 所有规格材质可以提供不锈钢HSMs系列和铝合金HSMAL系列
HSMs (stainless steel version) and HSMAL (aluminum version) are available for all sizes

HSM 金属电缆防水接头 Metal Cable Gland

- 材料: 外部金属为黄铜镀镍,内部芯套为尼龙 密封件材料为改性橡胶
- 温度: -40°C~100°C,短时达到120°C
- 防护等级: 在规定的卡口范围内,防护等级可以达到IP68
- 性能: 通过IEC-60077-1999抗振动和抗冲击试验,通过RoHS测试

- Material: Body: Nickel-plated brass; Inner core: Polyamide, Sealing: Modified rubber
- Temperature range: Min-40°C,max100°C,short-term120°C
- IP degree: Within the clamping range, its IP degree can reach IP68
- Properties: Succeed in the experiment of IEC-60077-1999 resistance to vibration and impact, passed RoHS



HSM-G G 管螺纹 G Thread

规格型号 Article No.	螺纹规格 Thread Dimension	卡口范围 Clamping Range mm	螺纹外径 AG mm	螺纹长度 GL mm	(H) mm	扳手尺寸 SW1/SW2 mm	包装单位 Packet
HSM-G3/8	G3/8"	4~8	16.65	8	21	17/20	32
HSM-G1/2-H	G1/2"	5~10	20.95	8	22.5	20/24	32
HSM-G1/2	G1/2"	6~12	20.95	8	23.5	22/24	32
HSM-G1/2-D	G1/2"	8~14	20.95	8	23.5	24/24	32
HSM-G3/4-TH	G3/4"	6~12	26.44	8	23.5	22/30	18
HSM-G3/4-H	G3/4"	8~14	26.44	8	23	24/30	18
HSM-G3/4	G3/4"	13~18	26.44	8	26	30/30	18
HSM-G1	G1"	18~25	33.24	9	33	40/38	8
HSM-G1 1/4	G1 1/4"	22~32	41.91	10	38.5	50/50	4
HSM-G1 1/2	G1 1/2"	30~38	47.80	10	40	58/55	2
HSM-G2	G2"	37~44	59.61	11	41	65/65	2

HSM-N NPT 制锥管螺纹 NPT Thread

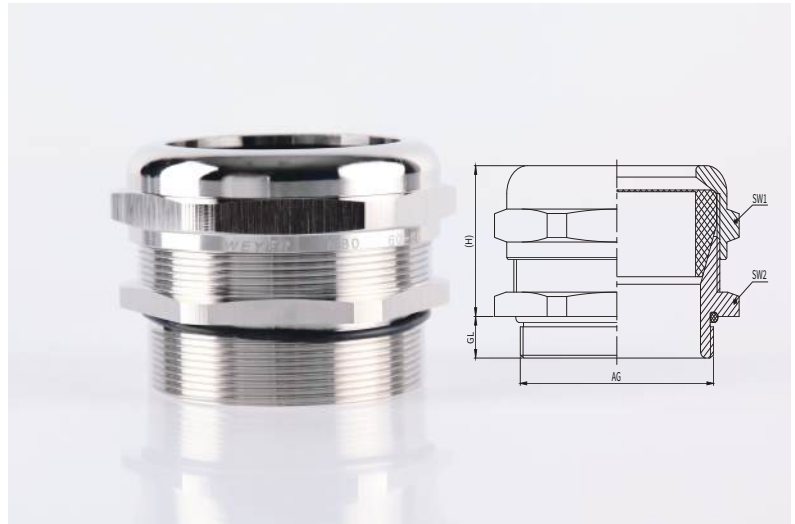
规格型号 Article No.	螺纹规格 Thread Dimension	卡口范围 Clamping Range mm	基面螺纹外径 AG mm	螺纹长度 GL mm	(H) mm	扳手尺寸 SW1/SW2 mm	包装单位 Packet
HSM-N3/8	NPT3/8"	4~8	16.65	13	21	17/20	50
HSM-N1/2-H	NPT1/2"	5~10	20.85	13	22.5	20/23	32
HSM-N1/2	NPT1/2"	6~12	20.85	13	23.5	22/23	32
HSM-N1/2-D	NPT1/2"	8~14	20.85	13	23.5	24/24	32
HSM-N3/4-TH	NPT3/4"	6~12	26.30	13	23.5	22/30	18
HSM-N3/4-H	NPT3/4"	8~14	26.30	13	23	24/30	18
HSM-N3/4	NPT3/4"	13~18	26.30	13	26	30/30	18
HSM-N1	NPT1"	18~25	33.15	16	33	40/38	8
HSM-N1 1/4	NPT1 1/4"	22~32	41.85	16	38.5	50/50	4
HSM-N1 1/2	NPT1 1/2"	30~38	47.75	18	40	58/55	2
HSM-N2	NPT2"	37~44	59.55	18	41	65/65	1

- ★ 所有规格材质可以提供不锈钢HSMS系列和铝合金HSMAL系列
HSMS (stainless steel version) and HSMAL (aluminum version) are available for all sizes

HSM 大口径电缆防水接头 Large Diameter Metal Cable Gland

- 材料: 外部金属为黄铜镀镍,内部密封件材料为改性橡胶
- 温度: -40°C~100°C,短时达到 120°C
- 防护等级: 在规定的卡口范围内,防护等级可以达到IP68
- 应用场合: 大口径电缆密封
- 更多选择: 可根据要求特别定制(含 EMV 屏蔽型、FLAT 方口型、多芯型等)

- Material: Body: nickel-plated brass, Sealing: modified rubber
- Temperature range: Min -40°C,max 100°C, short-term 120°C
- IP degree: Within the clamping range, its IP degree can reach IP68
- Application: For seal of jumbo cable
- More choices: We can customize according to your requirements (for example, EMV shield model, flat model, multi-core model, etc)



HSM-M 公制螺纹 Metric Thread

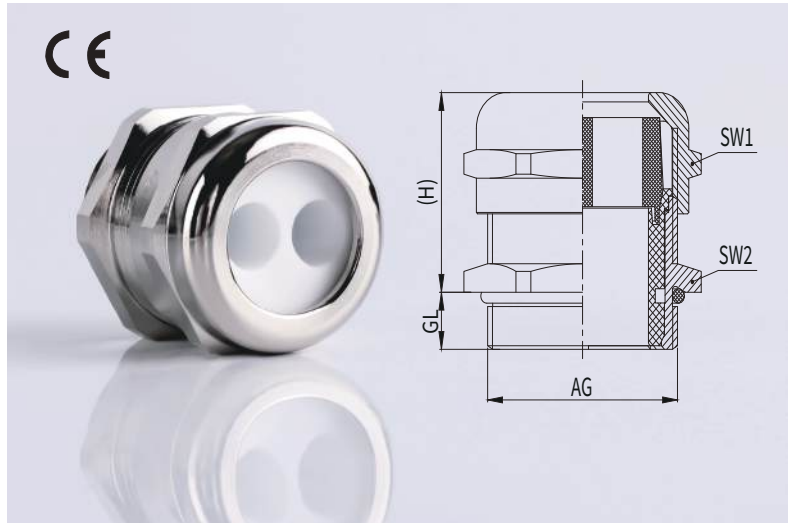
规格型号 Article No.	螺纹规格 Thread Dimension	卡口范围 Clamping Range mm	螺纹外径 AG mm	螺纹长度 GL mm	(H) mm	扳手尺寸 SW1/SW2 mm	包装单位 Packet	备注 Remarks
HSM-M63-TD	M63×1.5	52-57	63	10	43	80/80	2	自带防尘膜 Custom dust-proof film
HSM-M72-H	M72×2.0	52-57	72	12	43	80/80	2	
HSM-M75-H	M75×2.0	52-57	75	12	43	80/80	2	
HSM-M80-H	M80×2.0	52-57	80	12	43	80/86	2	
HSM-M72	M72×2.0	55-61	72	12	43	86/86	2	
HSM-M75	M75×2.0	55-61	75	12	43	86/86	2	
HSM-M80	M80×2.0	55-61	80	12	43	86/86	2	
HSM-M80-D	M80×2.0	60-66	80	12	43	90/90	2	
HSM-M85	M85×2.0	60-66	85	12	43	90/90	2	
HSM-M88	M88×2.0	65-71	88	12	56	95/95	1	
HSM-M90	M90×2.0	65-71	90	12	56	95/95	1	
HSM-M100	M100×2.0	74-81	100	20.5	50	110/110	1	
HSM-M110	M110×2.0	80-86	110	25	65	120/115	1	

★ 所有规格材质可以提供不锈钢HSMS系列和铝合金HSMAL系列
HSMS (stainless steel version) and HSMAL (aluminum version) are available for all sizes

HSM/nxd 多芯金属电缆防水接头 Metal Cable Gland With Multi-Core

- 材料: 外部金属为黄铜镀镍,内部芯套为尼龙;密封件材料为硅橡胶
- 温度: -40°C~100°C,短时达到120°C
- 防护等级: IP65 (在线径=孔径的情况下可达到IP68)
- 性能: 通过IEC-60077-1999抗振动和抗冲击试验,通过RoHS测试

- Material: Body: nickel-plated brass; Inner core: Polyamide; Sealing: modified rubber
- Temperature range: Min-40°C,max100°C,short-term120°C
- IP degree: IP65 (When the diameter of cables equals to that of holes, it can reach IP68)
- Properties: Succeed in the experiment of IEC-60077-1999 resistance to vibration and impact, passed RoHS



HSM-M/nxd 公制螺纹 Metric Thread

规格型号 Article No.	螺纹规格 Thread mm	卡口 (nxd) Clamping mm	螺纹外径 AG mm	螺纹长度 GL mm	(H) mm	SW1/SW2 Wrench Size mm	包装单位 Packet
HSM-M16/4×1.5	M16×1.5	4×1.5	16	7	20	17/18	75
HSM-M16/2×3	M16×1.5	2×3	16	7	21	17/18	75
HSM-M18/2×3	M18×1.5	2×3	18	7	21	17/20	32
HSM-M18/4×3	M18×1.5	4×3	18	7	22.5	20/20	32
HSM-M18/2×4.5	M18×1.5	2×4.5	18	7	22.5	20/20	32
HSM-M20/3×2.5	M20×1.5	3×2.5	20	7	23	20/22	32
HSM-M20/6×3	M20×1.5	6×3	20	7	23.5	22/22	32
HSM-M20/3×4	M20×1.5	3×4	20	7	23.5	22/22	32
HSM-M20/2×5	M20×1.5	2×5	20	7	23.5	22/22	32
HSM-M25/4×6	M25×1.5	4×6	25	7	26	30/30	18
HSM-M25/3×7	M25×1.5	3×7	25	7	26	30/30	18
HSM-M25/2×8	M25×1.5	2×8	25	7	26	30/30	18
HSM-M32/6×6.5	M32×1.5	6×6.5	32	8	33	40/40	8
HSM-M32/4×9	M32×1.5	4×9	32	8	33	40/40	8
HSM-M40/5×9	M40×1.5	5×9	40	9	38.5	50/50	4
HSM-M40/7×9	M40×1.5	7×9	40	9	38.5	50/50	4
HSM-M40/6×8	M40×1.5	6×8	40	9	38.5	50/50	4
HSM-M40/2×15	M40×1.5	2×15	40	9	38.5	50/50	4
HSM-M63/8×10	M63×1.5	8×10	63	10	41	58/70	2
HSM-M63/6×12	M63×1.5	6×12	63	10	41	58/70	2
HSM-M63/4×19	M63×1.5	4×19	63	10	44.5	75/75	2

★ 所有打*暂未开发 All article No. marked * hasn't been developed

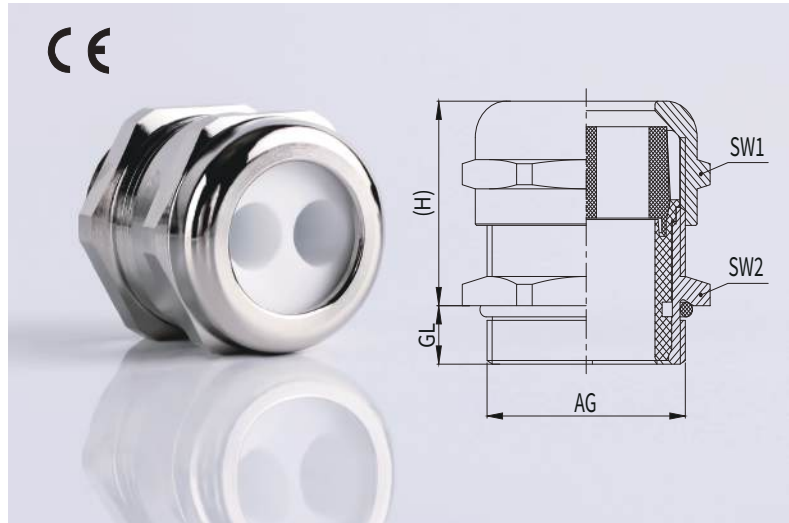
所有规格材质可以提供不锈钢HSMS系列和铝合金HSMAL系列

HSMS (stainless steel version) and HSMAL (aluminum version) are available for all sizes

HSM/nxd 多芯金属电缆防水接头 Metal Cable Gland With Multi-Core

- 材料: 外部金属为黄铜镀镍,内部芯套为尼龙;密封件材料为硅橡胶
- 温度: -40°C~100°C,短时达到120°C
- 防护等级: IP65 (在线径=孔径的情况下可达到IP68)
- 性能: 通过IEC-60077-1999抗振动和抗冲击试验,通过RoHS测试

- Material: Body: nickel-plated brass;
Seal: Polyamide ; Sealing: modified rubber
- Temperature range: Min-40°C,max100°C,short-term120°C
- IP degree: IP65 (When the diameter of cables equals to that of holes, it can reach IP68)
- Properties: Succeed in the experiment of IEC-60077-1999 resistance to vibration and impact, passed RoHS



HSM-P/nxd PG 螺纹 PG Thread

规格型号 Article No.	螺纹规格 Thread mm	卡口 (nxd) Clamping mm	螺纹外径 AG mm	螺纹长度 GL mm	(H) mm	SW1/SW2 Wrench Size mm	包装单位 Packet
HSM-P09/4×1.5	PG9	4×1.5	15.2	7	19	17/17	75
HSM-P09/2×3	PG9	2×3	15.2	7	21	17/17	75
HSM-P11/2×3	PG11	2×3	18.6	7	21	17/20	32
HSM-P11/3×3.3	PG11	3×3.3	18.6	7	23	20/22	32
HSM-P11/2×4.5	PG11	2×4.5	18.6	7	23	20/22	32
HSM-P13.5/3×2	PG13.5	3×2	20.4	7	23	22/22	32
* HSM-P13.5/6×3	PG13.5	6×3	20.4	7	24	22/22	32
HSM-P13.5/3×4	PG13.5	3×4	20.4	7	23.5	22/22	32
HSM-P16/3×3	PG16	3×3	22.5	7	23	22/24	32
HSM-P16/3×4	PG16	3×4	22.5	7	23	24/24	32
HSM-P16/4×4	PG16	4×4	22.5	7	23	24/24	32
HSM-P16/5×4	PG16	5×4	22.5	7	23	24/24	32
HSM-P16/6×4	PG16	6×4	22.5	7	23	24/24	32
HSM-P16/2×6	PG16	2×6	22.5	7	23	24/24	32
HSM-P16/3×5.6	PG16	3×5.6	22.5	7	23.5	24/24	32
HSM-P21/4×6	PG21	4×6	28.3	7	26	30/30	18
HSM-P21/3×7	PG21	3×7	28.3	7	26	30/30	18
HSM-P21/2×8	PG21	2×8	28.3	7	26	30/30	18
HSM-P29/6×6.5	PG29	6×6.5	37	8	33	36/40	8
HSM-P29/4×9	PG29	4×9	37	8	33	40/40	8
HSM-P36/5×9	PG36	5×9	47	9	38.5	50/50	4
HSM-P36/7×9	PG36	7×9	47	9	38.5	50/50	4
HSM-P36/6×8	PG36	6×8	47	9	38.5	50/50	4
HSM-P36/2×15	PG36	2×15	47	9	38.5	50/50	4
* HSM-P48/8×10	PG48	8×10	59.3	10	41.5	58/65	2
HSM-P48/6×12	PG48	6×12	59.3	10	41.5	65/65	2
HSM-P48/3×18	PG48	3×18	59.3	10	41.5	65/65	2

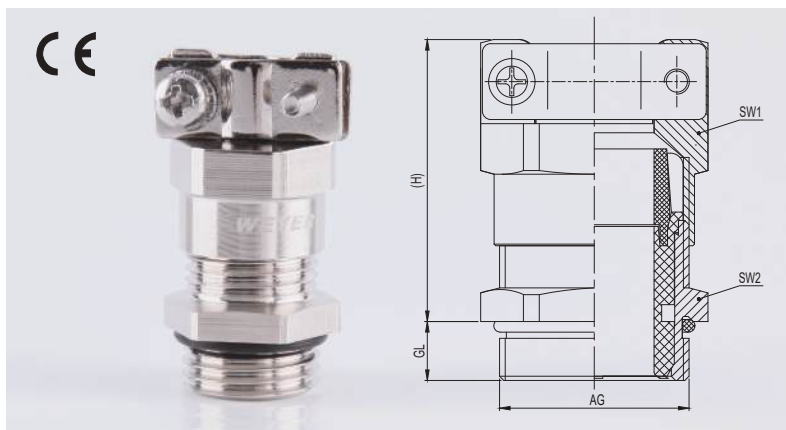
★ 所有打*暂未开发 All article No. marked * hasn't been developed

所有规格材质可以提供不锈钢HSMS系列和铝合金HSMAL系列
HSMs (stainless steel version) and HSMAL (aluminum version) are available for all sizes

DHSM 双锁紧金属电缆防水接头 Double-lock Metal Cable Gland

- 材料: 外部金属为黄铜镀镍;内部芯套为尼龙;密封件材料为改性橡胶
- 温度: -40°C~100°C,短时达到120°C
- 防护等级: 在规定的卡口范围内,防护等级可达到IP68
- 性能: 通过RoHS测试
- 更多选择: 锁紧扣可选择机加工件

- Material: Body: Nickel-plated Brass, Inner core: PA; Sealing: modified rubber
- Temperature range: Min-40°C,Max100°C,Short-term120°C
- IP degree: Within the clamping range, its IP degree can reach IP68
- Properties: Passed RoHS
- More Options: Machined part is optional for locking latch



DHSM-M 公制螺纹 Metric Thread

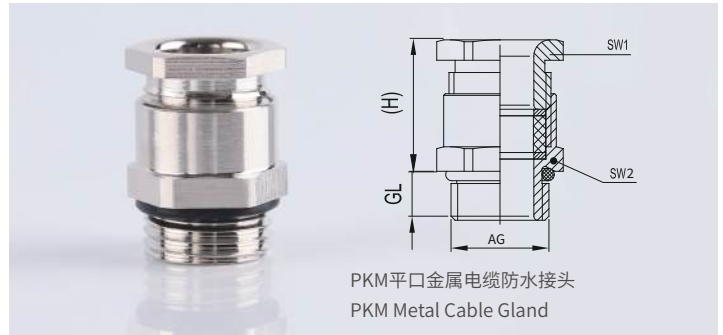
规格型号 Article No.	螺纹规格 Thread mm	卡口范围 Clamping Range mm	螺纹外径 AG mm	螺纹长度 GL mm	(H) mm	SW1/SW2 Wrench Size mm	包装单位 Packet
DHSM-M12	M12×1.5	3~6.5	12	6	29.5	15/14	50
DHSM-M16-H	M16×1.5	3~6.5	16	7	29.5	15/18	32
DHSM-M16	M16×1.5	4~8	16	7	31	17/18	32
DHSM-M16-D	M16×1.5	5~10	16	7	33	20/20	32
DHSM-M18	M18×1.5	5~10	18	7	33	20/20	32
DHSM-M20-H	M20×1.5	5~10	20	7	32.5	20/22	32
DHSM-M20	M20×1.5	6~12	20	7	34	22/22	32
DHSM-M20-D	M20×1.5	8~14	20	7	34	24/24	32
* DHSM-M24-H	M24×1.5	6~12	24	7	34	22/27	18
* DHSM-M24	M24×1.5	8~14	24	7	34	24/27	18
* DHSM-M25-H	M25×1.5	8~14	25	7	34	24/28	18
DHSM-M24-D	M24×1.5	10~16	24	7	36	28/28	18
DHSM-M25	M25×1.5	10~16	25	7	37	28/28	18
DHSM-M25-D	M25×1.5	13~18	25	7	36	30/30	18
DHSM-M27-H	M27×2.0	10~16	27	8	37	30/30	18
* DHSM-M27	M27×2.0	13~18	27	8	36	30/30	18
DHSM-M30-H	M30×2.0	10~16	30	8	37	30/34	18
DHSM-M30	M30×1.5	13~18	30	8	36	30/34	18
DHSM-M32-H	M32×1.5	13~18	32	8	36	30/36	18
DHSM-M32	M32×1.5	15~22	32	8	40	36/36	8
DHSM-M36	M36×2.0	18~25	36	8	45	40/40	4
DHSM-M32-D	M32×1.5	18~25	32	8	45	40/40	4
* DHSM-M36-H	M36×2.0	15~22	36	8	36	36/40	4
DHSM-M40-H	M40×1.5	18~25	40	9	43	40/45	4
DHSM-M40	M40×1.5	22~30	40	9	49	45/45	4
DHSM-M40-D	M40×1.5	22~32	40	9	50.5	50/50	4
* DHSM-M48	M48×2.0	22~32	48	9	50.5	50/52	2
DHSM-M50	M50×1.5	30~38	50	9	54	58	2
* DHSM-M56	M56×2.0	30~38	56	9	54	60	2
DHSM-M63	M63×1.5	37~44	63	10	54	65/70	1
DHSM-M64-D	M64×2.0	42~53	64	10	57	75/75	1
DHSM-M64	M64×2.0	37~44	64	10	54	65/70	1

★ 所有规格材质可以提供不锈钢DHSM系列 DHSM (stainless steel version) are available for all sizes
所有打*暂未开发 All article No. marked * hasn't been developed

PKM/MPKM 平口金属电缆防水接头 PKM/MPKM Metal Cable Gland

- 材料: 外部金属为黄铜镀镍,密封件材料为改性橡胶
- 温度: -40°C~100°C,短时达到120°C
- 防护等级: 在规定的卡口范围内,防护等级可以达到IP68
- 性能: 通过IEC-60077-1999抗振动和抗冲击试验,通过RoHS测试

- Material: Body: nickel-plated brass Sealing:modified rubber
- Temperature range: Min-40°C,max100°C,short-term120°C
- IP degree: Within the clamping range, its IP degree can reach IP68
- Properties: Succeed in the experiment of IEC-60077-1999 resistance to vibration and impact, passed RoHS



PKM-M/MPKM-M 公制螺纹 M Thread

规格型号 Article No.	规格型号 Article No.	卡口范围 Clamping Range mm	螺纹规格 Thread Dimension	螺纹长度 GL mm	(H) PKM / MPKM mm	扳手尺寸 SW1/SW2/SW3/SW4 mm	包装单位 Packet
PKM-M12	MPKM-M12	6~8	M12×1.5	6	16.1/25	14/14/17/14	75
PKM-M16-H	MPKM-M16-H	6~8	M16×1.5	7	17/27	14/18/20/18	75
PKM-M16	MPKM-M16	8~10	M16×1.5	7	17/27	17/18/20/18	75
PKM-M18-TH	MPKM-M18-TH	6~8	M18×1.5	7	17/26	14/20/17/20	32
PKM-M18-H	MPKM-M18-H	8~10	M18×1.5	7	17/27	17/20/20/20	32
PKM-M18	MPKM-M18	10~12	M18×1.5	7	18/28	20/20/22/20	32
PKM-M20	MPKM-M20	12~14	M20×1.5	7	19.5/29.5	21/24/24/24	32
PKM-M25	MPKM-M25	14~18	M25×1.5	7	32.5/41	34/34/32/34	18
PKM-M32	MPKM-M32	17~23	M32×1.5	8	32.5/41.5	38/40/38/40	8
PKM-M36	MPKM-M36	22~27	M36×2.0	8	35/43.5	45/45/45/46	8
PKM-M40	MPKM-M40	26~33	M40×1.5	9	35/46	50/52/50/52	4
PKM-M50	MPKM-M50	32~41	M50×1.5	9	35/47	60/60/58/60	2
PKM-M56	MPKM-M56	40~49	M56×2.0	9	38/50	65/70/65/70	2
PKM-M63	MPKM-M63	48~57	M63×1.5	10	38/50	75/80/75/80	2

PKM-P/MPKM-P 德国 PG 螺纹 PG Thread

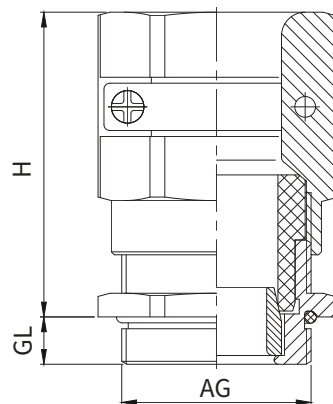
规格型号 Article No.	规格型号 Article No.	卡口范围 Clamping Range mm	螺纹规格 Thread Dimension	螺纹长度 GL mm	(H) PKM / MPKM mm	扳手尺寸 SW1/SW2/SW3/SW4 mm	包装单位 Packet
PKM-P07	MPKM-P07	6~8	PG7	6	16.1 / 25	14/14/17/14	75
PKM-P09-H	MPKM-P09-H	6~8	PG9	7	17 / 26	17/17/17/17	75
PKM-P09	MPKM-P09	8~10	PG9	7	17 / 27	17/17/20/17	75
PKM-P11-TH	MPKM-P11-TH	6~8	PG11	7	16.6 / 26	14/21/17/21	32
PKM-P11-H	MPKM-P11-H	8~10	PG11	7	17 / 27	17/20/20/20	32
PKM-P11	MPKM-P11	10~12	PG11	7	18 / 28	20/20/22/20	32
PKM-P13.5	MPKM-P13.5	12~14	PG13.5	7	19.5 / 29.5	21/24/24/24	32

★ PKM 及 MPKM亦可提供不锈钢产品 Note: PKM and MPKM can also provide stainless steel products.
所有规格材质可以提供不锈钢PKMS/MPKMS系列 PKMS/MPKMS (stainless steel version) are available for all sizes

MHSM 双锁紧屏蔽电缆防水接头 Double-lock Metal Cable Gland

- 材料: 外部金属为黄铜镀镍,密封件材料为改性橡胶
- 温度: -40°C~100°C,短时达120°C
- 防护等级: 在规定的卡口范围之内, 防护等级可以达到IP68
- 性能: 通过IEC-60077-1999抗振动和抗冲击试验

- Material: Body: nickel-plated brass; Sealing: modified rubber
- Temperature range: Min -40°C, Max 100°C, Short-term 120°C
- IP degree: Within the clamping range, its IP degree can reach IP68
- Properties: Succeed in the experiment of IEC-60077-1999 resistance to vibration and impact resistance



MHSM-M 公制螺纹 Metric Thread

产品型号 Article No.	螺纹规格 Thread Dimension	卡口范围 Clamping Range mm	螺纹外径 AG mm	螺纹长度 GL mm	(H) mm	扳手尺寸 SW1/SW2 mm	包装单位 Packet
MHSM-M25	M25×1.5	12-15	25	7	39	26/28	9
MHSM-M25-D	M25×1.5	14-17	25	7	42.5	28	9
MHSM-M32-H	M32×1.5	14-17	32	8	42.5	36	9
MHSM-M32-X1	M32×1.5	17.5-20.5	32	8	51.5	36	9
MHSM-M32-X1-L	M32×1.5	17.5-20.5	32	12	51.5	36	9
MHSM-M36	M36×2	21-26	36	8	50.5	45	4

★ 所有规格材质可以提供不锈钢MHSM系列 MHSMs (stainless steel version) are available for all sizes

HSM.D 单芯电缆防水接头 Metal Cable Gland With Single-Core

- 材料: 外部金属为黄铜镀镍;内部芯套为TPE
- 温度: -40°C~100°C
- 防护等级: 在规定的卡口范围内,防护等级可达到IP68
- 性能: 通过RoHS测试

- Material: Body: nickel-plated brass; Inner core: TPE
- Temperature range: Min -40°C,max 100°C
- IP degree: Within the clamping range, its IP degree can reach IP68
- Properties: Passed RoHS



HSM.D-M 公制螺纹 Metric Thread

规格型号 Article No.	螺纹规格 Thread mm	卡口范围 Clamping mm	螺纹外径 AG mm	螺纹长度 GL mm	(H) mm	扳手尺寸 SW1/SW2 mm	包装单位 Packet
HSM.D-M12/7	M12×1.5	4-7	12	6	19.5	14/14	75
HSM.D-M16/7	M16×1.5	4-7	16	7	19.5	14/18	75
HSM.D-M16/9.5	M16×1.5	6.5-9.5	16	7	20.5	18/18	75
HSM.D-M18/7	M18×1.5	4-7	18	7	19.5	14/20	75
HSM.D-M18/9.5	M18×1.5	6.5-9.5	18	7	20.5	18/20	75
HSM.D-M20/7	M20×1.5	4-7	20	7	20	14/22	32
HSM.D-M20/9.5	M20×1.5	6.5-9.5	20	7	21	18/22	32
HSM.D-M20/13	M20×1.5	9-13	25	7	24	28/26	18
HSM.D-M25/9.5	M25×1.5	6.5-9.5	25	7	21	18/28	18
HSM.D-M25/13	M25×1.5	9-13	25	7	24	28/28	18
HSM.D-M25/17	M25×1.5	15-17	32	7	23.5	28/28	18
HSM.D-M32/13	M32×1.5	9-13	32	8	24.5	28/36	18
HSM.D-M32/17	M32×1.5	13-17	32	8	24.5	28/36	18
HSM.D-M32/19	M32×1.5	15-19	32	8	26.5	36/36	18
HSM.D-M32/22	M32×1.5	18-22	32	8	26	36/36	8
HSM.D-M40/19	M40×1.5	15-19	40	9	26	36/45	8
HSM.D-M40/22	M40×1.5	18-22	40	9	26.5	36/45	8
HSM.D-M40/25	M40×1.5	21-25	40	9	29	45/45	8
HSM.D-M40/28	M40×1.5	24-28	40	9	28.5	45/45	8
* HSM.D-M50/25	M50×1.5	21-25	50	9	29	45/55	8
* HSM.D-M50/28	M50×1.5	24-28	50	9	28.5	45/55	8
HSM.D-M50/33	M50×1.5	28-33	50	9	29.5	50/55	8
HSM.D-M50/37	M50×1.5	32-37	50	9	30.5	55/55	8
* HSM.D-M50/40	M50×1.5	35-40	50	9	33	60/60	8
* HSM.D-M63/40	M63×1.5	35-40	63	10	33	60/70	2
* HSM.D-M63/46	M63×1.5	40-46	63	10	33	70/70	2
* HSM.D-M63/51	M63×1.5	45-51	63	10	36	75/75	2

★ 所有打*暂未开发 All article No. marked * hasn't been developed

所有规格材质可以提供不锈钢HSM.S.D系列和铝合金HSMAL.D系列

HSM.S.D (stainless steel version) and HSMAL.D (aluminum version) are available for all sizes

HSM.DS 耐高温单芯电缆防水接头

HSM.DS Metal High Temperature Resistant Cable Gland With Single-Core

- 材料: 外部金属为黄铜镀镍;内部芯体和密封件材料为硅橡胶
 - 温度: -50°C~150°C
 - 防护等级: 在规定的卡口范围之内可达到IP68
 - 阻燃等级: V0(UL94)
 - 阻燃性能: 不含卤素、磷、镉,RoHS,耐UV,通过抗老化测试
-
- Material: Body: nickel-plated brass, Sealing: modified rubber
 - Temperature range: Min -50°C,max 150°C
 - IP degree: Within the clamping range,its IP degree can reach IP68
 - Flame-retardant: V0 (UL94)
 - Flame-retardant: Free of halogen,phosphor and cadmium, UV-resistance,RoHS, passed anti-aging test



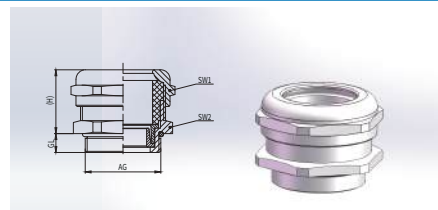
HSM.DS-M 公制螺纹 Metric Thread

规格型号 Article No.	螺纹规格 Thread Dimension	卡口范围 Clamping Range mm	螺纹长度 GL mm	高 H mm	扳手尺寸 SW1/SW2 mm	包装单位 Packet
HSM.DS-M16/7	M16×1.5	4-7	7	20.5	18/18	75
HSM.DS-M20/10	M20×1.5	7-10	7	23	22/22	32
HSM.DS-M20/13	M20×1.5	9-13	7	23.5	28/26	18
HSM.DS-M25/13	M25×1.5	9-13	7	24	28/28	18
HSM.DS-M25/15	M25×1.5	12-15	7	25	30/28	18
HSM.DS-M32/15	M32×1.5	12-15	8	25	30/36	18
HSM.DS-M32/18	M32×1.5	14-18	8	26	36/36	18
HSM.DS-M32/22	M32×1.5	18-22	8	27	40/38	8
HSM.DS-M40/22	M40×1.5	18-22	9	27	40/45	8
* HSM.DS-M40/25	M40×1.5	21-25	9	27	45/45	8
* HSM.DS-M40/30	M40×1.5	25-30	9	29	50/46	8
* HSM.DS-M50/30	M50×1.5	25-30	9	30	50/55	8
* HSM.DS-M50/34	M50×1.5	29-34	9	30	55/55	8
HSM.DS-M50/36	M50×1.5	32-36	9	29.5	55/55	8
* HSM.DS-M56/37	M56×2.0	32-37	9	31	55/60	2
* HSM.DS-M56/40	M56×2.0	35-40	9	33.5	60/60	2
* HSM.DS-M56/43	M56×2.0	38-43	10	33.5	60/60	2
* HSM.DS-M63/43	M63×1.5	38-43	10	33.5	60/70	2
* HSM.DS-M63/46	M63×1.5	41-46	10	33.5	70/70	2
* HSM.DS-M63/51	M63×1.5	45-51	10	36	75/75	2

- ★ 所有打*暂未开发 All article No. marked * hasn't been developed
 所有规格材质可以提供不锈钢HSM.S.DS系列和铝合金HSMAL.DS系列
 HSM.S.DS (stainless steel version) and HSMAL.DS (aluminum version) are available for all sizes

HSM.DS-KZ1系列-单芯铠装电缆防水接头 Single Core Armoured Cable Gland

- 材料: 外部金属黄铜镀镍 密封件材料: 硅橡胶
 - 温度: -50°C~150°C
 - 防护等级: 在规定的卡口范围内,防护等级可以达到IP68
-
- Material: Body: nickel-plated brass sealing material: silicon rubber
 - Temperature Range: Min -50°C,Max 150°C
 - IP degree: Within the clamping range, its IP degree can reach IP68

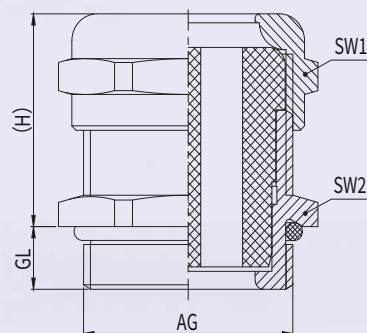


规格型号 Article No.	螺纹规格 Thread Dimension	卡口范围 Clamping Range mm	螺纹外径 AG mm	螺纹长度 GL mm	(H) mm	扳手尺寸 SW1/SW2 mm	包装单位 Packet
* HSM.DS-KZ1-M16/8(V0)	M16x1.5	5-8	16	6	20.5	18/18	50
* HSM.DS-KZ1-M20/10(V0)	M20x1.5	7-10	20	7	23	22/22	50
HSM.DS-KZ1-M25/15(V0)	M25x1.5	12-15	25	7	25	30/28	25
HSM.DS-KZ1-M32/18(V0)	M32x1.5	14~18	32	8	26	36/36	25
HSM.DS-KZ1-M32/25(V0)	M32x1.5	21~25	32	8	27	40/38	25
HSM.DS-KZ1-M40/28(V0)	M40x1.5	24~28	40	9	28.5	45/45	10
HSM.DS-KZ1-M40/30(V0)	M40x1.5	25~30	40	9	30	50/50	10

所有打*暂未开发 All article No. marked * hasn't been developed

HSM.DS/nxd 耐高温多芯金属电缆防水接头

HSM.DS Metal High Temperature Resistant Cable Gland With Multi-Core



HSM.DS-M/nxd 公制螺纹 M Thread

规格型号 Article No.	螺纹规格 Thread Dimension	卡口范围 Clamping Range mm	螺纹长度 GL mm	扳手尺寸 SW1/SW2 mm	包装单位 Packet
* HSM.DS-M20/5×2.5	M20×1.5	5×2.5	7	22/22	32
HSM.DS-M25/3×5	M25×1.5	3×5	7	28/28	18
* HSM.DS-M25/3×6.5	M25×1.5	3×6.5	7	30/28	18
HSM.DS-M25/4×3.5	M25×1.5	4×3.5	7	28/28	18
* HSM.DS-M25/4×5	M25×1.5	4×5	7	28/28	18
HSM.DS-M25/2×8.5	M25×1.5	2×8.5	7	30/30	18
* HSM.DS-M25/3×7.5	M25×1.5	3×7.5	7	30/30	18
HSM.DS-M32/3×8.5	M32×1.5	3×8.5	8	36/36	8
* HSM.DS-M32/5×5.5	M32×1.5	5×5.5	8	36/36	8
* HSM.DS-M40/5×8.5	M40×1.5	5×8.5	9	45/45	8
* HSM.DS-M50/3×12.5	M50×1.5	3×12.5	9	45/45	8
HSM.DS-M50/4×12.5	M50×1.5	4×12.5	9	50/55	8
HSM.DS-M50/5×12.5	M50×1.5	5×12.5	9	60/60	2
HSM.DS-M50/13×7	M50×1.5	13×7	9	55/55	2

- 材料: 外部金属为黄铜镀镍; 内部芯体和密封件材料为硅橡胶
- 温度: -50°C~150°C
- 防护等级: IP65 (在线径=孔径的情况下可达到IP68)
- 阻燃等级: V0(UL94), 不含卤素、磷、镉, 通过RoHS测试, 耐UV, 通过抗老化测试

- Material: Nickel-plated brass;
Seal: Silicon rubber
- Temperature range: Min-50°C, max150°C
- IP degree: IP65 (When the diameter of cables equals to that of holes, it can reach IP68)
- Properties: V0(UL94), free of halogen, phosphor and cadmium, passed RoHS; UV-resistance, passed anti-aging test.

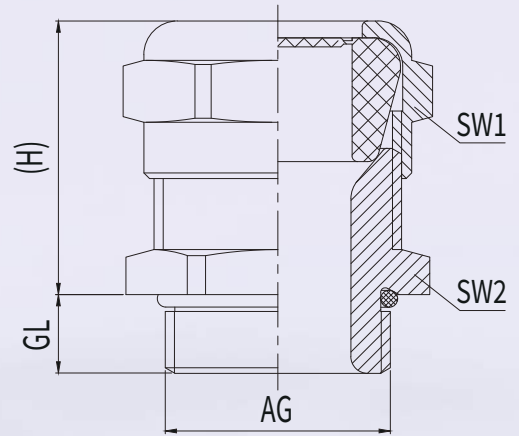
HSM.DS-P/nxd 德国 PG 螺纹 PG Thread

规格型号 Article No.	螺纹规格 Thread Dimension	卡口范围 Clamping Range mm	螺纹长度 GL mm	扳手尺寸 SW1/SW2 mm	包装单位 Packet
* HSM.DS-P21/3×7	PG21	3×5	7	30/28	18
* HSM.DS-P21/3×6.5	PG21	3×6.5	7	30	18
HSM.DS-P21/6×6	PG21	6×6	7	30	18
HSM.DS-P29/3×8.5	PG29	3×8.5	8	40/36	8
* HSM.DS-P36/5×8.5	PG36	5×8.5	8	50/45	4
* HSM.DS-P36/3×12.5	PG36	3×12.5	8	50/45	4

- ★ 所有规格材质可以提供不锈钢HSM.DS系列和铝合金HSMAL.DS系列
HSM.DS (stainless steel version) and HSMAL.DS (aluminum version) are available for all sizes
其它规格及其它螺纹规格如G制等需定制 Notice: Other sizes and other thread such as G thread can be customized
所有打*暂未开发 All article No. marked * hasn't been developed

HSM.ZX 金属电缆防水接头(锥型密封体)

HSM.ZX Metal Cable Gland(Cone Seal)



规格型号 Article No.	卡口范围 Clamping Range mm	螺纹规格 Thread AG mm	螺纹长度 Thread Length GL mm	安装初始高度 (H) mm	扳手尺寸 SW1/SW2 mm
HSM.ZX-M12/8	4~8	M12×1.5	6	24	17/17
HSM.ZX-M16/8	5~8	M16×1.5	6	23	18/18
HSM.ZX-M16/8-T	4~8	M16×1.5	7	27	22/22
HSM.ZX-M16/9.5	4~9.5	M16×1.5	7	27	22/22
HSM.ZX-M20/12	6~12	M20×1.5	7	27	24/24
HSM.ZX-M20/13	10~13	M20×1.5	7	27	24/24
HSM.ZX-M20/14	10~14	M20×1.5	7	27	24/24
HSM.ZX-M25/12	7~12	M25×1.5	7	29	30/30
HSM.ZX-M25/16	10~16	M25×1.5	7	30	30/30
HSM.ZX-M25/17	14~17	M25×1.5	7	30	30/30
HSM.ZX-M25/20	16~20	M25×1.5	7	30	30/30
HSM.ZX-M27/20	15~20	M27×2.0	8	30	30/30
HSM.ZX-M32/14-S34	9~14	M32×1.5	8	30	30/34
HSM.ZX-M32/16-S34	10~16	M32×1.5	8	29	30/34
HSM.ZX-M32/21	17~21	M32×1.5	8	29	36/36
HSM.ZX-M32/25	17~25	M32×1.5	8	30	38/38
HSM.ZX-M36/17-S34	13~17	M32×1.5	8	29	32/34
HSM.ZX-M36/28	20~28	M36×2.0	8	35	45/45
HSM.ZX-M40/28	20~28	M40×1.5	9	34	45/45

- 材料: 外部金属为黄铜镀镍, 芯体为硅橡胶
- 温度: -50°C~150°C
- 防护等级: 在规定的卡口范围之内, 防护等级可以达到IP68

- Material: Body: nickel plated brass;
Core: silicon rubber
- Temperature range: Min-50°C, max150°C
- IP degree: Within the clamping range, its IP degree can reach IP68

★ 所有规格材质可以提供不锈钢HSM.S.ZX系列和铝合金HSMAL.ZX系列
HSM.S.ZX(stainless steel version) and HSMAL.ZX (aluminum version) are available for all sizes

HSM-EMV 电磁兼容金属防水接头/公制螺纹 HSM-EMV Cable Gland/M Thread

- 材料:外部金属为黄铜镀镍,内部芯套为尼龙,密封件材料为改性橡胶
 - 温度:-40°C~100°C,短时达到120°C
 - 防护等级:在规定的卡口范围之内,防护等级可以达到IP68
 - 性能:通过IEC-60077-1999抗振动和抗冲击试验,通过RoHS测试
-
- Material: Body: nickel-plated brass Inner core: Polyamide, Sealing:modified rubber
 - Temperature range: Min-40°C,max100°C,short-term120°C
 - IP degree: Within the clamping range, its IP degree can reach IP68.
 - Properties: Succeed in the experiment of IEC-60077-1999 resistance to vibration and impact, passed RoHS



HSM-EMV 公制螺纹 Metric Thread

规格型号 Article No.	螺纹规格 Thread Dimension	卡口范围 Clamping Range mm	螺纹外径 AG mm	螺纹长度 GL mm	(H) mm	扳手尺寸 SW1/SW2 mm	包装单位 Packet
HSM-EMV-M12	M12×1.5	3~6.5	12	6	19	14/14	75
HSM-EMV-M16	M16×1.5	4~8	16	7	21	17/18	75
HSM-EMV-M18	M18×1.5	5~10	18	7	22.5	20/20	50
HSM-EMV-M20	M20×1.5	6~12	20	7	25	22/22	32
HSM-EMV-M24	M24×1.5	8~14	24	7	24	24/27	18
HSM-EMV-M25	M25×1.5	10~16	25	7	25.5	28/28	18
HSM-EMV-M25-D	M25×1.5	13~18	25	7	27	30/30	18
HSM-EMV-M30	M30×2.0	13~18	30	8	26	30/34	18
HSM-EMV-M32	M32×1.5	15~22	32	8	29	36/36	18
HSM-EMV-M32-D	M32×1.5	18~25	32	8	34.5	40/38	8
HSM-EMV-M36	M36×2.0	18~25	36	8	34.5	40/40	8
HSM-EMV-M40	M40×1.5	22~30	40	9	37.5	45/45	8
HSM-EMV-M40-D	M40×1.5	22~32	40	9	40	50/50	8
HSM-EMV-M48	M48×2.0	22~32	48	9	40	50/52	4
HSM-EMV-M50	M50×1.5	30~38	50	9	42	58/55	2
HSM-EMV-M56	M56×2.0	30~38	56	9	41	60/58	2
HSM-EMV-M63	M63×1.5	37~44	63	10	42.5	65/70	2
HSM-EMV-M64	M64×2.0	37~44	64	10	42.5	65/70	2

★ 所有规格材质可以提供不锈钢HSM-EMV系列 HSM-EMV(stainless steel version) are available for all sizes

具体使用

将屏蔽电缆的外护层破除一小段,并将屏蔽层截断,将一小段屏蔽层导体反包在接头的内芯套外部,长度应长于密封圈位置,然后用力放置入电缆接头,并旋紧。建议将柜体与电缆接头或螺母接触地方的油漆刮除,保证良好的导电性能。

Do away with one small section of the outer sheath of the screened cable, and cut off the shield layer, turn over the conductor of the shield layer and wrap it outside the seal, the length of it should be longer than the position of the sealing ring, then put into the cable gland and revolve it tightly. We suggest scraping the paint contacted to the cable gland and the thread to guarantee the good electric conductivity.



HSM-EMV.SC 电磁兼容电缆防水接头 HSM-EMV.SC Cable Gland

- 材料: 外部金属为黄铜镀镍,内部芯套为尼龙,密封件材料为改性橡胶
 - 温度: -40°C~100°C,短时达到120°C
 - 防护等级: 在规定的卡口范围之内,防护等级可以达到IP68
 - 性能: 通过IEC-60077-1999抗振动和抗冲击试验,通过RoHS测试
-
- Material: Body: nickel-plated brass Seal: Polyamide, Sealing: modified rubber
 - Temperature range: Min-40°C,max100°C,short-term120°C
 - IP degree: Within the clamping range, its IP degree can reach IP68
 - Properties: Succeed in the experiment of IEC-60077-1999 resistance to vibration and impact, passed RoHS



HSM-EMV.SC-M 公制螺纹 Metric Thread

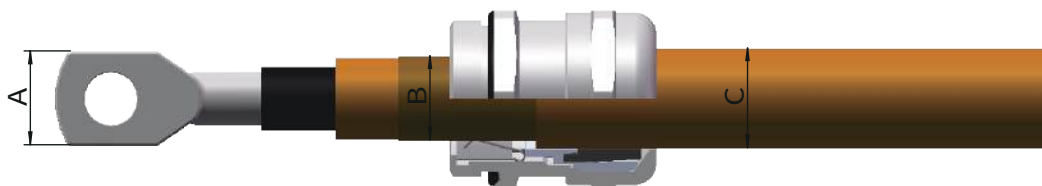
规格型号 Article No.	可通过接线端子 Accessible Terminal A mm	适用屏蔽线径 Shield Diameter B mm	适用电缆线径 Cable Diameter C mm	螺纹规格AG Thread Dimension	螺纹长度GL Thread Length mm	(H) mm	扳手尺寸 SW1/SW2 mm	包装单位 Packet
HSM-EMV.SC-M12	5	2~5	3~6.5	M12×1.5	6	20.5	14/14	75
HSM-EMV.SC1-M12	5	2~5	4~8	M12×1.5	6	22	20/19	75
HSM-EMV.SC -M16	7.5	3~7	4~8	M16×1.5	7	21	17/18	75
HSM-EMV.SC1-M16	7.5	3~8	5~10	M16×1.5	7	24	22/21	32
HSM-EMV.SC -M20	11.5	5.5~11	7~12	M20×1.5	7	25	22/22	32
HSM-EMV.SC1-M20	11.5	5.5~12	9~14	M20×1.5	7	28	26/26	18
HSM-EMV.SC -M25	15.5	8.5~15	11~16	M25×1.5	7	26.25	28/28	18
HSM-EMV.SC1-M25	15.5	8.5~16	13~18	M25×1.5	7	29	30/30	18
HSM-EMV.SC -M32	20	12.5~19	15~21	M32×1.5	8	29	36/36	18
HSM-EMV.SC1-M32	20	12.5~21	17~24	M32×1.5	8	33.5	38/38	8
HSM-EMV.SC -M40	29	18.5~28	22~30	M40×1.5	9	35.5	45/45	8
HSM-EMV.SC1-M40	29	18.5~30	22~32	M40×1.5	9	34	50/50	8
HSM-EMV.SC -M50	37	27~36	30~38	M50×1.5	9	40.5	58/55	2
HSM-EMV.SC1-M50	37	27~38	30~40	M50×1.5	9	37	58/58	2
HSM-EMV.SC -M63	47	33~42	37~44	M63×1.5	10	43.5	65/70	2
HSM-EMV.SC1-M63	47	33~48	38~53	M63×1.5	10	48	75/75	2

★ 所有规格材质可以提供不锈钢HSMS-EMV.SC系列 HSMS-EMV.SC(stainless steel version) are available for all sizes

注: 客户线缆屏蔽层最好进行工艺保护处理,常用方式有:屏蔽层外包覆铜箔、压接圆环或六角环等手段。

Note: The shielding layer of the cable shall be treated with process protection.

Methods: Coat the shielding layer with copper foil, or crimp round rings or hexagonal rings.



安装示意图

Assembly Delineation

HSM-EMV.SC 电磁兼容电缆防水接头 HSM-EMV.SC EMC Waterproof Cable Gland

- 材料: 外部金属为黄铜镀镍内部芯套为尼龙,密封件材料为改性橡胶
- 温度: -40°C~100°C,短时达到120°C
- 防护等级: 在规定的卡口范围之内,防护等级可以达到IP68
- 性能: 通过IEC-60077-1999抗振动和抗冲击试验,通过RoHS测试

- Material: Body: nickel-plated brass Inner Core: Polyamide, Sealing: modified rubber
- Temperature range: Min -40°C,max100°C,short-term120°C
- IP degree: Within the clamping range, its IP degree can reach IP68
- Properties: Succeed in the experiment of IEC-60077-1999 resistance to vibration and impact, passed RoHS



HSM-EMV.SC-P PG 螺纹 PG Thread

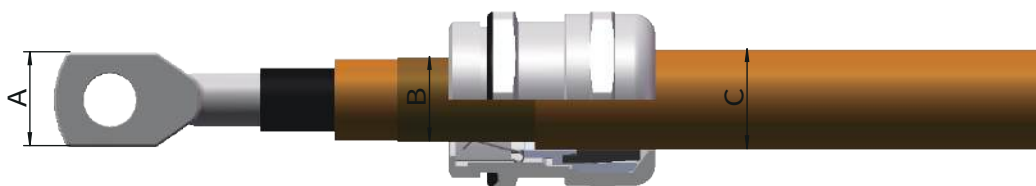
规格型号 Article No.	可通过接线端子 Accessible Terminal A mm	适用屏蔽线径 Shield Diameter B mm	适用电缆线径 Cable Diameter C mm	螺纹规格 Thread Dimension	螺纹长度GL Thread Length mm	(H) mm	扳手尺寸 SW1/SW2 mm	包装单位 Packet
HSM-EMV.SC-P07	5	2~5	3~6.5	PG07	6	20.5	14/15	75
HSM-EMV.SC1-P07	5	2~5	4~8	PG07	6	22	20/19	75
HSM-EMV.SC-P09	7.5	3~7	4~8	PG09	7	21	17/17	75
HSM-EMV.SC1-P09	7.5	3~8	5~10	PG09	7	24	22/21	32
HSM-EMV.SC-P11	7.5	3~7	4~8	PG11	7	21	17/20	75
HSM-EMV.SC1-P11	7.5	3~8	5~10	PG11	7	24	22/21	32
HSM-EMV.SC-P13.5	11.5	5.5~11	7~12	PG13.5	7	25	22/22	32
HSM-EMV.SC1-P13.5	11.5	5.5~12	9~14	PG13.5	7	28	26/26	18
HSM-EMV.SC-P16	11.5	5.5~11	7~12	PG16	7	25	22/24	32
HSM-EMV.SC1-P16	11.5	5.5~12	9~14	PG16	7	28	26/26	18
HSM-EMV.SC-P21	15.5	8.5~15	11~16	PG21	7	26.25	28/30	18
HSM-EMV.SC1-P21	15.5	8.5~16	13~18	PG21	7	29	30/30	18
HSM-EMV.SC-P29	20	12.5~19	15~21	PG29	8	29	36/40	8
HSM-EMV.SC1-P29	20	12.5~21	17~24	PG29	8	33.5	38/40	8
HSM-EMV.SC-P36	29	18.5~28	22~30	PG36	9	35.5	45/50	8
HSM-EMV.SC1-P36	29	18.5~30	22~32	PG36	9	34	50/50	8
HSM-EMV.SC-P42	37	27~36	30~38	PG42	9	40.5	58/58	2
HSM-EMV.SC1-P42	37	27~38	30~40	PG42	9	37	58/58	2
HSM-EMV.SC-P48	47	33~42	37~44	PG48	10	43.5	65/65	2
HSM-EMV.SC1-P48	47	33~48	38~53	PG48	10	48	75/75	2

★ 所有规格材质可以提供不锈钢HSMS-EMV.SC系列 HSMS-EMV.SC(stainless steel version) are available for all sizes

注: 客户线缆屏蔽层最好进行工艺保护处理,常用方式有:屏蔽层外包覆铜箔、压接圆环或六角环等手段。

Note: The shielding layer of the cable shall be treated with process protection.

Methods: Coat the shielding layer with copper foil, or crimp round rings or hexagonal rings.

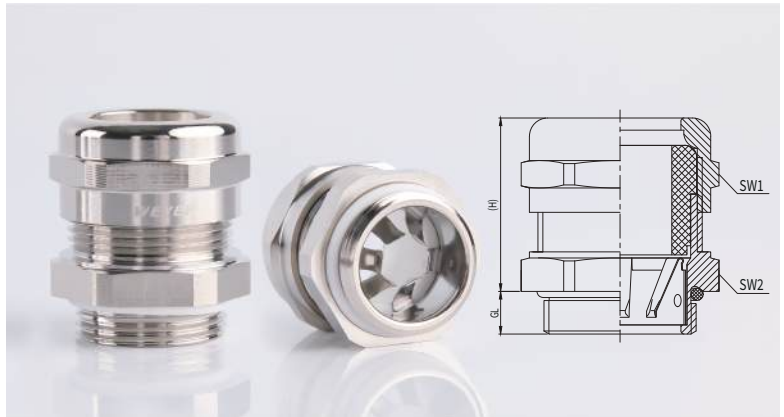


安装示意图
Assembly Delineation

HSM.DS-EMV.SC 金属屏蔽电缆防水接头 HSM-DS-EMV.SC Metal Shield Cable Gland

- 材料: 外部金属为黄铜镀镍, 密封件为阻燃硅橡胶, 屏蔽环为不锈钢
- 温度: -50°C~150°C
- 防护等级: 在规定的卡口范围之内, 防护等级可以达到IP68

- Material: The outer metal is brass nickel plating, the seal is flame retardant silicone rubber, and the shield ring is stainless steel
- Temperature: -50 °C ~ 150 °C
- IP degree: Within the clamping range, its IP degree can reach IP68

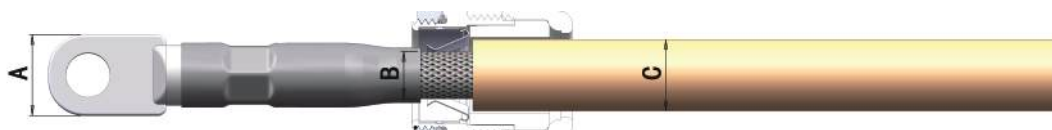


HSM.DS-EMV.SC 金属屏蔽电缆防水接头 HSM-DS-EMV.SC Metal Shield Cable Gland

规格型号 Article no.	可通过接线端子 Accessible Terminal A mm	适用屏蔽线径 Shield Diameter B mm	适用电缆线径 Cable Diameter C mm	螺纹规格F Thread Dimension	螺纹长度GL Thread Length mm	扳手尺寸 SW1/SW2 mm	安装高度(H) Units
HSM.DS-EMV.SC-M16/10-T	13	5~10	7~10	M16×1.5	7	22/22	33
* HSM.DS-EMV.SC-M16/12-T	12	6~12	8.5~12	M16×1.5	7	22/22	33
HSM.DS-EMV.SC-M20/13	14	6~12	9~13	M20×1.5	7	24/24	25.5
HSM.DS-EMV.SC-M20/13-T	13	6~12	9~13	M20×1.5	7	24/24	29
HSM.DS-EMV.SC-M20/14-T	14	6~12	11~14	M20×1.5	7	24/24	29
HSM.DS-EMV.SC-M25/14-T1	14.3	8.5~13	9~14	M25×1.5	7	26/28	27
HSM.DS-EMV.SC-M25/15-HC	16	9~16	10~15	M25×1.5	7	30/30	28.5
HSM.DS-EMV.SC-M25/17	19	9~16	14~17	M25×1.5	7	30/30	28.5
HSM.DS-EMV.SC-M25/17-T	19	9~16	14~17	M25×1.5	7	30/30	39.3
HSM.DS-EMV.SC-M25/18-HC	19	9~16	14~18	M25×1.5	7	30/30	28.5
HSM.DS-EMV.SC-M25/19-HC	19.5	9~16	16~19	M25×1.5	7	30/30	28.5
HSM.DS-EMV.SC-M25/19-T	19.5	9~16	16~19	M25×1.5	7	30/30	38
HSM.DS-EMV.SC-M32/18	19	9~16	14~18	M32×1.5	8	30/36	27.5
HSM.DS-EMV.SC-M32/18-HC	21	9~16	12~18	M32×1.5	8	36/36	29
HSM.DS-EMV.SC-M32/20	23	13~20	16~20	M32×1.5	8	36/36	29
HSM.DS-EMV.SC-M32/22	23	13~22	17~22	M32×1.5	8	36/36	29.5
HSM.DS-EMV.SC-M32/24-HC	25.3	13~22	19~24	M32×1.5	8	36/36	29.5
HSM.DS-EMV.SC-M32/25	26	13~22	21~25	M32×1.5	8	36/36	30
* HSM.DS-EMV.SC-M32/26.5	26.5	13~22	22~26.5	M32×1.5	8	42/42	30
HSM.DS-EMV.SC-M36/28-T	28.5	18.5~28	23~28	M36×2.0	8	45/45	37.5
HSM.DS-EMV.SC-M40/25	26	13~22	21~25	M40×1.5	9	40/45	29
HSM.DS-EMV.SC-M40/28	29.5	18.5~28	22~28	M40×1.5	9	45/45	28.5
* HSM.DS-EMV.SC-M40/32	32.5	18.5~28	26~32	M40×1.5	9	50/50	30.5
HSM.DS-EMV.SC-M40/33	32.5	18.5~28	27~33	M40×1.5	9	50/50	30.5

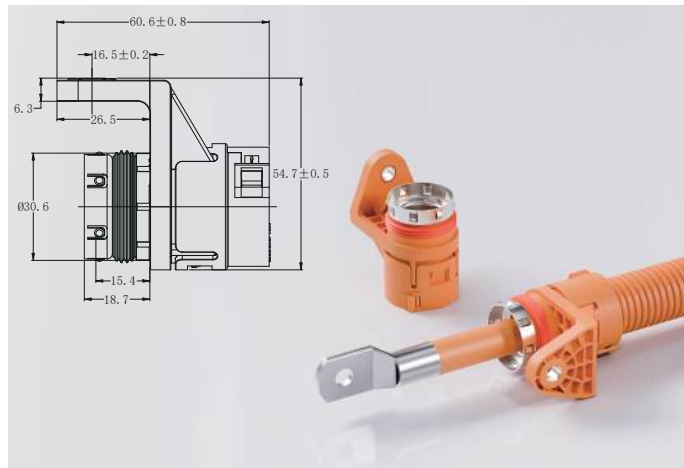
★ 所有规格材质可以提供不锈钢HSM.DS-EMV.SC系列和铝合金HSMAL.DS-EMV.SC系列
HSM.DS-EMV.SC(stainless steel version) and HSMAL.DS-EMV.SC (aluminum version) are available for all sizes
所有打*暂未开发 All article No. marked * hasn't been developed

备注: 可以根据客户需求进行产品非标定制; 屏蔽环可定制镀铜材质款(导电性更好)
Remark: Product can be customized according to customer needs; The shield ring can be customized copper plating material(better electrical conductivity)



WQC014 快插式屏蔽接头 WQC014 Quick-insert shielding connector

- 额定电压:1000V
- 耐电压:3000V AC 1min, 漏电量 $\leq 2\text{mA}$
- 绝缘电阻: $>200\text{M}\Omega$ (1000V DC), 屏蔽电阻: $<100\text{m}\Omega$
- 壳体材料:PA66+GF/PA66
- 阻燃等级:UL94 V-2
- 防护等级:IP68, 中性盐雾96H 工作温度: $-40^{\circ}\text{C}\sim 125^{\circ}\text{C}$
- 符合QC/T 1067.1中4.17规定, 振动等级:V2及V3
- 性能:可通过RoHS测试, 推荐安装扭矩:6.5-7.5N.m

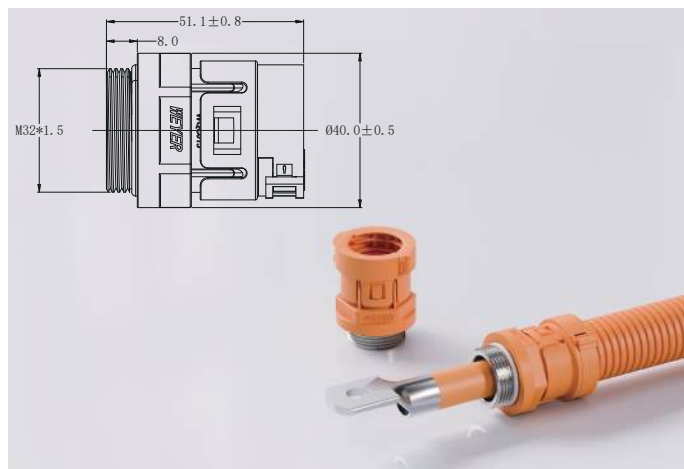


- Rated Voltage: 1000V
- Withstand voltage: 3000V AC for 1 minute, leakage current $\leq 2\text{mA}$
- Insulation resistance: $> 200\text{ M}\Omega$ (1000V DC), Shielding resistance: $< 100\text{ m}\Omega$
- Shell material: PA66 + GF / PA6
- Flame retardant grade: UL94 V-2
- IP degree: IP68, Neutral salt spray 96 hours Operating temperature: -40°C to 125°C
- Compliant with the provisions of QC/T 1067.1, item 4.17: Vibration level: V2 and V3
- Performance: It can pass the RoHS test. Recommended installation torque: 6.5 - 7.5 N.m

规格型号 Article No.	适配电缆规格 Cable Spec(mm ²)	适配电缆外径 Cable Range(mm)	适配波纹管外径 Shielding Range OD(mm)	适用端子宽度 Terminal(mm)	备注 Note
WQC014-P1-70-K1	70mm ²	18.5 \pm 0.5	外径 \varnothing 25.5	≤ 28.5	屏蔽
WQC014-P1-95-K1	95mm ²	21.5 \pm 0.5	外径 \varnothing 28.5	≤ 28.5	屏蔽
WQC014-P1-70-K0	70mm ²	18.5 \pm 0.5	/	≤ 28.5	屏蔽
WQC014-P1-95-K0	95mm ²	21.5 \pm 0.5	/	≤ 28.5	屏蔽
WQC014-P	/	/	/	/	盲塞

WQC015 快装式屏蔽接头 WQC015 Quick-install shielding connector

- 额定电压:1000V
- 耐电压:3000V AC 1min, 漏电量 $\leq 2\text{mA}$
- 绝缘电阻: $>200\text{M}\Omega$ (1000V DC), 屏蔽电阻: $<100\text{m}\Omega$
- 壳体材料:PA66+GF/PA66
- 阻燃等级:UL94 V-2
- 防护等级:IP68, 中性盐雾96H 工作温度: $-40^{\circ}\text{C}\sim 125^{\circ}\text{C}$
- 符合QC/T 1067.1中4.17规定, 振动等级:V2及V3
- 性能:可通过RoHS测试, 推荐安装扭矩:6-9N.m



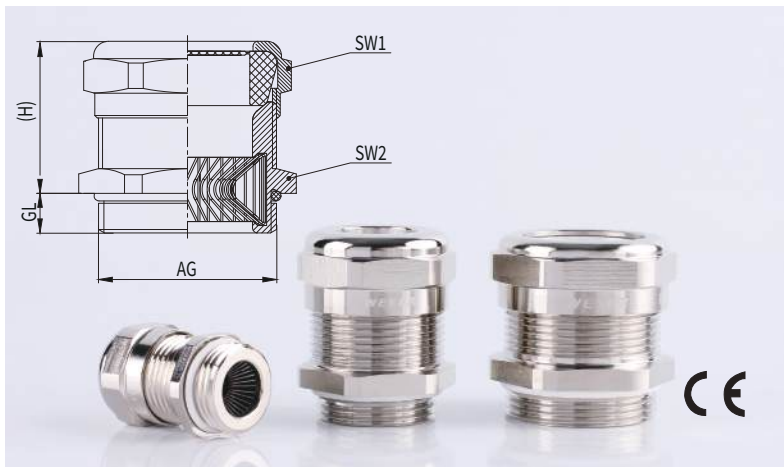
- Rated Voltage: 1000V
- Withstand voltage: 3000V AC for 1 minute, leakage current $\leq 2\text{mA}$
- Insulation resistance: $> 200\text{ M}\Omega$ (1000V DC), Shielding resistance: $< 100\text{ m}\Omega$
- Shell material: PA66 + GF / PA6
- Flame retardant grade: UL94 V-2
- IP degree: IP68, Neutral salt spray 96 hours Operating temperature: -40°C to 125°C
- Compliant with the provisions of QC/T 1067.1, item 4.17: Vibration level: V2 and V3
- Performance: It can pass the RoHS test. Recommended installation torque: 6 - 9N.m

规格型号 Article No.	适配电缆规格 Cable Spec(mm ²)	适配电缆外径 Cable Range(mm)	适配波纹管外径 Shielding Range OD(mm)	适用端子宽度 Terminal(mm)	备注 Note
WQC015-P1-70-K1	70mm ²	18.5 \pm 0.5	外径 \varnothing 25.5	≤ 25.5	屏蔽
WQC015-P1-95-K1	95mm ²	21.5 \pm 0.5	外径 \varnothing 28.5	≤ 25.5	屏蔽
WQC015-P1-70-K0	70mm ²	18.5 \pm 0.5	/	≤ 25.5	屏蔽
WQC015-P1-95-K0	95mm ²	21.5 \pm 0.5	/	≤ 25.5	屏蔽

HSM.ZX-EMV.T 金属屏蔽电缆防水接头 Metal Shielding Cable Gland

- 材料: 外部金属为黄铜镀镍, 芯体为硅橡胶, 弹簧为不锈钢
- 温度: $-50^{\circ}\text{C} \sim 150^{\circ}\text{C}$
- 防护等级: 在规定的卡口范围之内, 防护等级可以达到IP68

- Material: The outer metal is brass nickel plating, the core is silicon rubber, and the spring is stainless steel
- Temperature range: Min -50°C , max 150°C
- IP degree: Within the clamping range, its IP degree can reach IP68



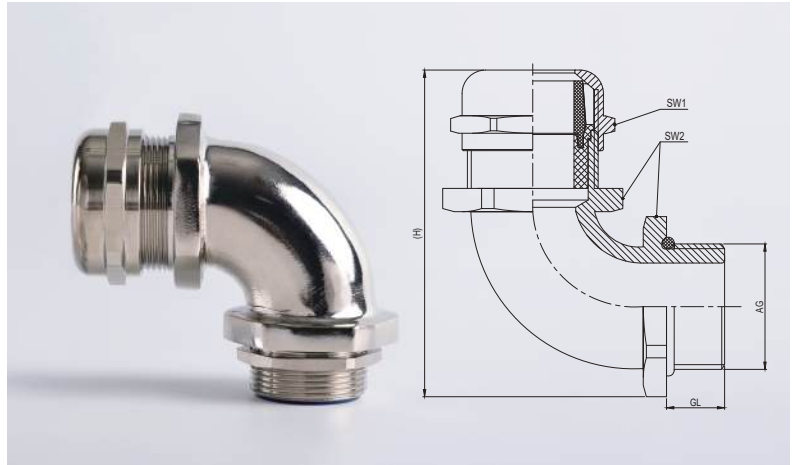
规格型号 Article no.	螺纹规格AG Thread Dimension mm	电缆使用径C Cable Diameter mm	螺纹长度GL Thread Length mm	可通过接线端子A Accessible Terminal mm	屏蔽有效线径B Effective Shielded Diameter mm	(H) mm	扳手尺寸 SW1/SW2 mm
HSM.ZX-EMV.T-M12/8(S)	M12×1.5	5~8	6	7	3.5-7	20	17/17
HSM.ZX-EMV.T-M12/8-T	M12×1.5	4~8	6	7.5	4-7	33	17/17
HSM.ZX-EMV.T-M16/8	M16×1.5	5~8	6	7	3.5-7	23	17/18
HSM.ZX-EMV.T-M16/9.5-T	M16×1.5	4~9.5	7	9.5	6.5~9	36	22/22
HSM.ZX-EMV.T-M18/10	M18×1.5	7~10	7	10.2	6~10	27	20/20
HSM.ZX-EMV.T-M22/13	M22×1.5	10~13	7	12	8~12	26.5	24/24
HSM.ZX-EMV.T-M20/12	M20×1.5	7~12	7	12	7.5~11	27	24/24
HSM.ZX-EMV.T-M20/13	M20×1.5	10~13	7	12	8~12	27	24/24
HSM.ZX-EMV.T-M20/15-T	M20×1.5	12~14	7	14	11~14	35	24/24
HSM.ZX-EMV.T-M25/16	M25×1.5	11~16	7	15.5	8~15	32	30/30
HSM.ZX-EMV.T-M25/17-T	M25×1.5	13~17	7	16.5	10.5~16	36.5	30/30
HSM.ZX-EMV.T-M25/19-T	M25×1.5	12~19	7	18.5	12~18	39	32/32
HSM.ZX-EMV.T-M25/22-T	M25×1.5	18~22	8	21	13.5~21	36	36/36
HSM.ZX-EMV.T-M25/20-T	M25×1.5	16~20	7	19	12~19	34.5	30/30
HSM.ZX-EMV.T-M27/17-T	M27×2.0	14~17	8	18	11~16	36.5	30/30
HSM.ZX-EMV.T-M30/21	M30×2.0	14~21	8	20.5	12.5~20	30	36/36
HSM.ZX-EMV.T-M32/19	M32×1.5	14~19	8	21	13.5~18	31	32/36
HSM.ZX-EMV.T-M32/20-T	M32×1.5	16~20	8	19	12~19	33.5	30/36
HSM.ZX-EMV.T-M32/21-T	M32×1.5	17~21	8	22	14.5~20	38	36/36
HSM.ZX-EMV.T-M32/23	M32×1.5	18~23	8	22	15.2~22	27.5	36/36
HSM.ZX-EMV.T-M32/23-T	M32×1.5	18~23	8	22.8	14.8~22	36	36/36
HSM.ZX-EMV.T-M32/25-T	M32×1.5	19~25	8	25	18~24	39	38/38
HSM.ZX-EMV.T-M33/21	M33×2.0	17~21	8	21	14~20	28.5	36/36
HSM.ZX-EMV.T-M36/25-HC	M36×2.0	21~25	8	25.8	18.2~24	30	40/40
HSM.ZX-EMV.T-M40/28	M40×1.5	20~28	9	27.5	20~27	41	45/45
HSM.ZX-EMV.T-P16/14	PG16	10~14	7	13	8.5~12	27	24/24
HSM.ZX-EMV.T-P21/19-T	PG21	14~19	7	18.5	13~18.5	40	32/32
HSM.ZX-EMV.T-P21/20	PG21	16~20	7	18	11~19	30	30/30
HSM.ZX-EMV.T-P21/20-T	PG21	16~21	7	21	11.5~21	38	32/32

★ 所有规格材质可以提供不锈钢HSM.S.ZX-EMV.T系列和铝合金HSM.AL.ZX-EMV.T系列
HSM.S.ZX-EMV.T(stainless steel version) and HSM.AL.ZX-EMV.T (aluminum version) are available for all sizes

HSMW 直角金属电缆防水接头 90°Elbow Metal Waterproof Cable Gland

- 温度: -40°C-100°C, 短时可达到120°C
- 防护等级: 在规定的卡口范围内, 防护等级可达到IP68
- 直角金属电缆防水接头, 一端成90°, 连接箱体, 电机等设备, 可定制可定位款HSMW1

- Temperature range: -40°C-100°C, short-term 120°C
- IP degree: Within the clamping range, its IP degree can reach IP68
- Bend metal waterproof cable gland. 90° bent, connecting to cabinet, motor and other equipment. HSMW1 (nickel-plated brass version) is available for all sizes



HSMW-M 接头公制螺纹 Metric Thread

规格型号 Article No.	螺纹规格 Thread Dimension	卡口范围 Clamping Range mm	螺纹外径 AG mm	螺纹长度 GL mm	(H) mm	扳手尺寸 SW1/SW2 mm	包装单位 Packet
HSMW-M12	M12×1.5	4~6.5	12	9	45	20/21	25
* HSMW-M16-H	M16×1.5	3~6.5	16	9	45	20/21	25
HSMW-M16	M16×1.5	4~8	16	9	45	20/21	25
HSMW-M16-D	M16×1.5	5~10	16	10	57	20/25	20
* HSMW-M18	M18×1.5	5~10	18	10	57	20/25	20
* HSMW-M20-H	M20×1.5	5~10	20	10	57	20/25	20
HSMW-M20	M20×1.5	6~12	20	10	57	22/24.5	20
HSMW-M20-D	M20×1.5	8~14	20	10	58	24/30	20
* HSMW-M22	M22×1.5	8~14	22	15	58	24/30	20
* HSMW-M24-H	M24×1.5	6~12	24	15	58	24/30	20
* HSMW-M24	M24×1.5	8~14	24	15	58	24/30	20
* HSMW-M25-H	M25×1.5	8~14	25	15	58	24/30	20
HSMW-M25	M25×1.5	10~16	25	10	66.5	27/31	10
HSMW-M25-D	M25×1.5	13~18	25	15	75	30/34	10
* HSMW-M27-H	M27×2.0	10~16	27	15	75	28/34	10
* HSMW-M27	M27×2.0	13~18	27	15	75	30/34	10
* HSMW-M30-H	M30×2.0	10~16	30	15	75	28/34	10
* HSMW-M30	M30×2.0	13~18	30	15	75	30/34	10
* HSMW-M32-H	M32×1.5	13~18	32	15	75	30/34	10
* HSMW-M32-D	M32×1.5	18~25	32	15	90	40/43	5
* HSMW-M33	M33×2.0	18~25	33	15	90	40/43	5
* HSMW-M36-H	M36×2.0	15~22	36	15	90	36/43	5
* HSMW-M36	M36×2.0	18~25	36	15	90	40/43	5
* HSMW-M40-H	M40×1.5	18~25	40	15	90	40/43	5
HSMW-M40	M40×1.5	22~30	40	15	105	50/55	2
HSMW-M40-D	M40×1.5	22~32	40	15	89	50/55	2
* HSMW-M42	M42×2.0	22~32	42	15	115	50/55	2
* HSMW-M48	M48×2.0	22~32	48	15	115	50/55	2
* HSMW-M50	M50×1.5	30~38	50	15	115	55/60	2
* HSMW-M56	M56×2.0	30~38	56	15	115	55/60	2
* HSMW-M60	M60×2.0	37~44	60	18	125	65/70	2
* HSMW-M63	M63×1.5	37~44	63	18	125	75/75	2
* HSMW-M64	M64×2.0	37~44	64	18	125	65/70	2

所有打*暂未开发 All article No. marked * hasn't been developed

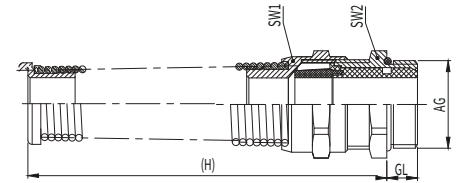
★ 所有规格材质可以提供不锈钢HSMW系列

HSM-F系列-防折断金属电缆防水接头 HSM-F Series Anti-breaking Metal Cable Gland

- 材料: 外部金属黄铜镀镍 密封件材料为改性橡胶
- 防护等级: 在规定的卡口范围内, 防护等级可以达到IP68
- 温度: -40°C~100°C, 短时达到120°C

- Material: Body: nickel-plated brass Sealing: modified rubber
- Protection degree: Within the clamping range, its protection degree can reach IP68
- Temperature range: Min -40°C, max 100°C, short-term 120°C

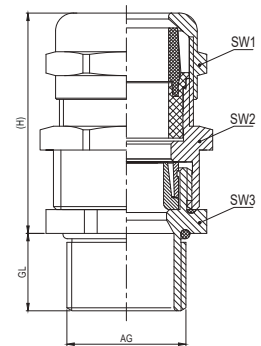
规格型号 Article No.	螺纹规格 Thread Dimension	卡口范围 Clamping Range mm	螺纹外径 AG mm	螺纹长度 GL mm	(H) mm	扳手尺寸 SW1/SW2 mm	包装单位 Packet
* HSM-F-M12	M12×1.5	3~6.5	12	6	54	14/14	50
* HSM-F-M16	M16×1.5	4~8	16	7	64	17/18	50
HSM-F-M18	M18×1.5	5~10	18	7	74.5	20/20	50
HSM-F-M20	M20×1.5	6~12	20	7	84	22/22	25
* HSM-F-M22	M22×1.5	8~14	22	7	94	24/24	25
HSM-F-M25	M25×1.5	10~16	25	7	102	28/28	25
HSM-F-M30	M30×1.5	13~18	30	8	114	30/34	10
HSM-F-M32	M32×1.5	15~22	32	8	125	36/36	10



HSM-KZ 金属铠装电缆接头 Metal Armored Cable Gland

- 材料: 外部金属为黄铜镀镍内部芯套为尼龙, 密封件材料为改性橡胶
- 温度: -40°C~100°C, 短时达120°C
- 防护等级: 在规定的卡口范围之内, 防护等级可以达到IP68
- 性能: 通过IEC-60077-1999抗振动和抗冲击试验, 通过RoHS测试

- Material: Body: nickel-plated brass Inner core: Polyamide, Sealing: modified rubber
- Temperature range: Min -40°C, Max 100°C, Short-term 120°C
- IP degree: Within the clamping range, its IP degree can reach IP68
- Properties: Passed IEC-60077-1999 anti vibration and anti impact test, passed RoHS



★ 所有规格材质可以提供不锈钢HSM-KZ系列
HSM-KZ (stainless steel version) are available for all sizes

HSM-KZ-M 公制螺纹 Metric Metric

规格型号 Article No.	螺纹规格 Thread Dimension	卡口范围 Clamping Range mm	螺纹外径 AG mm	螺纹长度 GL mm	(H) mm	SW1/SW2/SW3 mm	包装单位 Packet
HSM-KZ-M16-H	M16×1.5	3~6.5	16	7	31	14/19/18	16
HSM-KZ-M16	M16×1.5	4~8	16	7	32	18/21/21	16
HSM-KZ-M16-DL	M16×1.5	5~10	16	10	36	20/21/21	16
HSM-KZ-M20-L	M20×1.5	6~12	20	10	37	23/23/23	16
HSM-KZ-M20-DL	M20×1.5	8~14	20	10	37	24/26/24	16
HSM-KZ-M20-TDL	M20×1.5	10~16	20	10	38	28/28/28	9
HSM-KZ-M25-L	M25×1.5	10~16	25	12	38	28/28/28	9
HSM-KZ-M25-DL	M25×1.5	13~18	25	12	44.5	30/30/30	9
HSM-KZ-M25-TDL	M25×1.5	15~22	25	12	43.5	36/36/36	18
HSM-KZ-M32-L	M32×1.5	15~22	32	12	43.5	36/36/36	9
HSM-KZ-M32-DL	M32×1.5	18~25	32	12	47	40/40/40	4
HSM-KZ-M40-L	M40×1.5	22~30	40	15	51	45/45/45	4
HSM-KZ-M50-L	M50×1.5	30~38	50	15	58	50/58/58	2
HSM-KZ-M50-DL	M50×1.5	37~44	50	15	59	65/65/60	2
HSM-KZ-M63-L	M63×1.5	37~44	63	15	59	65/65/60	1
HSM-KZ-M63-DL	M63×1.5	42~53	63	15	65	75/75/70	1
HSM-KZ-M72-H-15	M72×2.0	52~57	72	15	65	75/80/75	1
HSM-KZ-M72-15	M72×2.0	55~61	72	15	65	86/90/86	1

注: PG制、G制、NPT制以及其它非标品也可以进行开发, 特殊屏蔽层可按需定制铠装环

Note: PG, G, NPT, and other non-standard products can also be developed, and special shield layers can be customized as needed
所有打*暂未开发 All article No. marked * hasn't been developed

HSK-EX 防爆尼龙电缆防水接头 EX Plastic Cable Gland

- 材料: 尼龙 密封件材料:改性橡胶
- 颜色: 灰白色(RAL 7035),黑色(RAL9005)
- 温度: -40°C~100°C.
- 防护等级: 在规定的卡口范围内,并使用合适的O形密封圈,防护等级可以达到IP68
- 阻燃等级: V2(UL94),不含卤素、磷、镉,通过RoHS测试,耐UV,通过抗老化测试
- 防爆等级: Ex eb IIC Gb Ex tb IIIC Db
- 防爆证书号: TUV 17ATEX 8015X IECEx TUR 17.0009X

- Material: Polyamide, Sealing:modified rubber
- Color: Grey white (RAL 7035), black (RAL 9005)
- Temperature range: Min -40°C,max 100°C,
- IP degree: Using suitable O-ring within the clamping range,its IP degree can reach IP68
- Properties: V2(UL94), free of halogen, phosphor and cadmium, passed RoHS UV-resistance,passed anti-aging test
- EX degree: Ex eb IIC Gb Ex tb IIIC Db
- Certificate No.:TUV 17ATEX 8015X IECEx TUR 17.0009X



HSK-EX-M 公制螺纹 Metric Thread

规格型号 Article No.	螺纹规格 Thread Dimension	卡口范围 Clamping Range mm	螺纹外径 AG mm	螺纹长度 GL mm	(H) mm	扳手尺寸 SW1/SW2 mm	包装单位 Packet	选型说明 Selection Explanation
HSK-EX-M12 #	M12×1.5	3~6.5	12	8	20	15	100	
HSK-EX-M16 #-H	M16×1.5	2.5~6	16	8	22	19	100	HSK-EX-M12#-OR 规格型号-OR 表示配O型密封圈
HSK-EX-M16 #	M16×1.5	4~8	16	8	22	19	100	
HSK-EX-M16 #-D	M16×1.5	5~10	16	8	25	22	100	
HSK-EX-M18 #	M18×1.5	5~10	18	8	25	22	100	HSK-EX-M12#-FR 规格型号-FR 表示配扁平密封圈
HSK-EX-M20 #-H	M20×1.5	5~9	20	9	26.5	24	100	
HSK-EX-M20 #	M20×1.5	6~12	20	9	26.5	24	100	
HSK-EX-M20 #-D	M20×1.5	8~14	20	10	28	27	50	
HSK-EX-M22 #-H	M22×1.5	7~12	22	10	28	27	50	HSK-EX-M12#-X 规格型号-X 表示配O型密封圈和T型密封体
HSK-EX-M22 #	M22×1.5	8~14	22	10	28	27	50	
HSK-EX-M24 #-H	M24×1.5	7~12	24	10	28	27	50	
HSK-EX-M24 #	M24×1.5	8~14	24	10	28	27	50	HSK-EX-M12#-X-FR 规格型号-X-FR 表示配扁平密封圈和T型密封体
HSK-EX-M25 #-H	M25×1.5	11~16	25	11	31.5	33	50	
HSK-EX-M25 #	M25×1.5	13~18	25	11	31.5	33	50	
HSK-EX-M27 #-H	M27×2.0	11~16	27	11	31.5	33	50	
HSK-EX-M27 #	M27×2.0	13~18	27	11	31.5	33	50	HSK-EX-M12#-P 规格型号-P 表示配O型密封圈和尼龙螺母
HSK-EX-M30 #-H	M30×2.0	11~16	30	11	31.5	33	50	
HSK-EX-M30 #	M30×2.0	13~18	30	11	31.5	33	50	
HSK-EX-M32 #-H	M32×1.5	14~21	32	11	39	42	25	
HSK-EX-M32 #	M32×1.5	18~25	32	11	39	42	25	HSK-EX-M12#-P-FR 规格型号-P-FR 表示配扁平密封圈和尼龙螺母
HSK-EX-M33 #	M33×2.0	18-25	33	11	39	42	25	
HSK-EX-M36 #-H	M36×2.0	14~21	36	11	39	42	25	
HSK-EX-M36 #	M36×2.0	18~25	36	11	39	42	25	HSK-EX-M12#-XP 规格型号-XP 表示配O型密封圈、尼龙螺母和T型密封体
HSK-EX-M40 #	M40×1.5	22~32	40	13	48.5	53	10	
HSK-EX-M42 #	M42×2.0	22-32	42	13	46.5	53	10	
HSK-EX-M48 #	M48×2.0	22~32	48	13	48.5	53	10	
HSK-EX-M50 #	M50×1.5	30~38	50	15	47.3	60	10	
HSK-EX-M56 #	M56×2.0	30-38	56	15	47.3	60	10	HSK-EX-M12#-XP-FR 规格型号-XP-FR 表示配扁平密封圈、尼龙螺母和T型密封体
HSK-EX-M60 #	M60×2.0	37-44	60	15	47	68	5	
HSK-EX-M63 #	M63×1.5	37~44	63	15	47	68	5	
HSK-EX-M64 #	M64×2.0	37-44	64	15	47	68	5	

★ 订货编号: #=B(黑色), G(灰白色) Order number: #=B(Black), G(Grey white)

HSK-EX 防爆尼龙电缆防水接头 Explosion-proof Nylon Waterproof Cable Gland

- 材料: 尼龙 密封件材料:改性橡胶
- 颜色: 灰白色(RAL 7035), 黑色(RAL 9005)
- 温度: -40°C~100°C.
- 防护等级: 在规定的卡口范围内, 并使用合适的O形密封圈, 防护等级可以达到IP68
- 阻燃等级: V2(UL94), 不含卤素、磷、镉, 通过RoHS测试, 耐UV, 通过抗老化测试
- 防爆等级: Ex eb IIC Gb Ex tb IIIC Db
- 防爆证书号: TUV 17ATEX 8015X IECEx TUR 17.0009X

- Material: Polyamide, Sealing: modified rubber
- Color: Grey white (RAL 7035), black (RAL 9005)
- Temperature Range: Min -40°C, max 100°C,
- IP degree: Using suitable O-ring within the clamping range, its IP degree can reach IP68
- Flame retardant grade: V2(UL94), no halogen, phosphorus, cadmium, passed RoHS test, UV resistance, passed anti-aging test.
- EX degree: Ex eb IIC Gb Ex tb IIIC Db
- Certificate No.: TUV 17ATEX 8015X IECEx TUR 17.0009X



HSK-EX-M-L 加长型公制螺纹 Lengthened Metric Thread

规格型号 Article No.	螺纹规格 Thread Dimension	卡口范围 Clamping Range mm	螺纹外径 AG mm	螺纹长度 GL mm	(H) mm	扳手尺寸 SW1/SW2 mm	包装单位 Packet	选型说明 Selection Explanation
HSK-EX-M12 #-L	M12×1.5	3~6.5	12	15	20	15	100	HSK-EX-M12#-L-OR 规格型号-L-OR 表示配O型密封圈 HSK-EX-N 3/8#-H 此型号已配O型密封圈 N制螺纹规格型号标配O型密封圈 HSK-EX-M12#-L-FR 规格型号-L-FR 表示配扁平密封圈 HSK-EX-M12#-L-X 规格型号-L-X 表示配O型密封圈和T型密封体 HSK-EX-M12#-L-X-FR 规格型号-L-X-FR 表示配扁平密封圈和T型密封体 HSK-EX-M12#-L-P 规格型号-L-P 表示配O型密封圈和尼龙螺母 HSK-EX-M12#-L-P-FR 规格型号-L-P-FR 表示配扁平密封圈和尼龙螺母 HSK-EX-M12#-L-XP 规格型号-L-XP 表示配O型密封圈、尼龙螺母 和T型密封体 HSK-EX-M12#-L-XP-FR 规格型号-L-XP-FR 表示配扁平密封圈、尼龙螺母 和T型密封体
HSK-EX-M16 #-HL	M16×1.5	2.5~6	16	15	22	19	100	
HSK-EX-M16 #-L	M16×1.5	4~8	16	15	22	19	100	
HSK-EX-M16 #-DL	M16×1.5	5~10	16	15	25	22	100	
HSK-EX-M18 #-L	M18×1.5	5~10	18	15	25	22	100	
HSK-EX-M20 #-HL	M20×1.5	5~9	20	15	26.5	24	100	
HSK-EX-M20 #-L	M20×1.5	6~12	20	15	26.5	24	100	
HSK-EX-M20 #-DL	M20×1.5	8~14	20	15	28	27	50	
HSK-EX-M22 #-HL	M20×1.5	7~12	22	15	28	27	50	
HSK-EX-M22 #-L	M22×1.5	8~14	22	15	28	27	50	
HSK-EX-M24 #-HL	M24×1.5	7~12	24	15	28	27	50	
HSK-EX-M24 #-L	M24×1.5	8~14	24	15	27	27	50	
HSK-EX-M25 #-HL	M25×1.5	11~16	25	15	33	33	50	
HSK-EX-M25 #-L	M25×1.5	13~18	25	15	33	33	50	
HSK-EX-M32 #-HL	M32×1.5	14~21	32	15	42	42	25	
HSK-EX-M32 #-L	M32×1.5	18~25	32	15	42	42	25	

HSK-EX-N 60° NPT 制锥形螺纹 NPT Thread/HSK-EX-G55° 管螺纹 G Thread

规格型号 Article No.	螺纹规格 Thread Dimension	卡口范围 Clamping Range mm	螺纹外径 AG mm	螺纹长度 GL mm	(H) mm	扳手尺寸 SW1/SW2 mm	包装单位 Packet	选型说明 Selection Explanation
HSK-EX-N 3/8 #-H	NPT3/8"	2~6	16.65	11	25	20	100	HSK-EX-M12#-L-P 规格型号-L-P 表示配O型密封圈和尼龙螺母 HSK-EX-M12#-L-P-FR 规格型号-L-P-FR 表示配扁平密封圈和尼龙螺母 HSK-EX-M12#-L-XP 规格型号-L-XP 表示配O型密封圈、尼龙螺母 和T型密封体 HSK-EX-M12#-L-XP-FR 规格型号-L-XP-FR 表示配扁平密封圈、尼龙螺母 和T型密封体
HSK-EX-N 3/8 #	NPT3/8"	4~8	16.65	11	25	24	100	
HSK-EX-N 1/2 #-H	NPT1/2"	5~9	20.85	13	26.5	24	100	
HSK-EX-N 1/2 #	NPT1/2"	6~12	20.85	13	26.5	24	100	
HSK-EX-N 3/4 #-H	NPT3/4"	11~16	26.3	13	31.5	30	50	
HSK-EX-N 3/4 #	NPT3/4"	13~18	26.3	13	31.5	30	50	
HSK-EX-N 1 #-H	NPT1"	14~21	33.15	16	39	40	25	
HSK-EX-N 1 #	NPT1"	18~25	33.15	16	39	40	25	
HSK-EX-G 1/2 #-H	G1/2"	5~9	20.99	9	26.5	24	100	
HSK-EX-G 1/2 #	G1/2"	6~12	20.99	9	26.5	24	100	
HSK-EX-G 3/4 #	G 3/4"	13~18	26.44	11	31.5	33	50	
HSK-EX-G 1 #	G 1"	18~25	33.24	11	39	42	25	
HSK-EX-G 1 1/2 #	G 1 1/2"	22~32	47.8	13	48.5	53	10	
HSK-EX-G 2 #	G 2"	37~44	59.61	15	47	65	5	

★ 订货编号: #=B(黑色), G(灰白色) Order number: #=B(Black), G(Grey white)

HSK-EX 防爆尼龙电缆防水接头 Explosion-proof Nylon Waterproof Cable Gland

- 材料: 尼龙 密封件材料:改性橡胶
- 颜色: 灰白色(RAL 7035), 黑色(RAL 9005)
- 温度:- 40°C~100°C.
- 防护等级: 在规定的卡口范围内, 并使用合适的O形密封圈,
- 防护等级可以达到IP68
- 阻燃等级: V2(UL94), 不含卤素、磷、镉, 通过RoHS测试, 耐UV, 通过抗老化测试
- 防爆等级: Ex eb IIC Gb Ex tb IIIC Db
- 防爆证书号: TUV 17ATEX 8015X IECEx TUR 17.0009X

- Material: Polyamide, Sealing: modified rubber
- Color: Grey white (RAL 7035), Black (RAL 9005)
- Temperature range: Min -40°C, max 100°C.
- IP degree: Using suitable O-ring within the clamping range, its IP degree can reach IP68
- Properties: V2(UL94), free of halogen, phosphor and cadmium, passed RoHS UV-resistance, passed anti-aging test.
- EX degree: Ex eb IIC Gb Ex tb IIIC Db
- Certificate No.: TUV 17ATEX 8015X IECEx TUR 17.0009X



HSK-EX-P/HSK-EX-P-L 加长型 PG 螺纹 Lengthened PG Thread

规格型号 Article No.	螺纹规格 Thread Dimension	卡口范围 Clamping range mm	螺纹外径 AG mm	螺纹长度 GL mm	(H) mm	扳手尺寸 SW1/SW2 mm	包装单位 Packet	选型说明 Selection Explanation
HSK-EX-P07 #	PG7	3~6.5	12.5	8	20	15	100	HSK-EX-P07#-OR 规格型号-OR 表示配O型密封圈
HSK-EX-P09 #-H	PG9	2.5~6	15.2	8	22	19	100	HSK-EX-P07#-FR 规格型号-FR 表示配扁平密封圈
HSK-EX-P09 #	PG9	4~8	15.2	8	22	19	100	
HSK-EX-P11 #	PG11	5~10	18.6	8	25	22	100	HSK-EX-P07#-X 规格型号-X 表示配O型密封圈和T型密封体
HSK-EX-P13.5 #-H	PG13.5	5~9	20.4	9	26.5	24	100	
HSK-EX-P13.5 #	PG13.5	6~12	20.4	9	26.5	24	100	HSK-EX-P07#-X-FR 规格型号-X-FR 表示配扁平密封圈和T型密封体
HSK-EX-P16 #-H	PG16	7~12	22.5	10	28	27	50	
HSK-EX-P16 #	PG16	8~14	22.5	10	28	27	50	HSK-EX-P07#-P 规格型号-P 表示配O型密封圈和尼龙螺母
HSK-EX-P21 #-H	PG21	11~16	28.3	11	31.5	33	50	
HSK-EX-P21 #	PG21	13~18	28.3	11	31.5	33	50	HSK-EX-P07#-P-FR 规格型号-P-FR 表示配扁平密封圈和尼龙螺母
HSK-EX-P29 #-H	PG29	14~21	37	11	39	42	25	
HSK-EX-P29 #	PG29	18~25	37	11	39	42	25	HSK-EX-P07#-XP 规格型号-XP 表示配O型密封圈、尼龙螺母和T型密封体
HSK-EX-P36 #	PG36	22~32	47	13	48.5	53	10	
HSK-EX-P42 #	PG42	30~38	54	15	47.3	60	10	HSK-EX-P07#-XP-FR 规格型号-XP-FR 表示配扁平密封圈、尼龙螺母和T型密封体
HSK-EX-P48 #	PG48	37~44	59.3	15	47	65	5	
HSK-EX-P07 #-L	PG7	3~6.5	12.5	15	20	15	100	HSK-EX-P07#-XP-FR 规格型号-XP-FR 表示配扁平密封圈、尼龙螺母和T型密封体
HSK-EX-P09 #-HL	PG9	2.5~6	15.2	15	22	19	100	
HSK-EX-P09 #-L	PG9	4~8	15.2	15	22	19	100	HSK-EX-P07#-XP-FR 规格型号-XP-FR 表示配扁平密封圈、尼龙螺母和T型密封体
HSK-EX-P11 #-L	PG11	5~10	18.6	15	25	22	100	
HSK-EX-P13.5 #-HL	PG13.5	5~9	20.4	15	26.5	24	100	HSK-EX-P07#-XP-FR 规格型号-XP-FR 表示配扁平密封圈、尼龙螺母和T型密封体
HSK-EX-P13.5 #-L	PG13.5	6~12	20.4	15	26.5	24	100	
HSK-EX-P16 #-HL	PG16	7~12	22.5	15	28	27	50	HSK-EX-P07#-XP-FR 规格型号-XP-FR 表示配扁平密封圈、尼龙螺母和T型密封体
HSK-EX-P16 #-L	PG16	8~14	22.5	15	28	27	50	
HSK-EX-P21 #-HL	PG21	11~16	28.3	15	31.5	33	50	HSK-EX-P07#-XP-FR 规格型号-XP-FR 表示配扁平密封圈、尼龙螺母和T型密封体
HSK-EX-P21 #-L	PG21	13~18	28.3	15	31.5	33	50	
HSK-EX-P29 #-HL	PG29	14~21	37	15	39	42	25	HSK-EX-P07#-XP-FR 规格型号-XP-FR 表示配扁平密封圈、尼龙螺母和T型密封体
HSK-EX-P29 #-L	PG29	18~25	37	15	39	42	25	

★ 订货编号: #=B(黑色), G(灰白色) Order number: #=B(Black), G(Grey white)

HSM-EX 防爆金属电缆防水接头 Explosion-proof Metal Waterproof Cable Gland

- 材料: 外部金属为黄铜镀镍 内部芯套为尼龙 密封件材料为改性橡胶
- 温度: -40°C~100°C,短时达120°C
- 防护等级: 在规定的卡口范围内,防护等级可以达到IP68
- 防爆等级: Ex eb IIC Gb Ex tb IIIC Db
- 防爆证书号: TUV 17ATEX 8015X IECEx TUR 17.0009X
- 性能: 通过IEC-60077-1999抗振动和抗冲击试验,通过RoHS测试

- Material: Body: nickel-plated brass
Inner core: Polyamide, Sealing: modified rubber
- Temperature range: Min -40°C, max 100°C, short-term 120°C
- IP degree: Within the clamping range, its IP degree can reach IP68
- EX degree: Ex eb IIC Gb Ex tb IIIC Db
- Certificate No.: TUV 17ATEX 8015X IECEx TUR 17.0009X
- Properties: Passed IEC-60077-1999 anti vibration and anti impact test, passed RoHS



HSM-EX-M 公制螺纹 Metric Thread

规格型号 Article No.	螺纹规格 Thread Dimension	卡口范围 Clamping Range mm	螺纹外径 AG mm	螺纹长度 GL mm	(H) mm	扳手尺寸 SW1/SW2 mm	包装单位 Packet
HSM-EX-M12	M12×1.5	3~6.5	12	6	19	14/14	75
HSM-EX-M16-H	M16×1.5	3~6.5	16	7	20	14/18	75
HSM-EX-M16	M16×1.5	4~8	16	7	21	17/18	75
HSM-EX-M16-D	M16×1.5	5~10	16	7	22.5	20/20	50
HSM-EX-M18	M18×1.5	5~10	18	7	22.5	20/20	50
HSM-EX-M20-H	M20×1.5	5~10	20	7	22.5	20/22	32
HSM-EX-M20	M20×1.5	6~12	20	7	23.5	22/22	32
HSM-EX-M20-D	M20×1.5	8~14	20	7	23	24/24	32
HSM-EX-M22	M22×1.5	8~14	22	7	23	24/24	32
* HSM-EX-M24-H	M24×1.5	6~12	24	7	23.5	22/28	18
HSM-EX-M24	M24×1.5	8~14	24	7	23	24/27	18
HSM-EX-M25-H	M25×1.5	8~14	25	7	23	24/28	18
HSM-EX-M25	M25×1.5	10~16	25	7	24.5	28/28	18
HSM-EX-M25-D	M25×1.5	13~18	25	7	26	30/30	18
HSM-EX-M27-H	M27×2.0	10~16	27	8	24.5	28/30	18
HSM-EX-M27	M27×2.0	13~18	27	8	26	30/30	18
HSM-EX-M30-H	M30×2.0	10~16	30	8	24.5	28/34	18
HSM-EX-M30	M30×2.0	13~18	30	8	26	30/34	18
HSM-EX-M32-H	M32×1.5	13~18	32	8	26	30/36	18
HSM-EX-M32	M32×1.5	15~22	32	8	28	36/36	18
HSM-EX-M32-D	M32×1.5	18~25	32	8	33	40/38	8
HSM-EX-M33	M33×2.0	18~25	33	8	33	40/38	8
* HSM-EX-M36-H	M36×2.0	15~22	36	8	28	36/40	8
HSM-EX-M36	M36×2.0	18~25	36	8	33	40/40	8
* HSM-EX-M40-H	M40×1.5	18~25	40	9	33.5	40/45	8
HSM-EX-M40	M40×1.5	22~30	40	9	35.5	45/45	8
HSM-EX-M40-D	M40×1.5	22~32	40	9	38.5	50/50	4
HSM-EX-M42	M42×2.0	22~32	42	9	38.5	50/50	4
HSM-EX-M48	M48×2.0	22~32	48	9	38.5	50/52	4
HSM-EX-M50	M50×1.5	30~38	50	9	40	58/55	4
HSM-EX-M56	M56×2.0	30~38	56	9	40	58/60	2
HSM-EX-M60	M60×2.0	37~44	60	10	41	65/65	2
HSM-EX-M63	M63×1.5	37~44	63	10	41	65/70	2
HSM-EX-M63-D	M63×1.5	42~53	63	10	44.5	75/75	2
HSM-EX-M64	M64×2.0	37~44	64	10	41	65/70	2

★ 所有规格材质可以提供不锈钢HSMS-EX系列 HSMS-EX (stainless steel version) are available for all sizes
所有打*暂未开发 All article No. marked * hasn't been developed

HSM-EX 防爆金属电缆防水接头 Explosion-proof Metal Waterproof Cable Gland

- 材料: 外部金属为黄铜镀镍 内部芯套为尼龙 密封件材料为改性橡胶
- 温度: -40°C~100°C,短时达120°C
- 防护等级: 在规定的卡口范围内,防护等级可以达到IP68
- 防爆等级: Ex eb IIC Gb Ex tb IIIC Db
- 防爆证书号: TUV 17ATEX 8015X IECEx TUR 17.0009X
- 性能: 通过IEC-60077-1999抗振动和抗冲击试验,通过RoHS测试

- Material: Body: nickel-plated brass
Inner core: Polyamide, Sealing: modified rubber
- Temperature range: Min-40°C,max100°C,short-term120°C
- IP degree: Within the clamping range,its IP degree can reach IP68
- EX degree: Ex eb IIC Gb Ex tb IIIC Db
- Certificate No.:TUV 17ATEX 8015X IECEx TUR 17.0009X
- Properties: Passed IEC-60077-1999 anti vibration and anti impact test, passed RoHS



HSM-EX-M-L 加长型公制螺纹 Lengthened Metric Thread

规格型号 Article No.	螺纹规格 Thread Dimension	卡口范围 Clamping Range mm	螺纹外径 AG mm	螺纹长度 GL mm	(H) mm	扳手尺寸 SW1/SW2 mm	包装单位 Packet
HSM-EX-M12-L	M12×1.5	3~6.5	12	10	19	14/14	50
HSM-EX-M16-HL	M16×1.5	3~6.5	16	10	20	14/18	50
HSM-EX-M16-L	M16×1.5	4~8	16	10	21	17/18	50
HSM-EX-M16-DL	M16×1.5	5~10	16	10	22.5	20/20	50
HSM-EX-M18-L	M18×1.5	5~10	18	10	22.5	20/20	50
HSM-EX-M20-HL	M20×1.5	5~10	20	10	22.5	20/22	32
HSM-EX-M20-L	M20×1.5	6~12	20	10	23.5	22/22	32
HSM-EX-M20-DL	M20×1.5	8~14	20	10	23	24/24	32
HSM-EX-M22-L	M22×2.0	8~14	22	10	23	24/24	32
HSM-EX-M24-HL	M24×1.5	6~12	24	10	23.5	22/28	18
HSM-EX-M24-L	M24×1.5	8~14	24	12	23	24/27	18
HSM-EX-M25-HL	M25×1.5	8~14	25	12	23	24/28	18
HSM-EX-M25-L	M25×1.5	10~16	25	12	24.5	28/28	18
HSM-EX-M25-DL	M25×1.5	13~18	25	12	26	30/30	18
HSM-EX-M27-HL	M27×2.0	10~16	27	12	24.5	28/30	18
* HSM-EX-M27-L	M27×2.0	13~18	27	12	26	30/30	18
* HSM-EX-M30-HL	M30×2.0	10~16	30	12	24.5	28/34	18
HSM-EX-M30-L	M30×2.0	13~18	30	12	26	30/34	18
HSM-EX-M32-HL	M32×1.5	13~18	32	12	26	30/36	18
HSM-EX-M32-L	M32×1.5	15~22	32	12	28	36/36	18
HSM-EX-M32-DL	M32×1.5	18~25	32	12	33	40/40	8
HSM-EX-M33-L	M33×2.0	18~25	33	12	33	40/40	8
* HSM-EX-M36-HL	M36×2.0	15~22	36	12	28	36/40	8
HSM-EX-M36-L	M36×2.0	18~25	36	15	33	40/40	8
HSM-EX-M40-HL	M40×1.5	18~25	40	15	33.5	40/45	4
HSM-EX-M40-L	M40×1.5	22~30	40	15	35.5	45/45	4
HSM-EX-M40-DL	M40×1.5	22~32	40	15	38.5	50/50	4
HSM-EX-M42-L	M42×2.0	22~32	42	14	38.5	50/50	4
HSM-EX-M48-L	M48×2.0	22~32	48	15	38	50/52	4
HSM-EX-M50-L	M50×1.5	30~38	50	15	40	55/58	2
* HSM-EX-M56-L	M56×2.0	30~38	56	15	40	58/60	2
HSM-EX-M60-L	M60×2.0	37~44	60	15	41	65/65	1
HSM-EX-M63-L	M63×1.5	37~44	63	15	41	65/70	2
HSM-EX-M63-DL	M63×1.5	42~53	63	15	44.5	75/75	1
HSM-EX-M64-L	M64×2.0	37~44	64	15	41	65/70	2

- ★ 所有规格材质可以提供不锈钢HSMS-EX系列
 HSMS-EX (stainless steel version) are available for all sizes
 所有打*暂未开发 All article No. marked * hasn't been developed

HSM-EX 防爆金属电缆防水接头 Explosion-proof Metal Waterproof Cable Gland

- 材料: 外部金属为黄铜镀镍 内部芯套为尼龙 密封件材料为改性橡胶
 - 温度: -40°C~100°C,短时长达120°C
 - 防护等级: 在规定的卡口范围内,防护等级可以达到IP68
 - 防爆等级: Ex eb IIC Gb Ex tb IIIC Db
 - 防爆证书号: TUV 17ATEX 8015X IECEX TUR 17.0009X
 - 性能: 通过IEC-60077-1999抗振动和抗冲击试验,通过RoHS测试
-
- Material: Body: nickel-plated brass Inner core: Polyamide, Sealing: modified rubber
 - Temperature range: Min-40°C,max100°C,short-term120°C
 - IP degree: Within the clamping range,its IP degree can reach IP68.
 - EX degree: Ex eb IIC Gb Ex tb IIIC Db
 - Certificate No.:TUV 17ATEX 8015X IECEX TUR 17.0009X
 - Properties: Passed IEC-60077-1999 anti vibration and anti impact test,passed RoHS



HSM-EX-P 德国 PG 螺纹 PG Thread

规格型号 Article No.	螺纹规格 Thread Dimension	卡口范围 Clamping Range mm	螺纹外径 AG mm	螺纹长度 GL mm	(H) mm	扳手尺寸 SW1/SW2 mm	包装单位 Packet
HSM-EX-P07	PG7	3~6.5	12.5	6	19	14/14	75
HSM-EX-P09-H	PG9	3~6.5	15.2	7	20	14/17	75
HSM-EX-P09	PG9	4~8	15.2	7	21	17/17	75
HSM-EX-P11	PG11	5~10	18.6	7	22.5	20/22	75
HSM-EX-P13.5-H	PG13.5	5~10	20.4	7	22.5	22/22	32
HSM-EX-P13.5	PG13.5	6~12	20.4	7	23.5	22/22	32
HSM-EX-P16-H	PG16	6~12	22.5	7	23.5	22/24	32
HSM-EX-P16	PG16	8~14	22.5	7	23	24/24	32
HSM-EX-P21-H	PG21	10~16	28.3	7	24.5	28/30	18
HSM-EX-P21	PG21	13~18	28.3	7	26	30/30	18
HSM-EX-P29-H	PG29	15~22	37	8	28	36/40	8
HSM-EX-P29	PG29	18~25	37	8	33	40/40	8
HSM-EX-P36	PG36	22~32	47	9	38.5	50/50	4
HSM-EX-P42	PG42	30~38	54	9	40	58/58	2
HSM-EX-P48	PG48	37~44	59.3	10	41	65/65	2

HSM-EX-P-L 加长型德国 PG 螺纹 Lengthened PG Thread

规格型号 Article No.	螺纹规格 Thread Dimension	卡口范围 Clamping Range mm	螺纹外径 AG mm	螺纹长度 GL mm	(H) mm	扳手尺寸 SW1/SW2 mm	包装单位 Packet
HSM-EX-P07-L	PG7	3~6.5	12.5	10	19	14/14	50
HSM-EX-P09-HL	PG9	3~6.5	15.2	10	20	14/17	50
HSM-EX-P09-L	PG9	4~8	15.2	10	21	17/17	50
HSM-EX-P11-L	PG11	5~10	18.6	10	22.5	20/20	50
HSM-EX-P13.5-HL	PG13.5	5~10	20.4	10	22.5	20/22	32
HSM-EX-P13.5-L	PG13.5	6~12	20.4	10	23.5	22/22	32
HSM-EX-P16-HL	PG16	6~12	22.5	10	23.5	22/24	32
HSM-EX-P16-L	PG16	8~14	22.5	10	23	24/24	32
HSM-EX-P21-HL	PG21	10~16	28.3	12	24.5	28/30	18
HSM-EX-P21-L	PG21	13~18	28.3	12	26	30/30	18
HSM-EX-P29-HL	PG29	15~22	37	12	28	36/40	8
HSM-EX-P29-L	PG29	18~25	37	12	33	40/40	8
HSM-EX-P36-L	PG36	22~32	47	15	38.5	50/50	2
HSM-EX-P42-L	PG42	30~38	54	15	40	58/58	2
HSM-EX-P48-L	PG48	37~44	59.3	15	41	65/65	2

★ 所有规格材质可以提供不锈钢HSM-EX系列 HSM-EX (stainless steel version) are available for all sizes

HSM-EX 防爆金属电缆防水接头 Explosion-proof Metal Waterproof Cable Gland

- 材料: 外部金属为黄铜镀镍 内部芯套为尼龙 密封件材料为改性橡胶
- 温度: -40°C~100°C,短时达120°C
- 防护等级: 在规定的卡口范围内,防护等级可以达到IP68
- 防爆等级: Ex eb IIC Gb Ex tb IIIC Db
- 防爆证书号: TUV 17ATEX 8015X IECEx TUR 17.0009X
- 性能: 通过IEC-60077-1999抗振动和抗冲击试验,通过RoHS测试

- Material: Body: nickel-plated brass Inner core: Polyamide, Sealing: modified rubber
- Temperature range: Min-40°C,max100°C,short-term120°C
- IP degree: Within the clamping range,its IP degree can reach IP68.
- EX degree: Ex eb IIC Gb Ex tb IIIC Db
- Certificate No.:TUV 17ATEX 8015X IECEx TUR 17.0009X
- Properties: Passed IEC-60077-1999 anti vibration and anti impact test,passed RoHS



HSM-EX-G G管螺纹 G Thread

规格型号 Article No.	螺纹规格 Thread Dimension	卡口范围 Clamping Range mm	基面螺纹外径 AG mm	螺纹长度 GL mm	(H) mm	扳手尺寸 SW1/SW2 mm	包装单位 Packet
HSM-EX-G3/8	G3/8"	4~8	16.66	8	21	17/20	32
HSM-EX-G1/2-H	G1/2"	5~10	20.95	8	23	20/24	32
HSM-EX-G1/2	G1/2"	6~12	20.95	8	23.5	22/24	32
HSM-EX-G1/2-D	G1/2"	8~14	20.95	8	23.5	24/24	32
HSM-EX-G3/4-TH	G3/4"	6~12	26.44	8	23.5	22/30	18
HSM-EX-G3/4-H	G3/4"	8~14	26.44	8	23.5	24/30	18
HSM-EX-G3/4	G3/4"	13~18	26.44	8	26	30/30	18
HSM-EX-G1	G1"	18~25	33.24	9	33	40/38	8
HSM-EX-G1 1/4	G1 1/4"	22~32	41.91	10	38.5	50/50	4
HSM-EX-G1 1/2	G1 1/2"	30~38	47.80	10	40	58/55	2
HSM-EX-G2	G2"	37~44	59.61	11	41	65/65	2

HSM-EX-N NPT 制锥管螺纹 NPT Thread

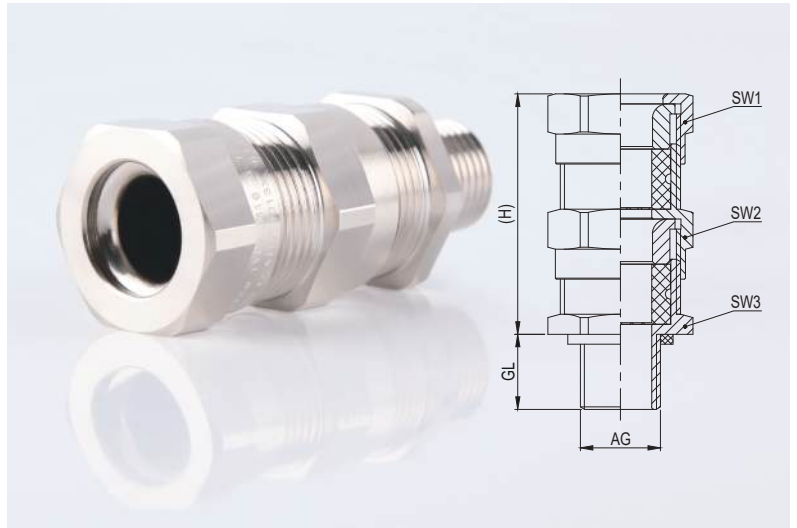
规格型号 Article No.	螺纹规格 Thread Dimension	卡口范围 Clamping Range mm	螺纹外径 AG mm	螺纹长度 GL mm	(H) mm	扳手尺寸 SW1/SW2 mm	包装单位 Packet
HSM-EX-N3/8	NPT3/8"	4~8	16.65	13	21	17/20	32
HSM-EX-N1/2-H	NPT1/2"	5~10	20.85	13	22.5	20/23	32
HSM-EX-N1/2	NPT1/2"	6~12	20.85	13	23.5	22/23	32
HSM-EX-N1/2-D	NPT1/2"	8~14	20.85	13	23.5	24/24	32
HSM-EX-N3/4-TH	NPT3/4"	6~12	26.30	13	23.5	22/30	18
HSM-EX-N3/4-H	NPT3/4"	8~14	26.30	13	23.5	24/30	18
HSM-EX-N3/4	NPT3/4"	13~18	26.30	13	26	30/30	18
HSM-EX-N1	NPT1"	18~25	33.15	16	33	40/38	8
HSM-EX-N1 1/4	NPT1 1/4"	22~32	41.85	16	38.5	50/50	4
HSM-EX-N1 1/2	NPT1 1/2"	30~38	47.75	18	40	58/55	2
HSM-EX-N2	NPT2"	37~44	59.55	18	41	65/65	2

★ 所有规格材质可以提供不锈钢HSM-EX系列
HSM-EX (stainless steel version) are available for all sizes

HSM-EX1 隔爆型金属电缆防水接头 Flameproof Metal Cable Gland

- 材料: 外部金属为黄铜镀镍, 密封件材料为硅橡胶
- 温度: -40°C~130°C
- 防护等级: 在规定的卡口范围之内, 防护等级可以达到IP68
- 防爆等级: Ex db IIC Gb Ex tb IIIC Db
- 隔爆证书号: TUV 17 ATEX 8013X IECEx TUR 17.0007X
- 性能: 通过RoHS测试
- 应用场合: 用于爆炸危险的场所, 防爆电气设备连接, 化工、石油、电力、轻工、机械等各个行业, 特别适用于自动化工程线路安装

- Material: Body: nicked-plated brass; Sealing: Silicone rubber
- Temperature range: Min -40°C, max 130°C
- IP degree: Within the clamping range, its IP degree can reach IP68.
- Ex degree: Ex db IIC Gb Ex tb IIIC Db
- Certificate No.: TUV 17 ATEX 8013X IECEx TUR 17.0007X
- Properties: RoHS
- Application: For hazardous area, connection for explosion-proof electric equipments, chemical industry, petroleum, electricity, light industry, machinery etc, especially for installation for automation engineering circuit



HSM-EX1-M 公制螺纹 Metric Thread

规格型号 Article No.	螺纹规格 Thread Dimension	卡口范围 Clamping Range mm	螺纹外径 AG mm	螺纹长度 GL mm	(H) mm	扳手尺寸 SW1/SW2/SW3 mm	包装单位 Packet
HSM-EX1-M16	M16×1.5	6~12	16	15	48	26/26/26	9
HSM-EX1-M20	M20×1.5	10~15	20	15	54.5	30/30/30	9
HSM-EX1-M25	M25×1.5	14~18	25	15	54.5	34/34/34	9
HSM-EX1-M30	M30×2.0	17~23	30	20	58	45/45/45	4
HSM-EX1-M32	M32×1.5	22~27	32	15	58	50/50/50	4
HSM-EX1-M40	M40×1.5	26~33	40	15	58	55/55/50	4
HSM-EX1-M50	M50×1.5	32~41	50	15	67	65/65/65	1
HSM-EX1-M56	M56×2.0	40~49	56	20	67	75/75/70	1
HSM-EX1-M63	M63×1.5	48~57	63	20	68	80/80/80	1

HSM-EX1-60°NPT锥螺纹 NPT Thread

规格型号 Article No.	螺纹规格 Thread Dimension	卡口范围 Clamping Range mm	螺纹外径 AG mm	螺纹长度 GL mm	(H) mm	扳手尺寸 SW1/SW2/SW3 mm	包装单位 Packet
HSM-EX1-N3/8	NPT3/8	6~12	17.055	15	48	26/26/26	9
HSM-EX1-N1/2	NPT1/2	10~15	21.223	15	54.5	30/30/30	9
HSM-EX1-N3/4	NPT3/4	14~18	26.568	15	54.5	34/34/34	9
HSM-EX1-N1	NPT1	22~27	33.228	20	58	50/50/50	4
HSM-EX1-N1 1/4	NPT1 1/4	26~33	41.988	20	58	55/55/52	4
HSM-EX1-N1 1/2	NPT1 1/2	32~41	48.054	20	67	65/65/65	1
HSM-EX1-N2	NPT2	40~49	60.092	20	67	75/75/70	1

- ★ 所有规格材质可以提供不锈钢HSM-EX1系列
HSM-EX1 (stainless steel version) are available for all sizes

HSM-EX2 铠装隔爆型金属电缆防水接头

Armored Explosion-proof Metal Waterproof Cable Gland

- 材料: 外部金属为黄铜镀镍, 密封件材料为硅橡胶
- 防护等级: 在规定的卡口范围之内, 防护等级可以达到IP68
- 温度: -40°C~130°C
- 防爆等级: Ex db IIC Gb Ex tb IIIC Db
- 隔爆证书号: TUV 17 ATEX 8014X IECEx TUR 17.0008X
- 性能: 通过RoHS测试
- 应用场合: 用于爆炸危险的场所, 防爆电气设备连接, 化工、石油、电力、轻工、机械等各个行业, 特别适用于自动化工程线路安装

- Material: Body: nicked-plated brass; Sealing: Silicon rubber
- Temperature range: Min -40°C, max 130°C
- IP degree: Within the clamping range, its IP degree can reach IP68
- Ex degree: Ex db IIC Gb Ex tb IIIC Db
- Certificate No.: TUV 17 ATEX 8014X IECEx TUR 17.0008X
- Properties: RoHS
- Application: For hazardous area, connection for explosion-proof electric equipments, chemical industry, petroleum, electricity, light industry, machinery etc, especially for installation for automation engineering circuit



HSM-EX2-M 公制螺纹 Metric Thread

规格型号 Article No.	螺纹规格 Thread Dimension	卡口范围 Clamping Range1 mm	卡口范围 Clamping Range2 mm	螺纹外径 AG mm	螺纹长度 GL mm	(H) mm	扳手尺寸 SW1/SW2/SW3 mm	包装单位 Packet
HSM-EX2-M16	M16×1.5	6~12	4~10	16	15	61	26/26/26	9
HSM-EX2-M20	M20×1.5	10~15	8~13	20	15	67.5	30/30/30	9
HSM-EX2-M25	M25×1.5	14~18	12~16	25	15	67.5	34/34/34	9
HSM-EX2-M30	M30×2.0	17~23	15~21	30	20	71	45/45/45	4
HSM-EX2-M32	M32×1.5	22~27	20~25	32	15	71	50/50/50	4
HSM-EX2-M40	M40×1.5	26~33	24~31	40	15	71	55/55/50	4
HSM-EX2-M50	M50×1.5	32~41	27~35	50	15	80	65/65/65	1
HSM-EX2-M56	M56×2.0	40~49	35~43	56	20	80	75/75/70	1
HSM-EX2-M63	M63×1.5	48~57	42~50	63	20	81	80/80/80	1

HSM-EX2-60°NPT锥螺纹 NPT Thread

规格型号 Article No.	螺纹规格 Thread Dimension	卡口范围 Clamping Range1 mm	卡口范围 Clamping Range2 mm	螺纹外径 AG mm	螺纹长度 GL mm	(H) mm	扳手尺寸 SW1/SW2/SW3 mm	包装单位 Packet
HSM-EX2-N3/8	NPT3/8	6~12	4~10	17.055	15	67	26/26/26	9
HSM-EX2-N1/2	NPT1/2	10~15	8~13	21.223	15	67.5	30/30/30	9
HSM-EX2-N3/4	NPT3/4	14~18	12~16	26.568	15	67.5	34/34/34	9
HSM-EX2-N1	NPT1	22~27	20~25	33.228	20	71	50/50/50	4
HSM-EX2-N1 1/4	NPT1 1/4	26~33	24~31	41.988	20	71	55/55/52	4
HSM-EX2-N1 1/2	NPT1 1/2	32~41	27~35	48.054	20	80	65/65/65	1
HSM-EX2-N2	NPT2	40~49	35~43	60.092	20	80	75/75/70	1

★ 所有规格材质可以提供不锈钢HSM-EX2系列
HSM-EX2 (stainless steel version) are available for all sizes

HSM-EX3 单密封隔爆型金属电缆防水接头

Single Seal Explosion-proof Metal Waterproof Cable Gland

- 材料: 外部金属为黄铜镀镍, 密封件材料为硅橡胶
- 温度: -40°C~130°C
- 防护等级: 在规定的卡口范围之内, 防护等级可以达到IP68
- 防爆等级: Ex db IIC Gb Ex tb IIIC Db
- 隔爆证书号: TUV 17 ATEX 8013X IECEx TUR 17.0007X
- 性能: 通过RoHS测试
- 应用场合: 用于爆炸危险的场所, 防爆电气设备连接, 化工、石油、电力、轻工、机械等各个行业, 特别适用于自动化工程线路安装

- Material: Body: nicked-plated brass; Sealing: Silicone rubber
- Temperature range: Min -40°C, max 130°C
- IP degree: Within the clamping range, its IP degree can reach IP68
- Ex db IIC Gb Ex tb IIIC Db
- Certificate No.: TUV 17 ATEX 8013X IECEx TUR 17.0007X
- Properties: RoHS
- Application: For hazardous area, connection for explosion-proof electric equipments, chemical industry, petroleum, electricity, light industry, machinery etc, especially for installation for automation engineering circuit



HSM-EX3-M 公制螺纹 Metric Thread

规格型号 Article No.	螺纹规格 Thread Dimension	卡口范围 Clamping Range mm	螺纹外径 AG mm	螺纹长度 GL mm	(H) mm	扳手尺寸 SW1/SW2 mm	包装单位 Packet
HSM-EX3-M16	M16×1.5	6~12	16	15	29	26/26	18
HSM-EX3-M20	M20×1.5	10~15	20	15	29.5	30/30	18
HSM-EX3-M25	M25×1.5	14~18	25	15	29.5	34/34	18
HSM-EX3-M30	M30×2.0	17~23	30	20	32	45/45	4
HSM-EX3-M32	M32×1.5	22~27	32	15	32	50/50	4
HSM-EX3-M40	M40×1.5	26~33	40	15	32	55/50	4
HSM-EX3-M50	M50×1.5	32~41	50	15	37	65/65	2
HSM-EX3-M56	M56×2.0	40~49	56	20	37	75/70	2
HSM-EX3-M63	M63×1.5	48~57	63	20	38	80/80	2

HSM-EX3-60°NPT锥螺纹 NPT Thread

规格型号 Article No.	螺纹规格 Thread Dimension	卡口范围 Clamping Range mm	螺纹外径 AG mm	螺纹长度 GL mm	(H) mm	扳手尺寸 SW1/SW2 mm	包装单位 Packet
HSM-EX3-N3/8	NPT3/8	6~12	17.055	15	29	26/26	18
HSM-EX3-N1/2	NPT1/2	10~15	21.223	15	29.5	30/30	18
HSM-EX3-N3/4	NPT3/4	14~18	26.568	15	29.5	34/34	18
HSM-EX3-N1	NPT1	22~27	33.228	20	32	50/50	4
HSM-EX3-N1 1/4	NPT1 1/4	26~33	41.988	20	32	55/52	4
HSM-EX3-N1 1/2	NPT1 1/2	32~39	48.054	20	37	65/65	2
HSM-EX3-N2	NPT2	40~49	60.092	20	37	75/70	2

- ★ 所有规格材质可以提供不锈钢HSM-EX3系列
HSM-EX3 (stainless steel version) are available for all sizes

HSM-EX4 单密封铠装隔爆型金属电缆接头

Armored Explosion-proof Metal Waterproof Cable Gland With Single Seal

- 材料: 外部金属为黄铜镀镍, 密封件材料为硅橡胶
- 温度: -40°C~130°C
- 防爆等级: Ex db IIC Gb Ex tb IIIC Db
- 隔爆证书号: TUV 17 ATEX 8014X IECEx TUR 17.0008X
- 性能: 通过RoHS测试
- 应用场合: 用于爆炸危险的场所, 防爆电气设备连接, 化工、石油、电力、轻工、机械等各个行业, 特别适用于自动化工程线路安装

- Material: Body: nicked-plated brass; Sealing: Silicone rubber
- Temperature range: Min -40°C, Max 130°C
- Ex degree: Ex db IIC Gb Ex tb IIIC Db
- Certificate No.: TUV 17 ATEX 8014X IECEx TUR 17.0008X
- Properties: RoHS
- Application: For hazardous area, connection for explosion-proof electric equipments, chemical industry, petroleum, electricity, light industry, machinery etc, especially for installation for automation engineering circuit



HSM-EX4-M 公制螺纹 Metric Thread

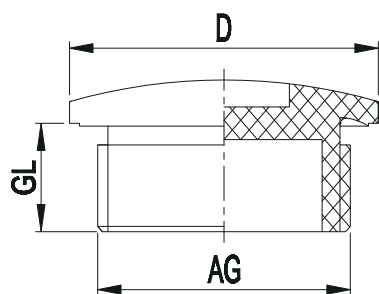
规格型号 Article No.	螺纹规格 Thread Dimension	★ 卡口范围 Clamping Range mm	螺纹外径 AG mm	螺纹长度 GL mm	(H) mm	扳手尺寸 SW1/SW2 mm	包装单位 Packet
HSM-EX4-M16	M16×1.5	4~10	16	15	40	27/26	9
HSM-EX4-M20	M20×1.5	8~13	20	15	42.5	30/30	9
HSM-EX4-M25	M25×1.5	12~16	25	15	42.5	36/34	9
HSM-EX4-M30	M30×2.0	15~21	30	20	44	45/45	4
HSM-EX4-M32	M32×1.5	20~25	32	15	44	50/50	4
HSM-EX4-M40	M40×1.5	24~31	40	15	44	55/50	4
HSM-EX4-M50	M50×1.5	27~35	50	15	49	65/65	1
HSM-EX4-M56	M56×2.0	35~43	56	20	49	75/70	1
HSM-EX4-M63	M63×1.5	42~50	63	20	50	80/80	1

HSM-EX4-60°NPT锥螺纹 NPT Thread

规格型号 Article No.	螺纹规格 Thread Dimension	★ 卡口范围 Clamping Range mm	螺纹外径 AG mm	螺纹长度 GL mm	(H) mm	扳手尺寸 SW1/SW2 mm	包装单位 Packet
HSM-EX4-N3/8	NPT3/8	4~10	17.055	15	40	27/26	9
HSM-EX4-N1/2	NPT1/2	8~13	21.223	15	42.5	30/30	9
HSM-EX4-N3/4	NPT3/4	12~16	26.568	15	42.5	36/34	9
HSM-EX4-N1	NPT1	20~25	33.228	20	44	50/50	4
HSM-EX4-N1 1/4	NPT1 1/4	24~31	41.988	20	44	55/52	4
HSM-EX4-N1 1/2	NPT1 1/2	27~35	48.054	20	49	65/65	1
HSM-EX4-N2	NPT2	35~43	60.092	20	49	75/70	1

- ★ HSM-EX4系列卡口范围指剥去铠装层后的线径。所有规格材质可以提供不锈钢HSMS-EX4系列。
The clamping range of HSM-EX4 series refers to the cable diameter without the armored layer.
HSMS-EX4 (stainless steel version) are available for all sizes.

DPK 尼龙闷盖 Polyamide Plug



- 材料: 尼龙
- 颜色: 灰白色(RAL 7035), 黑色(RAL 9005)
- 温度: -40°C~100°C
- 防护等级: IP56 当使用合适密封圈 (O-ring/FR), 防护等级可以达到IP68
- 性能: 不含卤素、磷、镉等,通过 RoHS测试

- Material: Polyamide
- Color: Grey white (RAL 7035), Black (RAL 9005)
- Temperature range: Min -40°C, max 100°C
- IP degree: IP56 When used together with O-ring/FR, its IP degree can reach IP68
- Properties: Free of halogen, phosphor and cadmium, passed RoHS

★ 订货编号: #=B(黑色), G(灰白色)
Order number: #=B(Black), G(Grey white)



DPK-M 公制螺纹 Metric Thread

规格型号 Article No.	螺纹规格 Thread Dimension	螺纹外径 AG mm	闷盖外径 D mm	螺纹长度 GL mm	包装数量 Packet
DPK-M12 #	M12×1.5	12	16	8	100
DPK-M16 #	M16×1.5	16	20	8	100
DPK-M18 #	M18×1.5	18	23	8	100
DPK-M20 #	M20×1.5	20	25	9	100
DPK-M22 #	M22×1.5	22	27	10	100
DPK-M24 #	M24×1.5	24	29	10	50
DPK-M25 #	M25×1.5	25	30	11	50
DPK-M27 #	M27×2.0	27	33	11	50
DPK-M30 #	M30×2.0	30	35	11	50
DPK-M32 #	M32×1.5	32	39	11	50
DPK-M36 #	M36×2.0	36	44	11	25
DPK-M40 #	M40×1.5	40	46	13	10
DPK-M48 #	M48×2.0	48	55	13	10
DPK-M50 #	M50×1.5	50	56.5	15	10
DPK-M63 #	M63×1.5	63	70	15	5

DPK-P PG 螺纹 PG Thread

规格型号 Article No.	螺纹规格 Thread Dimension	螺纹外径 AG mm	闷盖外径 D mm	螺纹长度 GL mm	包装数量 Packet
DPK -P07 #	PG7	12.5	16	8	100
DPK -P09 #	PG9	15.2	19	8	100
DPK -P11 #	PG11	18.6	23	8	100
DPK -P13.5 #	PG13.5	20.4	25	9	100
DPK -P16 #	PG16	22.5	27	10	50
DPK -P21 #	PG21	28.3	33	11	50
DPK -P29 #	PG29	37	44	11	25
DPK -P36 #	PG36	47	55	13	10
DPK -P42 #	PG42	54	62	15	10
DPK -P48 #	PG48	59.3	69.5	15	5

DPM 六角形金属闷盖 Hexagon Metal Plug

- 材料: 黄铜镀镍, 密封件为改性橡胶
- 防护等级: IP68
- 性能: 通过RoHS测试

- Material: Nickel-plated brass, sealing: modified rubber
- IP degree: IP68
- Properties: Passed RoHS



DPM-M M 螺纹 Metric Thread

规格型号 Article No.	规格螺纹 Thread Dimension	螺纹外径 AG mm	扳手尺寸 Wrench Size mm	螺纹长度 GL mm	总长度 H mm	包装单位 Packet
DPM-M10	M10×1.0	10	12	6	9	50
DPM-M12	M12×1.5	12	14	6	9	50
DPM-M16	M16×1.5	16	18	7	10	50
DPM-M18	M18×1.5	18	20	7	10.5	50
DPM-M20	M20×1.5	20	22	7	10.5	32
DPM-M22	M22×1.5	22	24	7	10.5	32
DPM-M24	M24×1.5	24	27	7	10.5	18
DPM-M25	M25×1.5	25	28	7	10.5	18
DPM-M27	M27×2.0	27	30	8	12	18
DPM-M30	M30×2.0	30	34	8	12	18
DPM-M32	M32×1.5	32	36	8	12	18
DPM-M33	M33×2.0	33	36	8	12	18
DPM-M36	M36×2.0	36	40	8	12	8
DPM-M40	M40×1.5	40	45	9	14	8
DPM-M48	M48×2.0	48	52	9	14	8
DPM-M50	M50×1.5	50	55	9	14	8
DPM-M56	M56×2.0	56	60	9	15	4
DPM-M63	M63×1.5	63	70	10	16	6
DPM-M64	M64×2.0	64	70	10	16	6

DPM-P 螺纹 PG Thread

规格型号 Article No.	规格螺纹 Thread Dimension	螺纹外径 AG mm	扳手尺寸 Wrench Size mm	螺纹长度 GL mm	总长度 H mm	包装单位 Packet
DPM-P07	PG7	12.5	15	6	9	50
DPM-P11	PG11	18.6	21	7	10.5	32
DPM-P09	PG9	15.2	18	7	10	50
DPM-P13.5	PG13.5	20.4	23	7	10.5	32
DPM-P16	PG16	22.5	26	7	10.5	18
DPM-P21	PG21	28.3	32	7	11	18
DPM-P29	PG29	37	40	8	12	8
DPM-P36	PG36	47	50	9	14	8
DPM-P42	PG42	54	58	9	14	4
DPM-P48	PG48	59.3	65	10	16	6

★ 所有规格材质可以提供不锈钢DPMS系列
DPMS (stainless steel version) are available for all sizes

DPM 六角形金属闷盖 Hexagon Metal Plug

- 材料: 黄铜镀镍, 密封件为改性橡胶
- 防护等级: IP68
- 性能: 通过RoHS测试

- Material: Nickel-plated brass, sealing: modified rubber
- IP degree: IP68
- Properties: Passed RoHS



DPM-G 管螺纹 G Thread

规格型号 Article No.	规格螺纹 Thread Dimension	螺纹外径 AG mm	螺纹长度 GL mm	扳手尺寸 Wrench Size mm	总长度 H mm	包装单位 Packet
DPM-G3/8	G3/8"	16.66	8	20	11.5	50
DPM-G1/2	G1/2"	20.99	8	24	11.5	32
DPM-G3/4	G3/4"	26.44	8	30	12	18
DPM-G1	G1"	33.24	9	38	13	8
DPM-G1 1/4	G1 1/4"	41.91	10	50	15	8
DPM-G1 1/2	G1 1/2"	47.8	10	52	15	8
DPM-G2	G2"	59.61	11	65	17	6
DPM-G2 1/2	G2 1/2"	75.18	11	80	17	6
DPM-G3	G3"	87.88	11	95	18.5	2

DPM-N 锥管螺纹 NPT Thread

规格型号 Article No.	规格螺纹 Thread Dimension	螺纹外径 AG mm	螺纹长度 GL mm	扳手尺寸 Wrench Size mm	总长度 H mm	包装单位 Packet
DPM-N3/8	N3/8"	16.65	11	20	14.5	50
DPM-N1/2	N1/2"	20.85	13	23	16.5	32
DPM-N3/4	N3/4"	26.30	13	30	17	18
DPM-N1	N1"	33.15	16	38	20	8
DPM-N1 1/4	N1 1/4"	41.85	16	50	21	8
DPM-N1 1/2	N1 1/2"	47.75	18	52	23	8
DPM-N2	N2"	59.55	18	65	24	4
DPM-N2 1/2	N2 1/2"	72.30	22	75	28	4
DPM-N3	N3"	87.95	22	95	28	2

★ 所有规格材质可以提供不锈钢DPMS系列
DPMS (stainless steel version) are available for all sizes

DPM.C 圆形金属闷盖 Circular Metal Plug

- 材料: 黄铜镀镍, 密封件为改性橡胶
- 防护等级: IP68
- 性能: 通过RoHS测试

- Material: Nickel-plated brass, sealing: modified rubber
- IP degree: IP68
- Properties: Passed RoHS



DPM.C-P 圆形金属闷盖 PG 制螺纹 PG Thread

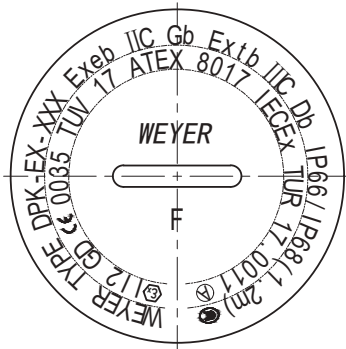
规格型号 Article No.	螺纹规格 Thread	螺纹外径 AG mm	螺纹长度L1 Thread Length mm	总长度L Total Length mm	头部直径D(Φ) Head Dia. mm	包装单位 Packet
DPM.C-P07	PG7	12.5	6	9	15	50
DPM.C-P09	PG9	15.2	7	10	18	50
DPM.C-P11	PG11	18.6	7	10	21	50
DPM.C-P13.5	PG13.5	20.4	7	10	23	32
DPM.C-P16	PG16	22.5	7	10	25	32
DPM.C-P21	PG21	28.3	7	11	32	18
DPM.C-P29	PG29	37	8	12	40	8
DPM.C-P36	PG36	47	9	15	50	8
DPM.C-P42	PG42	54	9	15	59	8
DPM.C-P48	PG48	59.3	10	16	64	4

DPM.C-M 圆形金属闷盖-公制螺纹 Metric Thread

规格型号 Article No.	螺纹规格 Thread	螺纹外径 AG mm	螺纹长度L1 Thread Length mm	总长度L Total Length mm	头部直径D(Φ) Head Dia. mm	包装单位 Packet
DPM.C-M10	M10×1.0	10	6	9	12	50
DPM.C-M12	M12×1.5	12	6	9	14	50
DPM.C-M16	M16×1.5	16	7	10	18	50
DPM.C-M18	M18×1.5	18	7	10	21	50
DPM.C-M20	M20×1.5	20	7	10	23	32
DPM.C-M22	M22×1.5	22	7	10	25	32
DPM.C-M24	M24×1.5	24	7	10	27	32
DPM.C-M25	M25×1.5	25	7	10	28	18
DPM.C-M27	M27×2.0	27	8	12	30	18
DPM.C-M30	M30×2.0	30	8	12	33	18
DPM.C-M32	M32×1.5	32	8	12	35	18
DPM.C-M33	M33×2.0	33	8	12	36	18
DPM.C-M36	M36×2.0	36	8	12	39	18
DPM.C-M40	M40×1.5	40	9	15	44	8
DPM.C-M42	M42×2.0	42	9	15	46	8
DPM.C-M48	M48×2.0	48	9	15	52	8
DPM.C-M50	M50×1.5	50	9	15	55	8
DPM.C-M56	M56×2.0	56	9	15	60	4
DPM.C-M63	M63×1.5	63	10	16	68	4
DPM.C-M64	M64×2.0	64	10	16	69	4

★ 所有规格材质可以提供不锈钢DPM.S.C系列
DPM.S.C (stainless steel version) are available for all sizes

DPK-EX 防爆尼龙闷盖 Explosion-Proof Nylon Plug



- 材料: 尼龙
- 颜色: 灰白色(RAL 7035), 黑色(RAL 9005)
- 温度: -40°C~100°C
- 性能: 不含卤素、磷、镉等,通过 RoHS测试
- 防爆等级: Ex II2 G Exeb IIC Gb II2 D Extb IIC Db IP66/IP68
- 防爆证书号: TUV 17 ATEX 8017 IECEx TUR 17.0011

- Material: Polyamide
- Color: Grey white (RAL 7035), black (RAL 9005)
- Temperature range: Min -40°C, max 100°C
- Properties: Free of halogen, phosphor and cadmium, passed RoHS
- Explosion Class: Ex II2 G Exeb IIC Gb II2 D Extb IIC Db IP66/68
- Certificate No.: TUV17ATEX8017 IECEx TUR17.0011

★ 订货编号: #=B(黑色), G(灰白色)
Order number: #=B(Black), G (Grey white)

DPK-EX-M 公制螺纹 Metric Thread

规格型号 Article No.	螺纹规格 Thread Dimension	螺纹外径 AG mm	闷盖外径 Nylon Plug O.D. mm	螺纹长度 GL mm	包装数量 Packet
DPK-EX-M12 #	M12×1.5	12	16	8	100
DPK-EX-M16 #	M16×1.5	16	20	8	100
DPK-EX-M18 #	M18×1.5	18	23	8	100
DPK-EX-M20 #	M20×1.5	20	25	9	100
DPK-EX-M22 #	M22×1.5	22	27	10	100
DPK-EX-M24 #	M24×1.5	24	29	10	50
DPK-EX-M25 #	M25×1.5	25	30	11	50
DPK-EX-M27 #	M27×2.0	27	33	11	50
DPK-EX-M30 #	M30×2.0	30	35	11	50
DPK-EX-M32 #	M32×1.5	32	39	11	25
DPK-EX-M36 #	M36×2.0	36	44	11	25
DPK-EX-M40 #	M40×1.5	40	46	13	10
DPK-EX-M48 #	M48×2.0	48	55	13	10
DPK-EX-M50 #	M50×1.5	50	56.5	15	10
DPK-EX-M63 #	M63×1.5	63	70	15	5

DPK-EX-P PG制螺纹 PG Thread

规格型号 Article No.	螺纹规格 Thread Dimension	螺纹外径 AG mm	闷盖外径 Nylon Plug O.D. mm	螺纹长度 GL mm	包装数量 Packet
DPK-EX-P07 #	PG7	12.5	16	8	100
DPK-EX-P09 #	PG9	15.2	19	8	100
DPK-EX-P11 #	PG11	18.6	23	8	100
DPK-EX-P13.5 #	PG13.5	20.4	25	9	100
DPK-EX-P16 #	PG16	22.5	27	10	50
DPK-EX-P21 #	PG21	28.3	33	11	50
DPK-EX-P29 #	PG29	37	44	11	25
DPK-EX-P36 #	PG36	47	55	13	10
DPK-EX-P42 #	PG42	54	62	15	10
DPK-EX-P48 #	PG48	59.3	69.5	15	5

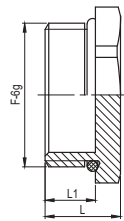
DPM-EX-M 防爆六角金属闷盖 Explosion-Proof Hexagon Metal Plug



- 材料: 黄铜镀镍
- 温度: -40°C~100°C
- 防爆等级: Ⓢ II2 GD Exeb IIC Gb Extb IIIC Db IP66/68
- 防爆证书号: TUV 17 ATEX 8017 IECEx TUR 17.0011
- 性能: 通过RoHS测试

- Material: Nickel-plated brass
- Temperature range: Min -40°C, max 100°C
- Explosion Class: Ⓢ II2 GD Exeb IIC Gb Extb IIIC Db IP66/68
- Certificate No.: TUV 17 ATEX 8017 IECEx TUR 17.0011
- Properties: Passed RoHS

- ★ 所有规格材质可以提供不锈钢DPMS-EX-M系列
DPMS-EX-M (stainless steel version) are available for all sizes




规格型号 Article No.	外螺纹F Outer Thread mm	扳手尺寸S Wrench Size mm	总长L Total Length mm	外螺纹长L1 Thread Length mm
DPM-EX-M10	M10×1.0	12	9	6
DPM-EX-M12	M12×1.5	14	9	6
DPM-EX-M16	M16×1.5	18	10	7
DPM-EX-M18	M18×1.5	20	10.5	7
DPM-EX-M20	M20×1.5	22	10.5	7
DPM-EX-M22	M22×1.5	24	10.5	7
DPM-EX-M24	M24×1.5	27	10.5	7
DPM-EX-M25	M25×1.5	28	10.5	7
DPM-EX-M27	M27×2.0	30	12	8
DPM-EX-M30	M30×2.0	34	12	8
DPM-EX-M32	M32×1.5	36	12	8
DPM-EX-M33	M33×2.0	36	12	8
DPM-EX-M36	M36×2.0	40	12	8
DPM-EX-M40	M40×1.5	45	14	9
DPM-EX-M48	M48×2.0	52	14	9
DPM-EX-M50	M50×1.5	55	14	9
DPM-EX-M56	M56×2.0	60	15	9
DPM-EX-M60	M60×2.0	65	16	10
DPM-EX-M63	M63×1.5	70	16	10
DPM-EX-M64	M64×2.0	70	16	10


DPM-EX-N 防爆六角金属闷盖 Explosion-Proof Hexagon Metal Plug

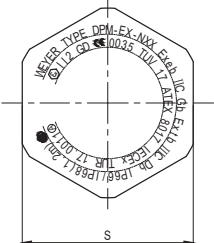
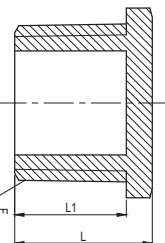


- 材料: 黄铜镀镍
- 温度: -40°C~100°C
- 防爆等级: Ⓢ II2 GD Exeb IIC Gb Extb IIIC Db
- 防爆证书号: TUV 17 ATEX 8017 IECEx TUR 17.0011
- 性能: 通过RoHS测试

- Material: Nickel-plated brass
- Temperature range: Min -40°C, max 100°C
- Explosion Class: Ⓢ II2 GD Exeb IIC Gb Extb IIIC Db
- Certificate No.: TUV 17 ATEX 8017 IECEx TUR 17.0011
- Properties: Passed RoHS



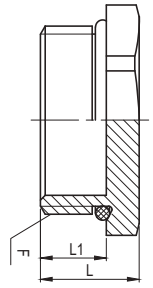
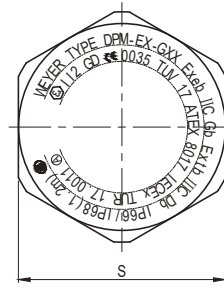



规格型号 Article No.	外螺纹F Outer Thread mm	扳手尺寸S Wrench Size mm	总长L Total Length mm	外螺纹长L1 Thread Length mm
DPM-EX-N3/8	NPT3/8"	20	15.5	12
DPM-EX-N1/2	NPT1/2"	23	18.5	15
DPM-EX-N3/4	NPT3/4"	30	19	15
DPM-EX-N1	NPT1"	38	23	19
DPM-EX-N11/4	NPT11/4"	50	24	19
DPM-EX-N11/2	NPT11/2"	52	25	20
DPM-EX-N2	NPT2"	65	27	21
DPM-EX-N21/2	NPT21/2"	75	36	30

- ★ 所有规格材质可以提供不锈钢DPMS-EX-N系列
DPMS-EX-N (stainless steel version) are available for all sizes

DPM-EX-G 防爆六角金属闷盖 Explosion-Proof Hexagon Metal Plug



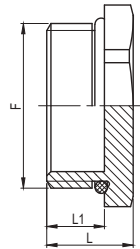
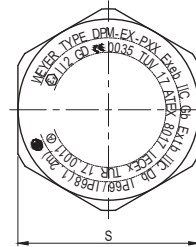
- 材料: 黄铜镀镍
- 温度: -40°C~100°C
- 防爆等级: Ⓢ II2 GD Exeb IIC Gb Extb IIIC Db IP66/68
- 防爆证书号: TUV 17 ATEX 8017 IECEx TUR 17.0011
- 性能: 通过RoHS测试

- Material: Nickel-plated brass
- Temperature range: Min -40°C, max 100°C
- Explosion Class: Ⓢ II2 GD Exeb IIC Gb Extb IIIC Db IP66/68
- Certificate No.: TUV 17 ATEX 8017 IECEx TUR 17.0011
- Properties: Passed RoHS

规格型号 Article No.	外螺纹F Outer Thread mm	扳手尺寸S Wrench Size mm	总长L Total Length mm	外螺纹长L1 Thread Length mm
DPM-EX-G3/8	G3/8	20	1Φ1.5	8
DPM-EX-G1/2	G1/2	24	1Φ1.5	8
DPM-EX-G3/4	G3/4	30	12	8
DPM-EX-G1	G1	38	13	9
DPM-EX-G11/4	G11/4	50	15	10
DPM-EX-G11/2	G11/2	52	15	10
DPM-EX-G2	G2	65	17	11
DPM-EX-G21/2	G21/2	80	17	11

★ 所有规格材质可以提供不锈钢DPM-EX-G系列
DPM-EX-G (stainless steel version) are available for all sizes

DPM-EX-P 防爆六角金属闷盖 Explosion-Proof Hexagon Metal Plug



- 材料: 黄铜镀镍
- 温度: -40°C~100°C
- 防爆等级: Ⓢ II2 GD Exeb IIC Gb Extb IIIC Db
- 防爆证书号: TUV 17 ATEX 8017 IECEx TUR 17.0011
- 性能: 通过RoHS测试

- Material: Nickel-plated brass
- Temperature range: Min -40°C, max 100°C
- Explosion Class: Ⓢ II2 GD Exeb IIC Gb Extb IIIC Db
- Certificate No.: TUV 17 ATEX 8017 IECEx TUR 17.0011
- Properties: Passed RoHS

规格型号 Article No.	外螺纹F Outer Thread mm	扳手尺寸S Wrench Size mm	总长L Total Length mm	外螺纹长L1 Thread Length mm
DPM-EX-P07	PG7	15	9	6
DPM-EX-P09	PG9	18	10	7
DPM-EX-P11	PG11	21	10.5	7
DPM-EX-P13.5	PG13.5	23	10.5	7
DPM-EX-P16	PG16	26	10.5	7
DPM-EX-P21	PG21	32	11	7
DPM-EX-P29	PG29	40	12	8
DPM-EX-P36	PG36	50	14	9
DPM-EX-P42	PG42	58	14	9
DPM-EX-P48	PG48	65	16	10

★ 所有规格材质可以提供不锈钢DPM-EX-P系列
DPM-EX-P (stainless steel version) are available for all sizes

DPM.C-EX-M 防爆圆形金属闷盖 Explosion-Proof Circular Metal Plug

- 材料: 黄铜镀镍
- 温度: -40°C~100°C
- 防爆等级: Ⓜ II2 GD Exeb IIC Gb Extb IIIC Db IP66/68
- 防爆证书号: TUV 17 ATEX 8017 IECEx TUR 17.0011
- 性能: 通过RoHS测试



- Material: Nickel-plated brass
- Temperature range: Min -40°C, max 100°C
- Explosion Class: Ⓜ II2 GD Exeb IIC Gb Extb IIIC Db IP66/68
- Certificate No.: TUV 17 ATEX 8017 IECEx TUR 17.0011
- Properties: Passed RoHS

规格型号 Article No.	外螺纹F Outer Thread mm	扳手尺寸S Wrench Size mm	最大外径E Maximum Outer mm	总长度L Total Length mm	螺纹长度L1 Thread Length mm	一字槽深度 Slot Depth mm
DPM.C-EX-M12	M12×1.5	2	Φ14	9	6	1.8
DPM.C-EX-M16	M16×1.5	2	Φ18	10	7	1.8
DPM.C-EX-M18	M18×1.5	2	Φ21	10	7	1.8
DPM.C-EX-M20	M20×1.5	2	Φ23	10	7	1.8
DPM.C-EX-M22	M22×1.5	2	Φ25	10	7	1.8
DPM.C-EX-M24	M24×1.5	2	Φ27	10	7	1.8
DPM.C-EX-M25	M25×1.5	2	Φ28	10	7	1.8
DPM.C-EX-M27	M27×2.0	2	Φ30	12	8	1.8
DPM.C-EX-M30	M30×2.0	2	Φ33	12	8	1.8
DPM.C-EX-M32	M32×1.5	2	Φ35	12	8	1.8
DPM.C-EX-M33	M33×2.0	2	Φ36	12	8	1.8
DPM.C-EX-M36	M36×2.0	2	Φ39	12	8	1.8
DPM.C-EX-M40	M40×1.5	2.5	Φ44	15	9	2.5
DPM.C-EX-M48	M48×2.0	2.5	Φ52	15	9	2.5
DPM.C-EX-M50	M50×1.5	2.5	Φ55	15	9	2.5
DPM.C-EX-M56	M56×2.0	2.5	Φ60	15	9	2.5
DPM.C-EX-M63	M63×1.5	2.5	Φ68	16	10	2.5
DPM.C-EX-M64	M64×2.0	2.5	Φ69	16	10	2.5

DPM.C-EX-N 防爆圆形金属闷盖 Explosion-Proof Circular Metal Plug

- 材料: 黄铜镀镍
- 温度: -40°C~100°C
- 防爆等级: Ⓜ II2 GD Exeb IIC Gb Extb IIIC Db IP66/68
- 防爆证书号: TUV 17 ATEX 8017 IECEx TUR 17.0011
- 性能: 通过RoHS测试



- Material: Nickel-plated brass
- Temperature range: Min -40°C, max 100°C
- Explosion Class: Ⓜ II2 GD Exeb IIC Gb Extb IIIC Db IP66/68
- Certificate No.: TUV 17 ATEX 8017 IECEx TUR 17.0011
- Properties: Passed RoHS

规格型号 Article No.	外螺纹F Outer Thread mm	扳手尺寸S Wrench Size mm	最大外径E Maximum Outer mm	总长度L Total Length mm	螺纹长度L1 Thread Length mm	一字槽深度 Slot Depth mm
DPM.C-EX-N3/8	NPT3/8"	2	Φ22	15.5	12	1.8
DPM.C-EX-N1/2	NPT1/2"	2	Φ26	18.5	15	1.8
DPM.C-EX-N3/4	NPT3/4"	2	Φ31	20	15	1.8
DPM.C-EX-N1	NPT1"	2	Φ37	23.5	19	1.8
DPM.C-EX-N11/4	NPT11/4"	2.5	Φ47	25.5	19	2.5
DPM.C-EX-N11/2	NPT11/2"	2.5	Φ53	26.5	20	2.5
DPM.C-EX-N2	NPT2"	2.5	Φ66	27.5	21	2.5
DPM.C-EX-N21/2	NPT21/2"	2.5	Φ78	38	30	5.5

DPM.C-EX-G 防爆圆形金属闷盖 Explosion-Proof Circular Metal Plug

- 材料: 黄铜镀镍
- 温度: -40°C~100°C
- 防爆等级: Ⓜ II2 GD Exeb IIC Gb Extb IIIC Db IP66/68
- 防爆证书号: TUV 17 ATEX 8017 IECEx TUR 17.0011
- 性能: 通过RoHS测试

- Material: Nickel-plated brass
- Temperature range: Min -40°C, max 100°C
- Explosion Class: Ⓜ II2 GD Exeb IIC Gb Extb IIIC Db IP66/68
- Certificate No.: TUV 17 ATEX 8017 IECEx TUR 17.0011
- Properties: Passed RoHS



规格型号 Article No.	外螺纹F Outer Thread mm	扳手尺寸S Wrench Size mm	最大外径E Maximum Outer mm	总长度L Total Length mm	螺纹长度L1 Thread Length mm	一字槽深度 Slot Depth mm
DPM.C-EX-G1/2	G1/2B	2	Φ25	11	8	1.8
DPM.C-EX-G3/4	G3/4B	2	Φ30	12	8	1.8
DPM.C-EX-G1	G1B	2	Φ38	13	9	1.8
DPM.C-EX-G11/4	G11/4B	2.5	Φ47	16	10	2.5

DPM.C-EX-P 防爆圆形金属闷盖 Explosion-Proof Circular Metal Plug

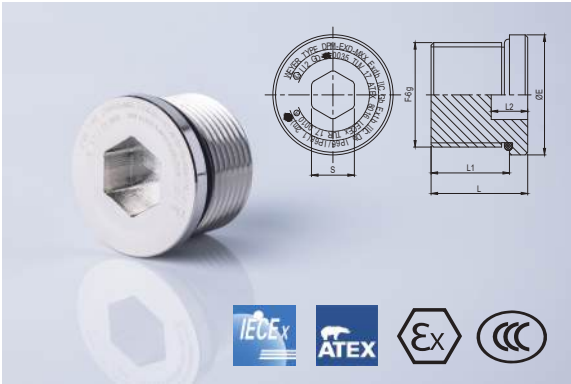
- 材料: 黄铜镀镍
- 温度: -40°C~100°C
- 防爆等级: Ⓜ II2 GD Exeb IIC Gb Extb IIIC Db IP66/68
- 防爆证书号: TUV 17 ATEX 8017 IECEx TUR 17.0011
- 性能: 通过RoHS测试

- Material: Nickel-plated brass
- Temperature range: Min -40°C, Max 100°C
- Explosion Class: Ⓜ II2 GD Exeb IIC Gb Extb IIIC Db IP66/68
- Certificate No.: TUV 17 ATEX 8017 IECEx TUR 17.0011
- Properties: Passed RoHS



规格型号 Article No.	外螺纹F Outer Thread mm	扳手尺寸S Wrench Size mm	最大外径E Maximum Outer mm	总长度L Total Length mm	螺纹长度L1 Thread Length mm	一字槽深度 Slot Depth mm
DPM.C-EX-P07	PG7	2	Φ15	9	6	1.8
DPM.C-EX-P09	PG9	2	Φ18	10	7	1.8
DPM.C-EX-P11	PG11	2	Φ21	10	7	1.8
DPM.C-EX-P13.5	PG13.5	2	Φ23	10	7	1.8
DPM.C-EX-P16	PG16	2	Φ25	10	7	1.8
DPM.C-EX-P21	PG21	2	Φ32	11	7	1.8
DPM.C-EX-P29	PG29	2	Φ40	12	8	1.8
DPM.C-EX-P36	PG36	2.5	Φ50	15	9	2.5
DPM.C-EX-P42	PG42	2.5	Φ59	15	9	2.5
DPM.C-EX-P48	PG48	2.5	Φ64	16	10	2.5

DPM-Exd-M 金属隔爆闷盖 Explosion-proof Metal Plug



- 材料: 金属为黄铜镀锌
- 防护等级: IP68
- 防爆等级: Exdb IIC Gb Ex tb IIIC Db
- 防爆证书: TUV17 ATEX 8016 IECEx TUR17.0010
- 性能: 通过ATEX测试

- Material: Nickel-plated brass
- IP Degree: IP68
- Explosion Class: Exdb IIC Gb Ex TB IIIC Db
- Certificate No.: TUV17 ATEX 8016 IECEx TUR 17.0010
- Properties: passed the ATEX test

★ 所有规格材质可以提供不锈钢DPMS-Exd-M系列
DPMS-Exd-M (stainless steel version) are available for all sizes

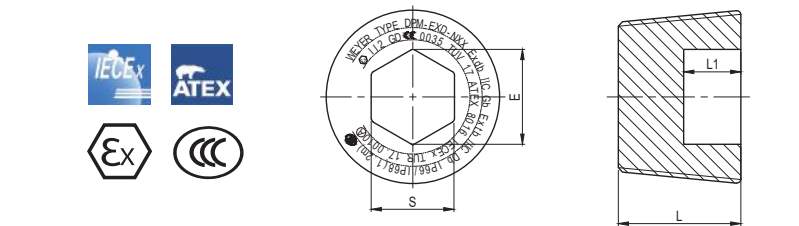
规格型号 Article No.	螺纹规格F Thread Dimension	最大外圆直径E Maximum Outer Circle Diameter mm	总长L Total Length mm	螺纹长度L1 GL mm	扳手槽深度L2 Wrench Slot Depth mm
DPM-Exd-M10	M10×1.0	Φ12	15	12	5
DPM-Exd-M12	M12×1.5	Φ14	18	15	5
DPM-Exd-M16	M16×1.5	Φ18	18	15	5
DPM-Exd-M18	M18×1.5	Φ21	18.5	15	5
DPM-Exd-M20	M20×1.5	Φ23	18.5	15	7
DPM-Exd-M22	M22×1.5	Φ25	19.5	16	7
DPM-Exd-M24	M24×1.5	Φ27	19.5	16	7
DPM-Exd-M25	M25×1.5	Φ28	19	16	7
DPM-Exd-M27	M27×2.0	Φ30	24	20	7
DPM-Exd-M30	M30×2.0	Φ33	24	20	7
DPM-Exd-M32	M32×1.5	Φ35	24	20	9
DPM-Exd-M33	M33×2.0	Φ36	24	20	9
DPM-Exd-M36	M36×2.0	Φ39	24	20	9
DPM-Exd-M40	M40×1.5	Φ44	25	20	9
DPM-Exd-M48	M48×2.0	Φ52	26	21	9
DPM-Exd-M50	M50×1.5	Φ55	26	21	9
DPM-Exd-M56	M56×2.0	Φ60	27	21	10
DPM-Exd-M63	M63×1.5	Φ68	27	21	14
DPM-Exd-M64	M64×2.0	Φ69	27	21	14

DPM-Exd-N 金属隔爆闷盖 Explosion-proof Metal Plug



- 材料: 金属为黄铜镀锌
- 防护等级: IP68
- 防爆等级: Exdb IIC Gb Ex tb IIIC Db
- 防爆证书: TUV17 ATEX 8016 IECEx TUR17.0010
- 性能: 通过ATEX测试

- Material: Nickel-plated brass
- IP Degree: IP68
- Explosion Class: Exdb IIC Gb Ex TB IIIC Db
- Certificate No.: TUV17 ATEX 8016 IECEx TUR 17.0010
- Properties: Passed the ATEX test



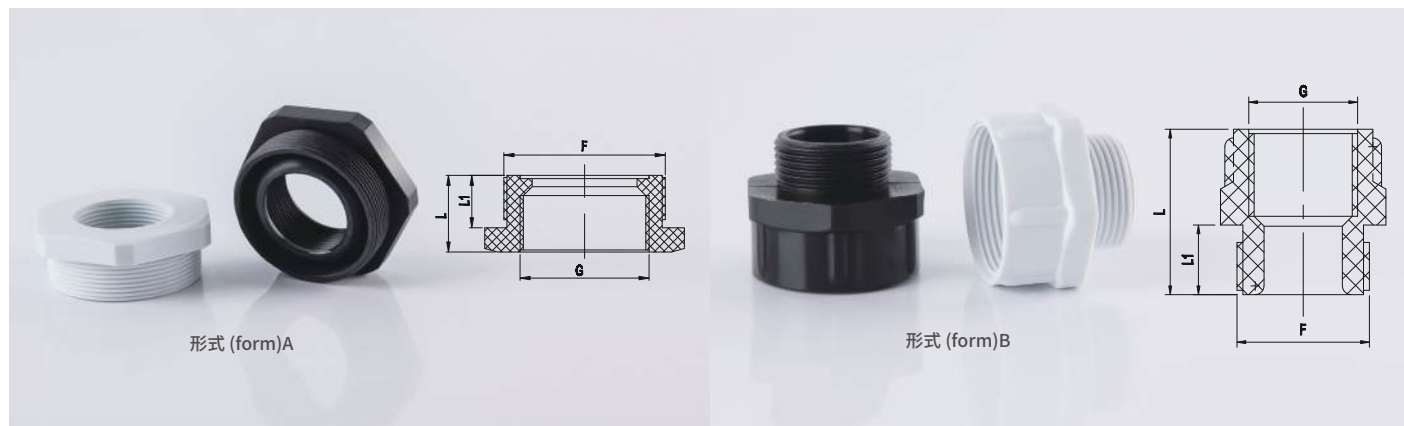
规格型号 Article No.	螺纹规格 Thread Dimension	扳手尺寸 SW1/SW2 mm	扳手对角尺寸 Wrench Angle Size mm	扳手槽深度 Wrench Slot depth mm	螺纹长度 GL mm
DPM-Exd-N3/8	NPT3/8"	7.2	8.5	5	12
DPM-Exd-N1/2	NPT1/2"	10.2	12	7	15
DPM-Exd-N3/4	NPT3/4"	14.2	16.5	7	15
DPM-Exd-N1	NPT3/1"	17.2	20	9	19
DPM-Exd-N11/4	NPT11/4"	24.2	28	9	19
DPM-Exd-N11/2	NPT11/2"	27.2	31.5	9	20
DPM-Exd-N2	NPT2"	36.2	41.5	10	21
DPM-Exd-N21/2	NPT21/2"	36.2	41.5	14	30

★ 所有规格材质可以提供不锈钢DPMS-Exd-N系列
DPMS-Exd-N (stainless steel version) are available for all sizes

REK 尼龙减缩环 Polyamide Reducer

- 材料: 尼龙
- 颜色: 灰白色(RAL 7035), 黑色(RAL 9005)
- 温度: -40°C~100°C
- 防护等级: 当使用合适密封圈(O-ring/FR)时达IP68

- Material: Polyamide
- Color: Grey white (RAL 7035), black (RAL 9005)
- Temperature range: Min -40°C, max 100°C
- IP degree: When use appropriate O-ring/FR, it can reach IP68



REK-P 尼龙减缩环-PG制螺纹 PG Thread

规格型号 Article No.	外螺纹规格 Outer Thread	内螺纹规格 Inner Thread	螺纹长度L1 Thread Length mm	总长度L Total Length mm	扳手尺寸SW Wrench Size mm	形式 Form	包装单位 Packet
* REK-P09/P07 #	PG9	PG7	8	19	19	B	100
* REK-P11/P09 #	PG11	PG9	8	22	22	B	100
* REK-P13.5/P11 #	PG13.5	PG11	9	24	24	B	100
* REK-P16/P11 #	PG16	PG11	9	24	23	B	100
* REK-P16/P13.5 #	PG16	PG13.5	10	27	27	B	100
* REK-P21/P16 #	PG21	PG16	11	15	33	A	100
* REK-P29/P21 #	PG29	PG21	11	17	40	A	50
* REK-P36/P29 #	PG36	PG29	18	24	50	A	50

REK-M 尼龙减缩环-公制螺纹 Metric Thread

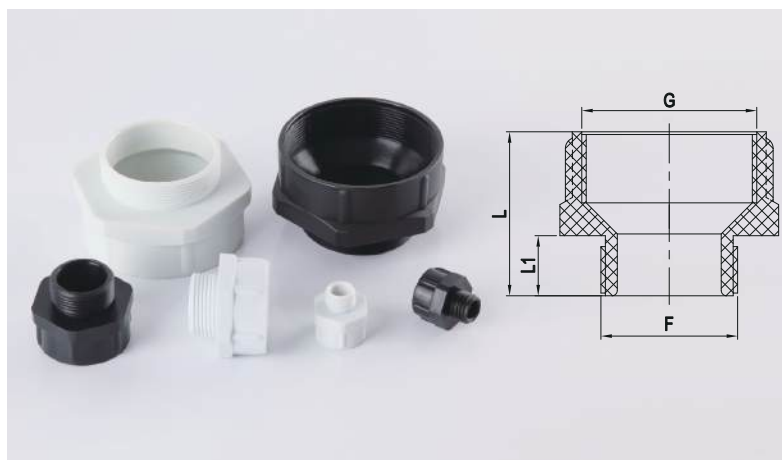
规格型号 Article No.	外螺纹规格 Outer Thread	内螺纹规格 Inner Thread	螺纹长度L1 Thread Length mm	总长度L Total Length mm	扳手尺寸SW Wrench Size mm	形式 Form	包装单位 Packet
REK-M16/M12 #	M16×1.5	M12×1.5	8	12	18	A	100
REK-M20/M16 #	M20×1.5	M16×1.5	9	13	24	A	100
REK-M25/M16 #	M25×1.5	M16×1.5	11	16	29	A	100
REK-M25/M18 #	M25×1.5	M18×1.5	11	16	29	A	100
REK-M25/M20 #	M25×1.5	M20×1.5	11	16	29	A	100
REK-M32/M20 #	M32×1.5	M20×1.5	11	16	36	A	50
REK-M32/M24 #	M32×1.5	M24×1.5	11	16	36	A	50
REK-M32/M25 #	M32×1.5	M25×1.5	11	16	36	A	50
REK-M32/M27 #	M32×1.5	M27×2.0	11	16	36	A	50
REK-M40/M25 #	M40×1.5	M25×1.5	13	19	45	A	25
REK-M40/M30 #	M40×1.5	M30×2.0	13	19	45	A	25
REK-M40/M32 #	M40×1.5	M32×1.5	13	19	45	A	25
REK-M50/M32 #	M50×1.5	M32×1.5	14	22	55	A	20
REK-M50/M40 #	M50×1.5	M40×1.5	14	22	55	A	10
REK-M63/M40 #	M63×1.5	M40×1.5	15	24	68	A	10
REK-M63/M50 #	M63×1.5	M50×1.5	15	24	68	A	10

★ 订货编号: #=B(黑色), G(灰白色) Order number: #=B(Black), G(Grey white)
所有打*暂未开发 All article No. marked * hasn't been developed

EWK 尼龙增扩环 Polyamide Enlargement

- 材料: 尼龙
- 颜色: 灰白色(RAL 7035),黑色(RAL 9005)
- 温度: -40°C~100°C
- 防水等级: 当使用合适密封圈(O-ring/FR)时达IP68

- Material: Polyamide
- Color: Grey white (RAL 7035), Black (RAL 9005)
- Temperature range: Min-40°C, max100°C
- IP degree: When use appropriate O-ring/FR, it can reach IP68



EWK-P 尼龙增扩环-PG 螺纹 PG Thread

规格型号 Article No.	外螺纹规格 Outer Thread	内螺纹规格 Inner Thread	螺纹长度L1 Thread Length mm	总长度L Total Length mm	扳手尺寸SW Wrench Size mm	包装单位 Packet
EWK-P07/P09 #	PG7	PG9	8	20	19	100
EWK-P09/P11 #	PG9	PG11	8	23	23	100
EWK-P11/P13.5 #	PG11	PG13.5	8	23	24	100
EWK-P11/P16 #	PG11	PG16	8	25	27	100
EWK-P13.5/P16 #	PG13.5	PG16	9	26	27	100
EWK-P16/P21 #	PG16	PG21	10	29	33	50
EWK-P21/P29 #	PG21	PG29	10	32	42	50
EWK-P29/P36 #	PG29	PG36	10	35	53	25
* EWK-P36/P42 #	PG36	PG42	13	41	60	10
* EWK-P42/P48 #	PG42	PG48	15	46	65	10

EWK-M 尼龙增扩环-公制螺纹 Metric Thread

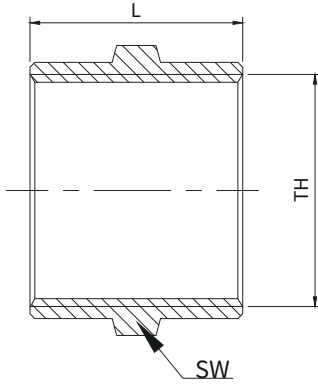
规格型号 Article No.	外螺纹规格 Outer Thread	内螺纹规格 Inner Thread	螺纹长度L1 Thread Length mm	总长度L Total Length mm	扳手尺寸SW Wrench Size mm	包装单位 Packet
EWK-M12/M16 #	M12×1.5	M16×1.5	8	22	20	100
EWK-M16/M20 #	M16×1.5	M20×1.5	8	23	24	100
EWK-M20/M25 #	M20×1.5	M25×1.5	9	27	30	100
EWK-M25/M32 #	M25×1.5	M32×1.5	11	30	36	50
EWK-M32/M40 #	M32×1.5	M40×1.5	11	34	45	50
EWK-M40/M50 #	M40×1.5	M50×1.5	13	37	55	25
EWK-M50/M63 #	M50×1.5	M63×1.5	14	41	68	10

★ 订货编号: #=B(黑色), G(灰白色) Order number: #=B(Black), G(Grey white)
所有打*暂未开发 All article No. marked * hasn't been developed

VBM 金属内螺纹连接套 VBM-Metal Coupling Sleeve With Female Thread

- 材料: 黄铜镀镍
- 性能: 通过RoHS测试

- Material: Nickel-plated brass
- Properties: Passed RoHS



VBM-M 公制螺纹 Metric Thread

规格型号 Article No.	内螺纹规格TH Inner Thread	总长度L Total Length	扳手尺寸SW Wrench Size	包装单位 Packet
VBM-M10	M10×1.5	16	12	50
VBM-M12	M12×1.5	16	14	50
VBM-M16	M16×1.5	18	18	50
VBM-M18	M18×1.5	22	21	32
VBM-M20	M20×1.5	22	23	32
VBM-M24	M24×1.5	22	27	36
VBM-M25	M25×1.5	22	28	36
VBM-M27	M27×2.0	22	30	36
VBM-M32	M32×1.5	24	36	18
VBM-M36	M36×2.0	28	40	18
VBM-M40	M40×1.5	30	45	8
VBM-M48	M48×2.0	35	52	8
VBM-M50	M50×1.5	35	55	8
VBM-M63	M63×1.5	42	70	2

VBM-P PG 制螺纹 PG Thread

规格型号 Article No.	内螺纹规格TH Inner Thread	总长度L Total Length	扳手尺寸SW Wrench Size	包装单位 Packet
VBM-P07	PG7	15	15	50
VBM-P11	PG9	15	18	50
VBM-P09	PG11	18	22	32
VBM-P13.5	PG13.5	22	24	32
VBM-P16	PG16	22	26	36
VBM-P21	PG21	24	32	18
VBM-P29	PG29	30	40	8
VBM-P36	PG36	35	50	8
VBM-P48	PG48	42.5	65	2

VBM-G 管螺纹 G Thread

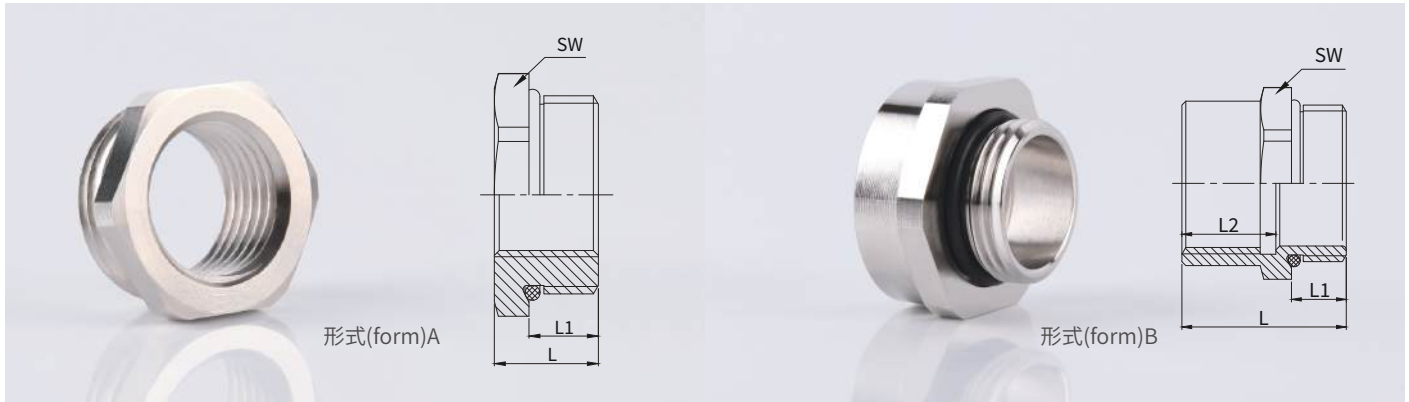
规格型号 Article No.	内螺纹规格TH Inner Thread	总长度D Total Length	扳手尺寸SW Wrench Size	包装单位 Packet
VBM-G1/4	G1/4"	22	17	75
VBM-G3/8	G3/8"	18	20	50
VBM-G1/2	G1/2"	30	24	32
VBM-G3/4	G3/4"	24	30	18
VBM-G1	G1"	24	38	8
VBM-G1 1/4	G1 1/4"	26	45	8
VBM-G1 1/2	G1 1/2"	30	52	8
VBM-G2	G2"	38	65	2
VBM-G2 1/2	G2 1/2"	38	80	2
VBM-G3	G3"	35	100	2

★ 所有规格材质可以提供不锈钢VBMS系列和铝合金VBMAL系列
VBMS (stainless steel version) and VBMAL (aluminum version)
are available for all sizes

REM 六角金属减缩环 Metal Reducer

- 材料: 外部金属为黄铜镀镍,密封件为改性橡胶
- 防护等级: IP68
- 性能: 通过RoHS测试

- Body material: Nickel-plated brass, sealing material: modified rubber
- IP degree: IP68
- Properties: Passed RoHS



REM-P 六角形金属减缩环 PG 螺纹 PG Thread Reducer

规格型号 Article No.	外螺纹规格 Outer Thread	内螺纹规格 Inner Thread	螺纹长度L1 Thread Length mm	总长度L Total Length mm	扳手尺寸SW Wrench Size mm	形式 Form	包装单位 Packet
REM-P09/P07	PG 9	PG 7	7	10	18	A	50
REM-P11/P09	PG11	PG 9	7	10.5	21	A	32
REM-P13.5/P11	PG 13.5	PG11	7	10.5	23	A	32
REM-P16/P13.5	PG 16	PG 13.5	7	10.5	26	A	18
REM-P21/P16	PG 21	PG 16	7	11	32	A	18
REM-P29/P21	PG 29	PG 21	8	13	45	A	8
REM-P36/P29	PG 36	PG 29	9	14	50	A	8
REM-P42/P36	PG 42	PG 36	9	14	58	A	6
REM-P48/P42	PG 48	PG 42	10	16	65	A	6

REM-M 六角形金属减缩环公制螺纹 Metric Thread Reducer

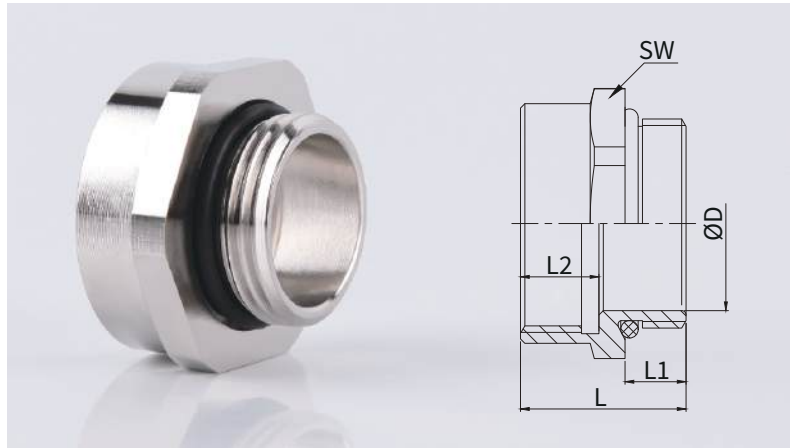
规格型号 Article No.	外螺纹规格 Outer Thread	内螺纹规格 Inner Thread	螺纹长度L1 Thread Length mm	螺纹长度L2 Thread Length mm	总长度L Total Length mm	扳手尺寸SW Wrench Size mm	形式 Form	包装单位 Packet
REM-M16/M12	M16×1.5	M12×1.5	7		10	18	A	50
REM-M18/M16	M18×1.5	M16×1.5	7	12	20.5	20	B	32
REM-M20/M16	M20×1.5	M16×1.5	7		10.5	22	A	32
REM-M20/M18	M20×1.5	M18×1.5	7	12	21	22	B	32
REM-M24/M20	M24×1.5	M20×1.5	7		10.5	27	A	18
REM-M25/M20	M25×1.5	M20×1.5	7		10.5	28	A	18
REM-M27/M25	M27×2.0	M25×1.5	8	14	24	30	B	18
REM-M30/M27	M30×2.0	M27×2.0	8	14	24	34	B	18
REM-M32/M25	M32×1.5	M25×1.5	8		12	36	A	18
REM-M36/M32	M36×2.0	M32×1.5	8		12	40	A	8
REM-M40/M32	M40×1.5	M32×1.5	9		14	45	A	8
REM-M50/M40	M50×1.5	M40×1.5	9		14	55	A	8
REM-M63/M50	M63×1.5	M50×1.5	10		16	70	A	6

- ★ 所有规格材质可以提供不锈钢REMS系列和铝合金REMAL系列
 REMS (stainless steel version) and REMAL (aluminum version) are available for all sizes
 可定制各类变径接头 Various reducer joints can be customized

EWM 金属增扩环 Metal Enlargement

- 材料: 黄铜镀镍, 密封件为改性橡胶
- 防护等级: IP68
- 性能: 通过RoHS测试

- Body material: Nickel-plated brass, sealing material: modified rubber
- IP degree: IP68
- Properties: Passed RoHS



EWM-M 金属增扩环 Metric Thread

规格型号 Article No.	外螺纹规格 Outer Thread	内螺纹规格 Inner Thread	螺纹长度L1 Thread Length mm	螺纹长度L2 Thread Length mm	内孔 ΦD mm	总长度L Total Length mm	扳手尺寸SW Wrench Size mm	包装单位 Packet
EWM-M12/M16	M12×1.5	M16×1.5	6	8	8	16	19	32
EWM-M16/M18	M16×1.5	M18×1.5	7	8.5	12	17.5	22	32
EWM-M16/M20	M16×1.5	M20×1.5	7	9.5	12	18.5	23	32
EWM-M18/M20	M18×1.5	M20×1.5	7	9.5	14	18.5	23	32
EWM-M20/M25	M20×1.5	M25×1.5	7	9	16	18	28	18
EWM-M25/M30	M25×1.5	M30×2.0	7	10.5	21	20	34	18
EWM-M25/M32	M25×1.5	M32×1.5	7	10.5	21	20	36	18
EWM-M30/M36	M30×2.0	M36×2.0	8	12.5	25	23	40	8
EWM-M32/M40	M32×1.5	M40×1.5	8	12.5	27	23.5	45	8
EWM-M36/M48	M36×2.0	M48×2.0	8	16	31	27	52	4
EWM-M40/M50	M40×1.5	M50×1.5	9	16	35	28	55	8
EWM-M50/M63	M50×1.5	M63×1.5	10	17	44	30.5	70	3

EWM-P 金属增扩环 PG Thread

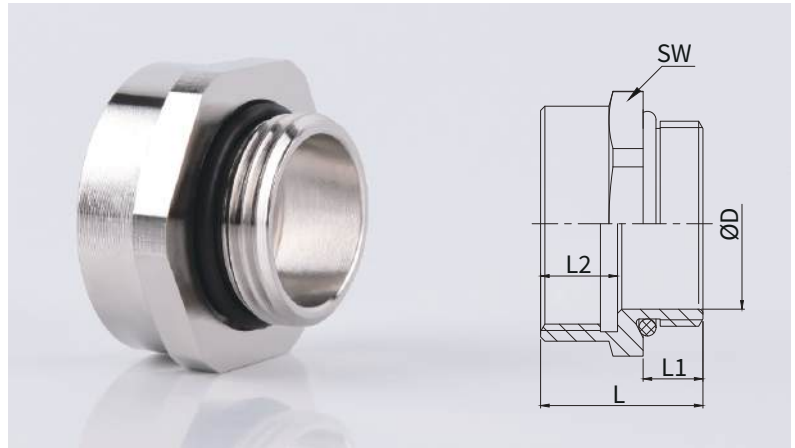
规格型号 Article No.	外螺纹规格 Outer Thread	内螺纹规格 Inner Thread	螺纹长度L1 Thread Length mm	螺纹长度L2 Thread Length mm	内孔 Φ D mm	总长度L Total Length mm	扳手尺寸SW Wrench Size mm	包装单位 Packet
EWM-P07/P09	PG7	PG9	6	8	9	16	18	50
EWM-P09/P11	PG9	PG11	7	9	11.5	18	22	32
EWM-P09/P13.5	PG9	PG13.5	7	9	11.5	18	24	32
EWM-P11/P13.5	PG11	PG13.5	7	9	15	18	24	32
EWM-P11/P16	PG11	PG16	7	11	15	20	26	18
EWM-P11/P21	PG11	PG21	7	12.5	15	22	32	18
EWM-P13.5/P16	PG13.5	PG16	7	11	17	20	26	32
EWM-P13.5/P21	PG13.5	PG21	7	13	17	22	32	18
EWM-P16/P21	PG16	PG21	7	12.5	19	22	32	18
EWM-P16/P29	PG16	PG29	7	13	19	23	40	8
EWM-P21/P29	PG21	PG29	7	13	23	22	40	8
EWM-P29/P36	PG29	PG36	8	16.5	32.5	27.5	50	8
EWM-P36/P42	PG36	PG42	9	18	42.5	31	58	2
EWM-P42/P48	PG42	PG48	10	19	48	33	65	2

- ★ 所有规格材质可以提供不锈钢EWMs系列和铝合金EWMAL系列
EWMs (stainless steel version) and EWMAL (aluminum version) are available for all sizes

EWM 金属增扩环 Metal Enlargement

- 材料: 黄铜镀镍, 密封件为改性橡胶
- 防护等级: IP68
- 性能: 通过RoHS测试

- Body material: Nickel-plated brass, sealing material: modified rubber
- IP degree: IP68
- Properties: Passed RoHS



EWM-G 金属增扩环 G Thread

规格型号 Article No.	外螺纹规格 Outer Thread	内螺纹规格 Inner Thread	螺纹长度L1 Thread Length mm	螺纹长度L2 Thread Length mm	内孔 ΦD mm	总长度L Total Length mm	扳手尺寸SW Wrench Size mm	包装单位 Packet
EWM-G1/4/G3/8	G1/4"	G3/8"	8	10.5	9	20.5	20	32
EWM-G1/4/G1/2	G1/4"	G1/2"	8	10.5	9	20.5	24	32
EWM-G3/8/G1/2	G3/8"	G1/2"	8	10.5	12	20.5	24	32
EWM-G1/2/G1	G1/2"	G1"	8	13	16	23.5	36	8
EWM-G1/2/G1 1/4	G1/2"	G1 1/4"	8	16	16	27	45	8
EWM-G3/4/G1	G3/4"	G1"	8	16	21	26.5	36	8
EWM-G1/G1 1/4	G1"	G1 1/4"	13	16	27	32	45	8
EWM-G1 1/4/G1 1/2	G1 1/4"	G1 1/2"	13	15	34	31	52	4
EWM-G2/G2 1/2	G2"	G2 1/2"	13	18	53	34.5	80	2
EWM-G3/G3	G3"	G3"	11	17	79	32	100	2

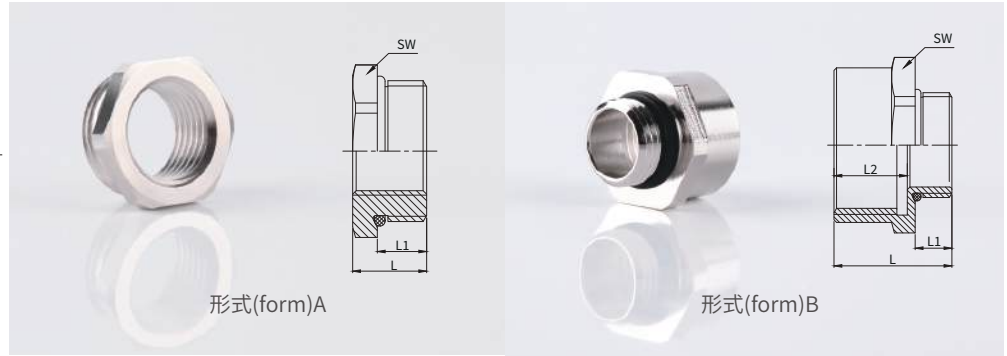
EWM-N 金属增扩环 NPT Thread

规格型号 Article No.	外螺纹规格 Outer Thread	内螺纹规格 Inner Thread	螺纹长度L1 Thread Length mm	螺纹长度L2 Thread Length mm	内孔 ΦD mm	总长度L Total Length mm	扳手尺寸SW Wrench Size mm	包装单位 Packet
EWM-N1/2/N3/4	NPT1/2"	NPT3/4"	13	14	15	29	30	18
EWM-N3/4/N1	NPT3/4"	NPT1"	13	18	20	34	38	8
EWM-N3/4/N1 1/4	NPT3/4"	NPT1 1/4"	13	20	20	36.5	45	8
EWM-N3/4/N1 1/2	NPT3/4"	NPT1 1/2"	13	20	20	35.5	52	4
EWM-N1/N1 1/4	NPT1"	NPT1 1/4"	16	20	26	39	45	8
EWM-N1/N2	NPT1"	NPT2"	16	20	26	39	65	8
EWM-N1 1/4/N1 1/2	NPT1 1/4"	NPT1 1/2"	16	20	34	39	52	4
EWM-N1 1/2/N2	NPT1 1/2"	NPT2"	18	20	40	41	65	2

- ★ 可同时开发EWMAL系列铝合金材质接头
Note: EWMAL (aluminum version) can be developed.

ADM 金属变径环 Metal Adaptor

- 材料: 黄铜镀镍, 密封件为改性橡胶
 - 防护等级: IP68
 - 性能: 通过RoHS测试
-
- Body material: Nickel-plated brass, sealing material: Modified rubber
 - IP degree: IP68
 - Properties: Passed RoHS



ADM-M/P 金属变径环-公制螺纹转 PG 制螺纹 Metric Thread To PG Thread

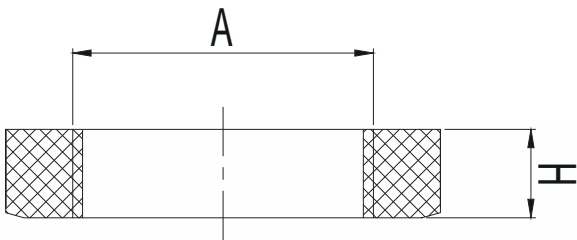
规格型号 Article No.	外螺纹规格 Outer Thread	内螺纹规格 Inner Thread	螺纹长度L1 Thread Length mm	螺纹长度L2 Thread Length mm	总长度L Total Length mm	扳手尺寸SW Wrench Size mm	形式 Form	包装单位 Packet
ADM-M16/P07	M16×1.5	PG7	7	-	10	18	A	50
ADM-M16/P09	M16×1.5	PG9	7	12	20.5	18	B	75
ADM-M16/P11	M16×1.5	PG11	7	12	20.5	22	B	32
ADM-M18/P09	M18×1.5	PG9	7	12	20.5	20	B	32
ADM-M18/P11	M18×1.5	PG11	7	12	20.5	22	B	32
ADM-M18/P13.5	M18×1.5	PG13.5	7	12	20.5	24	B	32
ADM-M20/P11	M20×1.5	PG11	7	12	20.5	22	B	32
ADM-M20/P13.5	M20×1.5	PG13.5	7	12	20.5	24	B	32
ADM-M20/P16	M20×1.5	PG16	7	12	20.5	26	B	36
ADM-M25/P16	M25×1.5	PG16	7	12	21	28	B	36
ADM-M25/P21	M25×1.5	PG21	7	14	23	32	B	18
ADM-M27/P13.5	M27×2.0	PG13.5	8	-	12	30	A	18
* ADM-M27/P16	M27×2.0	PG16	8	-	12	30	A	18
ADM-M32/P16	M32×1.5	PG16	8	-	12	36	A	18
ADM-M32/P21	M32×1.5	PG21	8	-	12	36	A	18
ADM-M32/P29	M32×1.5	PG29	8	14	24	40	B	8
ADM-M40/P29	M40×1.5	PG29	9	14	25	45	B	8
ADM-M40/P36	M40×1.5	PG36	9	17	28	50	B	8
ADM-M50/P21	M50×1.5	PG21	9	-	14	55	A	8
ADM-M50/P29	M50×1.5	PG29	9	-	14	55	A	8

ADM-P/M 金属变径环-PG 制螺纹转公制螺纹 PG Thread To Metric Thread

规格型号 Article No.	外螺纹规格 Outer Thread	内螺纹规格 Inner Thread	螺纹长度L1 Thread Length mm	螺纹长度L2 Thread Length mm	总长度L Total Length mm	扳手尺寸SW Wrench Size mm	形式 Form	包装单位 Packet
ADM-P09/M16	PG9	M16×1.5	7	12	20.5	19	B	75
ADM-P09/M20	PG9	M20×1.5	7	12	20.5	23	B	32
ADM-P11/M20	PG11	M20×1.5	7	12	20.5	23	B	32
ADM-P13.5/M20	PG13.5	M20×1.5	7	12	20.5	23	B	32
ADM-P16/M20	PG16	M20×1.5	7	12	20.5	26	B	18
ADM-P16/M25	PG16	M25×1.5	7	14	22.5	28	B	18
ADM-P21/M25	PG21	M25×1.5	7	14	23	32	B	18
ADM-P21/M32	PG21	M32×1.5	7	14	23	36	B	18
ADM-P21/M40	PG21	M40×1.5	7	17	26	45	B	8
ADM-P29/M40	PG29	M40×1.5	8	17	27	45	B	8
ADM-P36/M50	PG36	M50×1.5	9	17	28	55	B	8
ADM-P42/M63	PG42	M63×1.5	9	17	28.5	70	B	3

- ★ 所有规格材质可以提供不锈钢ADMS系列和铝合金ADMAL系列
 ADMS (stainless steel version) and ADMAL (aluminum version) are available for all sizes
 所有打*暂未开发 All article No. marked * hasn't been developed

GMK 尼龙螺母 Polyamide Lock Nut



- 材料: 尼龙
- 颜色: 灰白色(RAL 7035),深灰色(RAL 7037),黑色(RAL 9005)
- 温度: -40°C~100°C

- Material: Polyamide
- Color: Grey white (RAL 7035), dark grey (RAL 7037), black (RAL 9005)
- Temperature range: Min -40°C, max 100°C

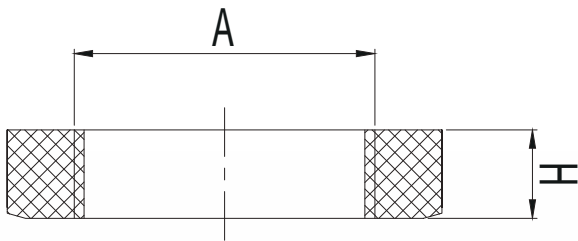
GMK-M 尼龙螺母 公制螺纹 Metric Thread

规格型号 Article No.	螺纹规格A Thread Dimension	扳手尺寸SW Wrench Size mm	厚度H Thickness mm	包装单位 Packet
GMK-M10 #	M10×1.0	15	5	50
GMK-M12 #	M12×1.5	19	5	50
GMK-M16 #	M16×1.5	22	5	50
GMK-M18 #	M18×1.5	24	5	50
GMK-M20 #	M20×1.5	27	6	50
GMK-M22 #	M22×1.5	30	6	50
GMK-M24 #	M24×1.5	32	6	50
GMK-M25 #	M25×1.5	32	6	25
GMK-M27 #	M27×2.0	36	7	25
GMK-M30 #	M30×2.0	36	7	25
GMK-M32 #	M32×1.5	41	7	25
GMK-M33 #	M33×2.0	41	7	25
GMK-M36 #	M36×2.0	45	7	25
GMK-M40 #	M40×1.5	50	8	25
GMK-M42 #	M42×2.0	50	8	20
GMK-M48 #	M48×2.0	60	8	20
GMK-M50 #	M50×1.5	60	8	20
GMK-M56 #	M56×2.0	65	8	20
GMK-M60 #	M60×2.0	70	8	20
GMK-M63 #	M63×1.5	75	8	20
GMK-M64 #	M64×2.0	75	8	20
GMK-M72 #	M72×2.0	86	9	10
GMK-M75 #	M75×2.0	86	9	10

★ 订货编号: #=B(黑色), DG(深灰色)、G(灰白色)

Order number: #=B(Black), DG(Dark grey)、G(Grey white)

GMK 尼龙螺母 Polyamide Lock Nut



- 材料: 尼龙
- 颜色: 灰白色(RAL 7035),深灰色(RAL 7037),黑色(RAL 9005)
- 温度: -40°C~100°C

- Material: Polyamide
- Color: Grey white (RAL 7035), dark grey (RAL 7037), black (RAL 9005)
- Temperature range: Min -40°C, max 100°C

★ 订货编号: #=B(黑色), DG(深灰色)、G(灰白色)
Order number: #=B(Black), DG(Dark grey), G(Grey white)

所有打*暂未开发
All article No. marked * hasn't been developed

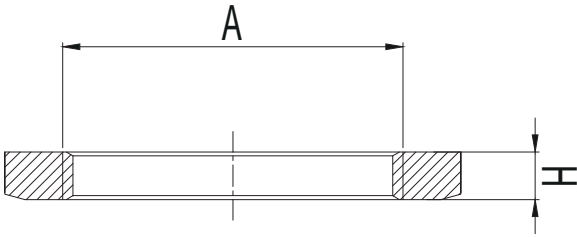
GMK-P 尼龙螺母 PG 制螺纹 PG Thread

规格型号 Article No.	螺纹规格A Thread Dimension mm	扳手尺寸SW Wrench Size mm	厚度H Thickness mm	包装单位 Packet
GMK-P07 #	PG7	19	5	50
GMK-P09 #	PG9	22	5	50
GMK-P11 #	PG11	24	5	50
GMK-P13.5 #	PG13.5	27	6	50
GMK-P16 #	PG16	30	6	50
GMK-P21 #	PG21	36	7	25
GMK-P29 #	PG29	45	7	25
GMK-P36 #	PG36	60	8	20
GMK-P42 #	PG42	65	8	20
GMK-P48 #	PG48	70	8	20

GMK-G 尼龙螺母 G 制螺纹 G Thread

规格型号 Article No.	螺纹规格A Thread Dimension mm	扳手尺寸SW Wrench Size mm	厚度H Thickness mm	包装单位 Packet
* GMK-G1/4 #	G1/4"	19	5	50
* GMK-G3/8 #	G3/8"	22	5	50
* GMK-G1/2 #	G1/2"	27	6	50
* GMK-G3/4 #	G3/4"	36	7	25
GMK-G1 #	G1"	41	7	25
GMK-G1 1/4 #	G1 1/4"	50	8	20
* GMK-G1 1/2 #	G1 1/2"	60	8	20
* GMK-G2 #	G2"	70	8	20

GM 金属螺母 Metal Lock Nut



- 材料: 黄铜镀镍
 - 性能: 通过RoHS测试
-
- Material: Nickel-plated brass
 - Properties: Passed RoHS



GM-M 金属螺母 公制螺纹 Metric Thread

规格型号 Article No.	螺纹规格A Thread Dimension mm	扳手尺寸SW Wrench Size mm	厚度H Thickness mm	包装单位 Packet
GM-M10	M10×1.0	12	2.5	50
GM-M12	M12×1.5	15	2.8	50
GM-M16	M16×1.5	19	2.8	50
GM-M18	M18×1.5	21	3	50
GM-M20	M20×1.5	23	3	50
GM-M22	M22×1.5	26	3	50
GM-M24	M24×1.5	28	3.5	50
GM-M25	M25×1.5	30	3.5	25
GM-M27	M27×2.0	32	4	25
GM-M30	M30×2.0	34	4	25
GM-M32	M32×1.5	36	4	20
GM-M33	M33×2.0	36	4	20
GM-M36	M36×2.0	40	4	20
GM-M40	M40×1.5	45	5	20
GM-M42	M42×2.0	46	5	20
GM-M48	M48×2.0	55	5	20
GM-M50	M50×1.5	55	5	20
GM-M56	M56×2.0	60	5	20
GM-M60	M60×2.0	65	5	20
GM-M63	M63×1.5	70	6	20
GM-M64	M64×2.0	70	6	20
GM-M70	M70×2.0	80	7	10
GM-M72	M72×2.0	80	7	10
GM-M75	M75×2.0	86	7	10
GM-M76	M76×2.0	86	7	10
GM-M80	M80×2.0	86	7	10
GM-M85	M85×2.0	95	7	10
GM-M88	M88×2.0	100	7	10

GM-P 金属螺母 PG 制螺纹 PG Thread

规格型号 Article No.	螺纹规格A Thread Dimension mm	扳手尺寸SW Wrench Size mm	厚度H Thickness mm	包装单位 Packet
GM-P07	PG7	15	2.8	50
GM-P09	PG9	18	2.8	50
GM-P11	PG11	21	3	50
GM-P13.5	PG13.5	23	3	50
GM-P16	PG16	26	3	50
GM-P21	PG21	32	3.5	25
GM-P29	PG29	40	4	20
GM-P36	PG36	50	5	20
GM-P42	PG42	60	5	20
GM-P48	PG48	65	5.5	20

GM-G 金属螺母 管螺纹 G Thread

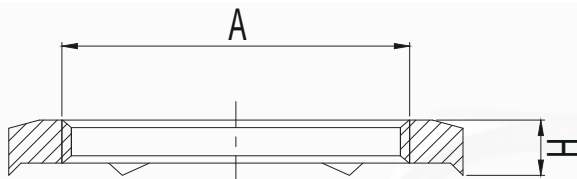
规格型号 Article No.	螺纹规格A Thread Dimension mm	扳手尺寸SW Wrench Size mm	厚度H Thickness mm	包装单位 Packet
GM-G3/8	G 3/8"	20	3	50
GM-G1/2	G 1/2"	20	4	50
GM-G3/4	G 3/4"	30	4	25
GM-G1	G 1"	40	5	20
GM-G1 1/4	G 1 1/4"	50	5	20
GM-G1 1/2	G 1 1/2"	55	6	20
GM-G2	G 2"	65	6	20
GM-G2 1/2	G 2 1/2"	86	8	10
GM-G3	G 3"	100	8	10

★ 所有规格材质可以提供不锈钢GMS系列和铝合金GMAL系列
GMS (stainless steel version) and GMAL (aluminum
version) are available for all sizes

GME-M 齿状金属螺母 Lock nut With Cutting Edges

齿状金属螺母, 更适合与屏蔽接头配合使用, 通过RoHS测试

Lock nut with cutting edges, which is more suitable for use with EMV gland, passed RoHS.



★ 所有规格材质可以提供不锈钢GMES系列和铝合金GMEAL系列

GMES (stainless steel version) and GMEAL (aluminum version) are available for all sizes

同时可提供PG螺纹的齿状金属螺母

We can also supply Lock nut with cutting edges with PG thread

GME-M 公制螺纹 Metric Thread

规格型号 Article No.	螺纹规格A Thread Dimension mm	扳手尺寸SW Wrench Size mm	厚度H Thickness mm	包装单位 Packet
GME-M12	M12×1.5	15	3.8	50
GME-M16	M16×1.5	19	3.8	50
GME-M20	M20×1.5	23	4	50
GME-M25	M25×1.5	30	4.5	25
GME-M32	M32×1.5	36	5	20
GME-M40	M40×1.5	45	6	20
GME-M50	M50×1.5	55	6	20
GME-M63	M63×1.5	70	7	20

HP 扣式闷盖 Hole Plug

- 材料: 尼龙, UL94-V2
- 颜色: 黑色(RAL 9005)
- 温度: -30°C~100°C
- 应用场合: 可作为预留或多余孔的封堵, 无需工具, 只要用手轻轻一按, 即可完成装配。适用3.2mm以下钢板

- Material: PA, UL94-V2
- Color: Black (RAL 9005)
- Temperature range: Min-30°C, max100°C
- Application: To cover the reserved or spare holes, and the assembly can be completed by gently pressing by hands without tools. Suitable for steel board below 3.2mm



规格型号 Article No.	钢板孔径A Aperture of the Steel Board mm	闷头外径D OD of the Plug mm	闷头厚度L1 Thickness of the Plug mm	总高度L Total Length mm	包装单位 Packet
HP-8	7.9	10.3	1.6	8.1	100
HP-10	9.5	13	1.6	10.5	100
HP-13	12.7	16.5	1.6	10.9	100
HP-16	15.9	19.5	1.6	10	100
HP-19	19	22.9	1.6	10	100
HP-22	22.2	25.8	1.6	11.3	100
HP-25	25.3	29	1.6	12.6	100
HP-30	30	34.2	1.6	12	100
HP-50	50	55	1.6	14.5	25

SB 扣式护线套 Snap Bushing

- 材料: 尼龙, UL94-V2
- 颜色: 黑色(RAL 9005)
- 温度: -30°C~100°C
- 应用场合: 可用于钣金通孔, 防止电缆被钣金孔划伤, 用于出线孔安装; 无需工具, 只要用手轻轻一按, 即可完成装配。适用3.2mm以下钢板。

- Material: Polyamide, UL94-V2
- Color: Black(RAL 9005)
- Temperature range: Min-30°C, max100°C
- Application: It can be used for through holes in sheet metal to prevent the cables from being scratched by the sheet metal holes. It is used for installing the outlet holes; no tools are required. Just press gently with your hand and the assembly can be completed. It is applicable to sheet metal with a thickness of 3.2mm or less.



规格型号 Article No.	钢板孔径A Aperture of the Steel Board mm	闷头外径D OD of the Plug mm	实线孔d ID of the Plug mm	护口厚度L1 Ferrule Thickness mm	总高度L Total Length mm	包装单位 Packet
SB-8	7.8	10.5	5.5	1.6	8	100
SB-10	9.5	12	6.5	1.6	10.5	100
SB-13	12.7	15	8	1.6	10.5	100
SB-16	15.9	19	12.5	1.6	10.5	100
SB-19	19	22	14.5	1.6	10.5	100
SB-22	22.2	24.5	18	1.6	11.5	100
SB-25	25.3	28.5	19.5	1.6	11.5	100
SB-30	30	33.5	24	1.6	11.5	100
SB-32	31.5	35	24	1.6	11.4	100
SB-38	38.1	42	29	1.6	11.4	100
SB-45	43.6	48	35.5	1.6	11.6	100
SB-55	55	60	50	1.6	15	100

O-ring O型密封圈 O-Ring



- 材质:改性橡胶
- 温度:-40°C~100°C
- 性能:通过RoHS测试
- 应用:防水、防尘

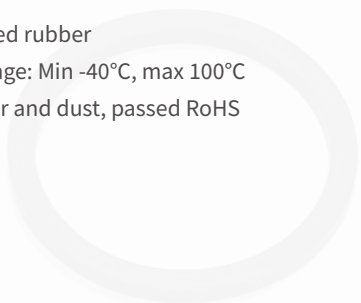
- Material: Modified rubber
- Temperature range: Min -40°C,max 100°C
- properties: passed RoHS
- Application: Protection against water, dust

规格型号 Article No.	适配尺寸 Fitting Size	内径 ID	外径 OD	线径 WD
O-ring 11	M10×1.0	8	10	1.5
O-ring 13	M12×1.5/PG7/G1/4	10	13	1.5
O-ring 16	M16×1.5/PG9	13	16	1.5
O-ring 18	M18×1.5/PG11	15	18	1.5
O-ring 20	M20×1.5/PG13.5	17	20	1.5
O-ring 22	M22×1.5/PG16	19	22	1.5
O-ring 25	M24×1.5	21	25	2.0
O-ring 26	M25×1.5	22	26	2.0
O-ring 28	M27×2.0	24	28	2.0
O-ring 29	PG21	25	29	2.0
O-ring 31	M30×2.0	27	31	2.0
O-ring 33	M32×1.5	29	33	2.0
O-ring 33	M33×2.0	29	33	2.0
O-ring 37	M36×2.0/PG29	33	37	2.0
O-ring 41	M40×1.5	37	41	2.0
O-ring 41	M42×2.0	37	41	2.0
O-ring 47	PG36	43	47	2.0
O-ring 49	M48×2.0	44	49	2.5
O-ring 51	M50×1.5	46	51	2.5
O-ring 55	PG42	50	55	2.5
O-ring 57	M56×2.0	52	57	2.5
O-ring 60	M60×2.0/PG48	55	60	2.5
O-ring 64	M63×1.5/M64×2.0	59	64	2.5
O-ring 13	G1/4"	10	13	1.5
O-ring 18×2.0	G3/8"	14	18	2.0
O-ring 21	G1/2"	17	21	2.0
O-ring 28G	G3/4"	23	28	2.5
O-ring 35G	G1"	29	35	3
O-ring 43G	G1 1/4"	37	43	3
O-ring 50G	G1 1/2"	44	50	3
O-ring 61G	G2"	55	61	3
O-ring 73	G2 1/2"	68.8	73	2.6
O-ring 89×3.0	G3"	83	89	3



- 材料:改性橡胶
- 温度:-40°C~100°C
- 特性:防水, 防尘,通过RoHS测试

- Material: modified rubber
- Temperature range: Min -40°C, max 100°C
- Properties: water and dust, passed RoHS



FR-P 扁平密封圈-PG 制螺纹 PG Thread

订货编号 Article No.	适配螺纹 For Thread	内径 ID mm	外径 OD mm	厚度 Thickness mm	包装单位 Packet
FR-P07	PG7	11.5	15	2	50
FR-P09	PG9	14	19	2	50
FR-P11	PG11	17.5	22	2	50
FR-P13.5	PG13.5	19	24	2	50
FR-P16	PG16	21	27	2	50
FR-P21	PG21	27	33	2.5	25
FR-P29	PG29	35.5	42	2.5	25
FR-P36	PG36	45.5	52	2.5	20
FR-P42	PG42	52.5	60	2.5	20
FR-P48	PG48	58	65	2.5	20

FR-M 扁平密封圈-公制螺纹 Metric Thread

订货编号 Article No.	适配螺纹 For Thread	内径 ID mm	外径 OD mm	厚度 Thickness mm	包装单位 Packet
FR-M10	M10×1.0	9	13	1.6	50
FR-M12	M12×1.5	10.5	15	1.6	50
FR-M16	M16×1.5	14.5	19	2	50
FR-M18	M18×1.5	16.5	22	2	50
FR-M20	M20×1.5	18.5	24	2	50
FR-M22	M22×1.5	20.5	26	2	50
FR-M24	M24×1.5	22.5	27	2	50
FR-M25	M25×1.5	23.5	30	2	25
FR-M27	M27×2.0	25	32	2	25
FR-M30	M30×2.0	28	33	2.5	25
FR-M32	M32×1.5	30.5	38	2.5	25
FR-M36	M36×2.0	34	42	2.5	25
FR-M40	M40×1.5	38.5	46	2.5	20
FR-M48	M48×2.0	46	52	2.5	20
FR-M50	M50×1.5	48.5	56	2.5	20
FR-M63	M63×1.5	61.5	67	2.5	20



- 材质:不含石棉垫片
- 温度:-40°C~200°C
- 特性:扁平垫圈,用于各种软管接头,抗震,保证防护等级达到IP68

- Material: Tesnit (asbestos-free)
- Temperature range: Min -40°C, max 200°C
- Properties: Flat-sealing is applied to all kinds of connectors, aseismatic, IP degree:IP68

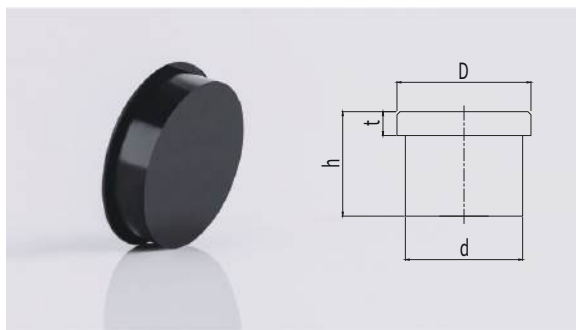
FRH-M 扁平密封圈-公制螺纹 Metric Thread

订货编号 Article No.	适配螺纹 For Thread	内径 ID	外径 OD	高度 Height	包装单位 Packet
FRH-M10	M10×1.0	10	15	1.5	50
FRH-M12	M12×1.5	12	17	1.5	50
FRH-M16	M16×1.5	16	21	1.5	50
FRH-M18	M18×1.5	18	23	1.5	50
FRH-M20	M20×1.5	20	27.5	1.5	50
FRH-M22	M22×1.5	22	27.5	1.5	50
FRH-M24	M24×1.5	24	29.5	1.5	50
FRH-M25	M25×1.5	25	35	1.5	25
FRH-M27	M27×2.0	27	35	1.5	25
FRH-M30	M30×2.0	30	37	1.5	25
FRH-M32	M32×1.5	32	42	1.5	25
FRH-M36	M36×2.0	36	44	1.5	25
FRH-M40	M40×1.5	40	52	1.5	25
FRH-M48	M48×2.0	48	52	1.5	20
FRH-M50	M50×1.5	50	62	1.5	20
FRH-M56	M56×2.0	56	62	1.5	20
FRH-M63	M63×1.5	63	72	1.5	10

FRH-P 扁平密封圈-PG 制螺纹 PG Thread

订货编号 Article No.	适配螺纹 For Thread	内径 ID	外径 OD	高度 Height	包装单位 Packet
FRH-P07	PG7	12.5	17	1.5	50
FRH-P09	PG9	15.2	21	1.5	50
FRH-P11	PG11	18.6	23	1.5	50
FRH-P13.5	PG13.5	20.4	27.5	1.5	50
FRH-P16	PG16	22.5	29.5	1.5	50
FRH-P21	PG21	28.3	35	1.5	25
FRH-P29	PG29	37	44	1.5	25
FRH-P36	PG36	47	52	1.5	20
FRH-P48	PG48	59.3	72	1.5	10

SXT T型密封体 T-Sealing



- 材质: 改性橡胶
- 温度: -40°C~100°C
- 应用: 适用于电缆防水接头不穿电缆时, 防水、防尘

- Material: Modified Rubber
- Temperature range: Min-40°C, max100°C
- Application: Suitable for the cable glands which are not in use, resistant to water and dust

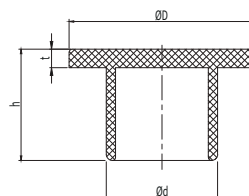
型号规格 Article No.	D mm	d mm	h mm	t mm	包装单位 Packet
SXT-6.5	7.5	6.5	8	1	100
SXT-8	9.5	8	5	1	100
SXT-10	11.5	10	5	1	100
SXT-12	13.5	12	6	1	100
SXT-14	15.5	14	6	1	50
SXT-16	17.5	16	9	1	50
SXT-18	19.5	18	9	1	50
SXT-21	23	21	10	1.2	25
SXT-22	24	22	10	1.2	25
SXT-25	27.5	25	10	1.2	25
SXT-30	32.5	30	10	1.2	20
SXT-32	36	32	10	1.2	20
SXT-38	41.5	38	10	1.2	20
SXT-41	45	41	10	1.2	25
SXT-44	47.5	44	10	1.2	20
SXT-53	57	53	12	1.2	20
SXT-57	61	57	12	1.2	20

SXT-PA 尼龙T型密封体 Polyamide T-Sealing



- 材质: 尼龙
- 温度: -40°C~100°C
- 性能: 耐油
- 应用: 适用于电缆防水接头不穿电缆时, 防水、防尘

- Material: Polyamide
- Temperature range: Min-40°C, max100°C
- Properties: Oil-resistant
- Application: Suitable for the cable glands which are not in use, resistant to water and dust

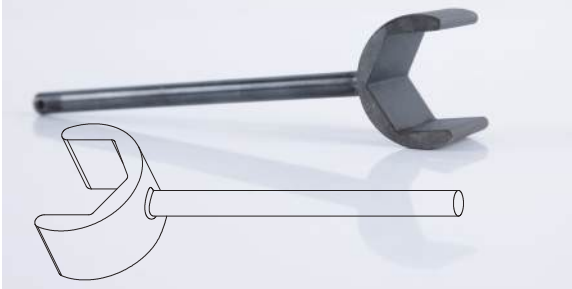


型号规格 Article No.	D mm	d mm	h mm	t mm	包装单位 Packet
SXT-14-T-PA	24	14.1	16.5	1.5	100
SXT-18-T-PA	30	18.1	18	3	50
SXT-20-PA-15	23	20	16.5	1.2	50
SXT-23-PA-17	26.5	23	18.5	1.5	50
SXT-25-T-PA	39	25	19	3	50
SXT-44-T-PA	62	44	21.5	1.5	25

扳手工具 Wrench Tool

常规型扳手(常用于金属接头)

Regular Wrench (often used for metal connectors)



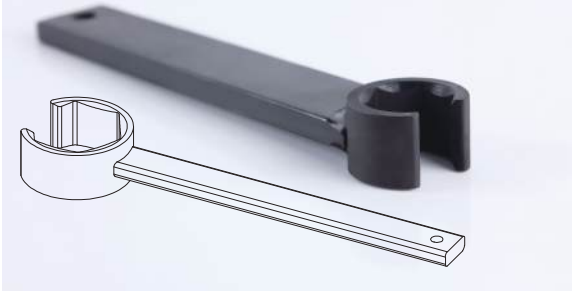
短边型快速扳手(常用于金属接头)

Short Edge Quick Wrench (often used for metal connectors)



套筒型扳手(常用于塑料接头)

Socket Wrench (often used for plastic connector)



加长套筒型扳手(通用)

Extended Socket Wrench (common use)



型号规格 Article No.	扳手尺寸 Wrench Size (mm)	外圆 Outer Diameter	柄长(有效长度) Handle Length (valid length) (mm)	扳口厚度 Wrench Thickness (mm)
WL-BS1-SW64	64.1	Ø82.3	180	35
WL-BS1-SW60	60.1	Ø77.7	180	35
WL-BS1-SW55	55.1	Ø72	200	35
WL-BS1-SW42-LJJ	42.2	Ø56.8	180	30
WL-BS1-SW41	41.1	Ø54.3	180	35
WL-BS1-SW40	40.2	Ø54.2	180	35
WL-BS-SW36	36.1	Ø52	200	30
WL-BS-SW34	34.1	Ø49	150	30
WL-BS1-SW33-LJJ	33.2	Ø44.7	150	30
WL-BS1-SW32	32.1	Ø44	150	30
WL-BS-SW30-T1	30.1	Ø44	200	30
WL-BS1-SW28	28.2	Ø39.3	150	30
WL-BS1-SW27	27.1	Ø38.2	150	30
WL-BS1-SW24-T	24.1	Ø34.7	210	30
WL-BS1-SW22	22.2	Ø32.4	150	30
WL-BS1-SW18	18.2	Ø26.8	150	30

型号规格 Article No.	扳手尺寸 Wrench Size (mm)	外圆 Outer Diameter	柄长(有效长度) Handle Length (valid length) (mm)	扳口厚度 Wrench Thickness (mm)
WL-BS-SW60	60.3	Ø81.3	150	35
WL-BS-SW58	58.3	Ø78.6	150	35
WL-BS-SW55	55.4	Ø74.6	150	35
WL-BS-SW53-T2	53.2	Ø67.3	233	30
WL-BS-SW45	54.2	Ø61	150	30
WL-BS-SW40	40.2	Ø54	150	30
WL-BS-SW36-T2	36.2	Ø49	150	30
WL-BS-SW30-T3	30.2	Ø41	150	30
WL-BS-SW28	28.2	Ø38	150	30
WL-BS-SW24	24.1	Ø33	150	30

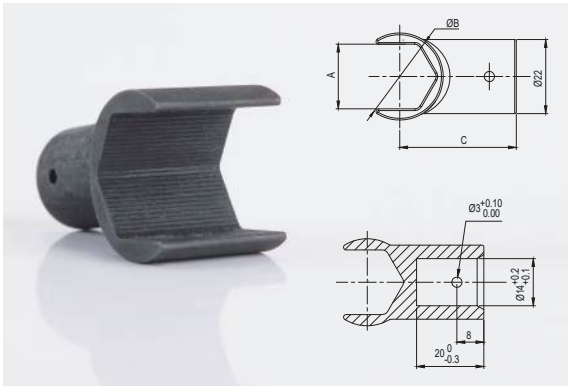
型号规格 Article No.	扳手尺寸 Wrench Size (mm)	开口尺寸 Opening size	外圆 Outer Diameter	柄长 Handle Length (mm)	厚度 Thickness (mm)
WL-BS2-SW80	80.2	59	Ø104	250	30
WL-BS2-SW65	65.2	42	Ø85	250	30
WL-BS2-SW60	60.2	40	Ø79	250	30
WL-BS2-SW55	55.2	37	Ø73	250	30
WL-BS2-SW53	53.2	35	Ø70	250	30
WL-BS2-SW42	42.2	27	Ø55	200	25
WL-BS2-SW33	33.2	20	Ø44	180	25
WL-BS2-SW27	27.2	16	Ø36	150	20
WL-BS2-SW24	24.2	16	Ø35	150	20
WL-BS2-SW22	22.2	14	Ø33	150	20
WL-BS2-SW19	19.2	10	Ø26	150	20
WL-BS2-SW15	15.2	8	Ø21	150	20

型号规格 Article No.	扳手尺寸 Wrench Size (mm)	开口尺寸 Opening size	外圆 Outer Diameter	柄长 Handle Length (mm)	厚度 Thickness (mm)
WL-BS2-SW65-T	65.3	42	Ø85	250	60
WL-BS2-SW60-T	60.3	40	Ø80	250	60
WL-BS2-SW53-T	53.3	35	Ø72	250	60
WL-BS2-SW50-T	50.3	35	Ø68	250	60
WL-BS2-SW45-T	45.3	32	Ø62	200	60
WL-BS2-SW42-T	42.3	27	Ø57	200	60

扳手工具 Wrench Tool

常规型扳手头

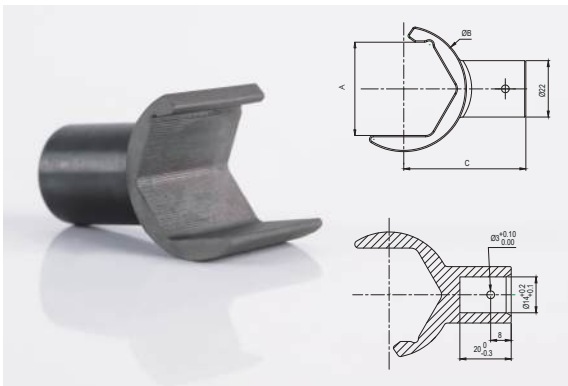
Regular Wrench Torque Head.



型号规格 Article No.	扳手尺寸 Wrench Size A (mm)	外圆 Outer Diameter B	柄长(有效长度) Handle Length (valid length) C (mm)
BST1-SW53	53.2	Ø71.7	59
BST1-SW42	42.2	Ø56.8	51.6
* BST1-SW36	36.2	Ø49	47.6
BST1-SW33	33.2	Ø44.7	45.8
* BST1-SW28	28.2	Ø38.2	41.6
BST1-SW24	24.2	Ø32.6	38.6
* BST1-SW22	22.2	Ø30.2	36.6
BST1-SW19	19.2	Ø25.9	34.6
* BST1-SW18	18.2	Ø24.8	34.6
BST1-SW15	15.2	Ø24	34.6

短边型快速扳手头

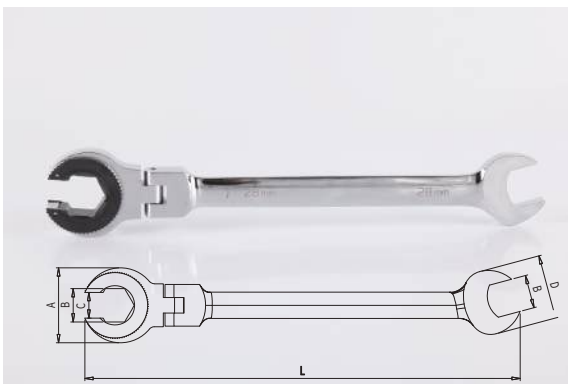
Short Edge Quick Wrench Torque Head



型号规格 Article No.	扳手尺寸 Wrench Size A (mm)	外圆 Outer Diameter B	柄长(有效长度) Handle Length (valid length) C (mm)
BST-SW53	53.2	Ø71.7	59
BST-SW42	42.2	Ø56.8	51.6
* BST-SW36	36.2	Ø49	47.6
BST-SW33	33.2	Ø44.7	45.8
* BST-SW28	28.2	Ø38.2	41.6
BST-SW24	24.2	Ø32.6	38.6
* BST-SW22	22.2	Ø30.2	36.6
BST-SW19	19.2	Ø25.9	34.6
* BST-SW18	18.2	Ø24.8	34.6
BST-SW15	15.2	Ø24	34.6

棘轮开口扳手

Ratchet Open-end Wrench



型号规格 Article No.	宽度A Width (mm)	规格B Wrench Size	棘轮开口C Ratchet Opening Size	宽度D Width (mm)	厚度E Thickness (mm)	厚度F Thickness (mm)	长度L Length (mm)
* RG1217B30	65	30	21.5	62	22.5	12.0	405
* RG1217B27	63	27	20.5	54	20.0	10.5	370
* RG1217B24	50	24	18.0	52	18.0	10.5	330
* RG1217B22	47	22	17.0	44.5	17.0	9.0	290
* RG1217B21	47	21	16.5	44.5	17.0	9.0	290
* RG1217B19	46.2	19	14.0	39.8	16.4	8.0	230
* RG1217B18	46.2	18	14.0	39.0	16.4	7.8	230
* RG1217B17	41.8	17	12.8	36.4	15.4	7.3	215
* RG1217B16	41.8	16	12.8	33.4	15.4	7.1	215
* RG1217B15	41.8	15	12.8	31.9	15.4	6.6	215
* RG1217B14	36.3	14	10.5	29.4	14.3	6.5	190
* RG1217B13	36.3	13	10.5	27.1	14.3	6.2	190
* RG1217B12	32.7	12	8.5	24.9	13.5	6.0	175
* RG1217B11	32.7	11	8.5	23.5	13.5	5.4	175
* RG1217B10	28.6	10	7.0	21.3	13.3	5.3	160
* RG1217B9	28.6	9	6.0	18.7	13.3	5.2	160
* RG1217B8	28.6	8	6.0	17.0	13.3	5.1	160

技术参数 Technical Parameters

螺纹标准与技术数据 Thread standard and technical data

公制螺纹: 螺牙角度60度 Metric Thread: 60°

德国PG制螺纹: 螺牙角度80度 PG Thread: 80°

螺纹规格 Thread	螺距 Pitch	外径d1 mm Outer Diameter	底径d2 mm Bottom Diameter	开孔尺寸 Hole Size mm
M10	1	10	9	10 ^{+0.2} ₀
M12	1.5	12	10.5	12 ^{+0.2} ₀
M16	1.5	16	14.5	16 ^{+0.2} ₀
M18	1.5	18	16.5	18 ^{+0.2} ₀
M20	1.5	20	18.5	20 ^{+0.2} ₀
M22	1.5	22	20.5	22 ^{+0.2} ₀
M24	1.5	24	22.5	24 ^{+0.2} ₀
M25	1.5	25	23.5	25 ^{+0.2} ₀
M27	2	27	25	27 ^{+0.2} ₀
M30	2	30	28	30 ^{+0.2} ₀
M32	1.5	32	30.5	32 ^{+0.3} ₀
M33	2	33	31	33 ^{+0.3} ₀
M36	2	36	34	36 ^{+0.3} ₀
M40	1.5	40	38.5	40 ^{+0.3} ₀
M42	2	42	40	42 ^{+0.3} ₀
M48	2	48	46	48 ^{+0.3} ₀
M50	1.5	50	48.5	50 ^{+0.4} ₀
M56	2	56	54	56 ^{+0.4} ₀
M60	2	60	58	60 ^{+0.4} ₀
M63	1.5	63	61.5	63 ^{+0.4} ₀
M64	2	64	62	64 ^{+0.4} ₀
M72	2	72	70	72 ^{+0.4} ₀
M75	2	75	73	75 ^{+0.5} ₀
M80	2	80	78	80 ^{+0.5} ₀
M85	2	85	83	85 ^{+0.5} ₀
M90	2	90	88	90 ^{+0.5} ₀
M100	2	100	98	100 ^{+0.5} ₀

注明:

开孔尺寸参考IEC62444
 欧洲公制标准按照EN60423标准
 国标公制标准按照GB/T192-2003
 PG螺纹标准按照DIN40430
 G螺纹标准按照:DIN ISO 228-1
 NPT 螺纹标准按照: ANSI ASME B1.20.1

Notice:

Hole size refers to IEC62444
 European metric thread standard refers to EN60423
 Chinese metric thread standard refers to GB/ T 192-2003
 PG thread standard refers to DIN 40430
 G thread standard refers to DIN ISO 228-1
 NPT thread standard refers to ANSI ASME B1.20.1

螺纹规格 Thread	螺距 Pitch	外径d1 mm Outer Diameter	底径d2 mm Bottom Diameter	开孔尺寸 Hole Size mm
PG7	1.27	12.5	11.28	12.5 ^{+0.2} ₀
PG9	1.41	15.2	13.86	15.2 ^{+0.2} ₀
PG11	1.41	18.6	17.26	18.6 ^{+0.2} ₀
PG13.5	1.41	20.4	19.06	20.4 ^{+0.2} ₀
PG16	1.41	22.5	21.16	22.5 ^{+0.2} ₀
PG21	1.587	28.3	26.78	28.3 ^{+0.2} ₀
PG29	1.587	37	35.48	37 ^{+0.3} ₀
PG36	1.587	47	45.58	47 ^{+0.3} ₀
PG42	1.587	54	52.48	54 ^{+0.4} ₀
PG48	1.587	59.3	57.78	59.3 ^{+0.4} ₀

管螺纹: 螺牙角度55度 G Thread: 55°

螺纹规格 Thread	螺距 Pitch	螺纹外径d mm Outer Diameter	内螺纹小径 mm Inner Minor Diameter	开孔尺寸 Hole Size mm
G 1/4"	1.337	13.157	11.145	13.2 ^{+0.2} ₀
G 3/8"	1.337	16.662	14.95	16.7 ^{+0.2} ₀
G 1/2"	1.814	20.995	18.631	21 ^{+0.2} ₀
G 3/4"	1.814	26.441	24.117	26.5 ^{+0.2} ₀
G 1"	2.309	33.249	30.291	33.3 ^{+0.3} ₀
G 1 1/4"	2.309	41.91	38.952	41.9 ^{+0.3} ₀
G 1 1/2"	2.309	47.803	44.845	47.8 ^{+0.3} ₀
G 2"	2.309	59.614	56.565	59.6 ^{+0.4} ₀
G2 1/2"	2.309	75.184	72.226	75.2 ^{+0.5} ₀
G 3"	2.309	87.884	84.926	87.9 ^{+0.5} ₀

NPT锥管螺纹: 螺牙角度60度 NPT Thread: 60°

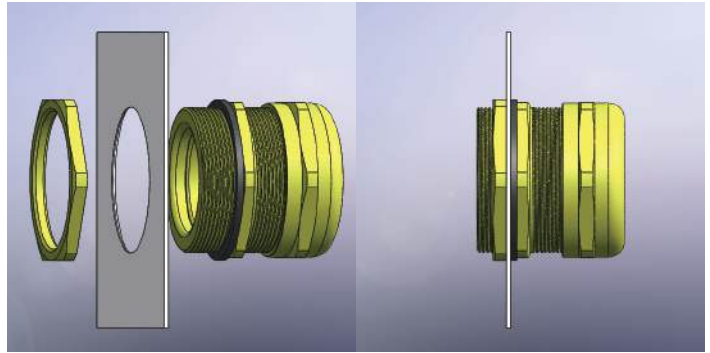
螺纹规格 Thread	螺距 Pitch	基面距离 Datum Plane Distance	基面螺纹大径 Datum Plane Major Diameter mm	内螺纹小径 Inner Minor Diameter mm	开孔尺寸 Hole Size mm
NPT 1/4"	1.411	5.786	13.616	11.358	13.6 ^{+0.2} ₀
NPT 3/8"	1.411	6.096	17.055	14.797	17.1 ^{+0.2} ₀
NPT 1/2"	1.814	8.128	21.223	18.321	21.3 ^{+0.2} ₀
NPT 3/4"	1.814	8.611	26.568	23.666	26.6 ^{+0.2} ₀
NPT 1"	2.208	10.16	33.228	29.694	33.2 ^{+0.3} ₀
NPT 1 1/4"	2.208	10.668	41.988	38.451	42 ^{+0.3} ₀
NPT 1 1/2"	2.208	10.668	48.054	44.52	48.1 ^{+0.3} ₀
NPT 2"	2.208	11.074	60.092	56.558	60.1 ^{+0.4} ₀
NPT 2 1/2"	3.175	17.323	72.699	67.619	72.7 ^{+0.4} ₀
NPT 3"	3.175	19.456	88.608	83.528	88.6 ^{+0.5} ₀

一、薄壁板安装事项:

1. 薄壁板开孔尺寸建议为接头螺纹外径尺寸+0.2- 0.3mm。
2. 当薄壁板厚度低于1.5mm时, 建议把O型圈改用平垫圈 (无石棉垫片, 扁平密封圈)。

一、Installation of thin-walled panels:

1. The hole size of the thin-walled plate is recommended to be the outer diameter of the cable gland thread +0.2-0.3mm.
2. When the thickness of the thin-walled plate is less than 1.5mm, it is recommended to use a flat gasket (non-asbestos gasket, flat sealing ring) instead of the O-ring.

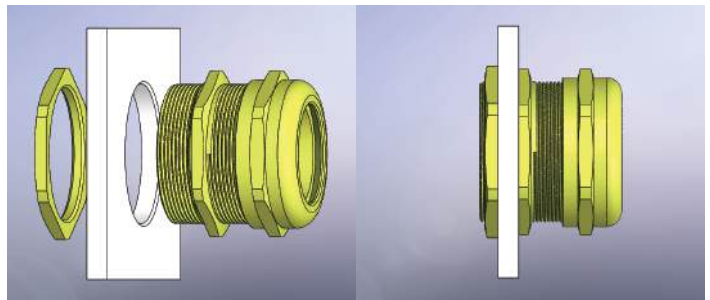


二、厚壁板安装事项:

1. 厚壁板开孔尺寸建议参考IEC62444螺纹开孔尺寸, 具体参考样本螺纹参数第182页, 建议通孔倒角小于0.5mm。
2. 电缆接头螺纹露出端的长度必须够一个螺母配合。

二、Installation on thick-walled plates:

1. The hole size of the thick-walled plate is recommended to refer to IEC62444 hole size.. For details, please refer to page 182 of the catalog thread parameters. It is recommended that the through-hole chamfer be less than 0.5mm.
2. The length of the exposed end of the cable gland thread must be long enough for a nut to fit.

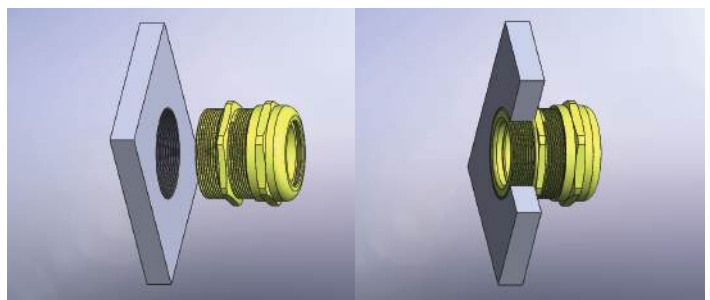


三、螺纹孔安装事项:

1. 建议螺纹口部倒角小于1mm,避免在安装产品时O型圈会挤入螺纹孔内,从而降低密封性能。
2. 螺纹必须保证在3牙以上的旋合长度(普通连接)。

三、Installation of threaded hole:

1. It is recommended that the chamfer of the threaded mouth be less than 1mm to prevent the O-ring from being squeezed into the threaded hole when installing the product, thereby reducing the sealing performance.
2. The thread must be guaranteed to have a screwing length of more than 3 teeth (common connection).



电缆防水接头开孔安装指南 Hole opening installation guide of cable gland

备注:

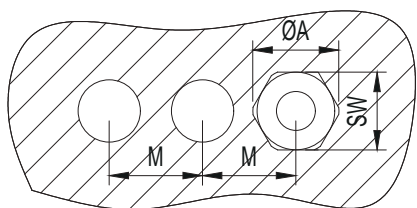
1. 确定接口端面无水渍、油污等, 以防止产品在旋紧时密封圈打滑、外露, 以至不能密封;
2. 无论哪种安装方式, 安装平面必须无毛刺, 否则将损伤密封圈, 影响密封效果。
3. 开孔壁厚满足2.5倍以上螺距时建议攻丝开螺纹孔, 否则建议光孔。
4. 若开孔尺寸过大, 建议使用扁平密封圈。

Remark:

1. Make sure that the end face of the interface is free of water stains, oil stains, etc., to prevent the sealing ring from slipping and exposing when the product is tightened, and even cannot be sealed.
2. Regardless of the installation method, the installation plane must be free of burrs, otherwise the sealing ring will be damaged and the sealing effect will be affected.
3. When the wall thickness of the opening is more than 2.5 times the pitch, it is recommended to tap the threaded hole, Otherwise, unthreaded hole is recommended.
4. If the opening size is too large, it is recommended to use a flat sealing ring.

四、开孔间距要求 The hole spacing requirements:

- a) $\varnothing A$ 对角尺寸, SW 对边尺寸, 即扳手尺寸
 a) $\varnothing A$ diagonal dimension,
 SW opposite side dimension, i.e. wrench dimension
- b) M 值为开孔尺寸间距值。
 b) M is the spacing value of the opening size.

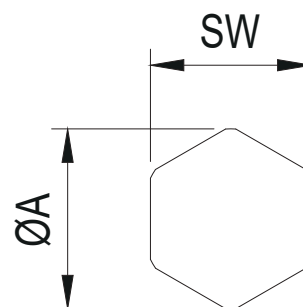


开孔间距M	安装工具	安装顺序
Hole spacing M	installation tool	Installation order
$\leq 2.5 \varnothing A$	专业套筒	序列安装
$\leq 2.5 \text{ times } \varnothing A$	professional sleeve	Serial installation
$2.5-5 \varnothing A$	专业套筒	无序安装
$2.5-5 \text{ times } \varnothing A$	professional sleeve	Disordered installation
$\geq 5 \varnothing A$	任何扳手	无序安装
$\geq 5 \text{ times } \varnothing A$	any wrench	Disordered installation

五、金属接头扳手与对角尺寸对照:

Comparison between metal connector wrench and diagonal dimension:

SW	$\varnothing A_{-1}^0$	SW	$\varnothing A_{-1}^0$	SW	$\varnothing A_{-1}^0$	SW	$\varnothing A_{-1}^0$
12	13	23	25.5	38	42	65	72
14	15.5	24	27	40	44	70	78
15	16.5	26	29	42	46	75	82
17	19	27	30	45	49.5	80	88
18	20	28	31	50	55	86	95
19	21	30	33.5	52	57	90	99
20	22	32	35.5	55	60.5	100	110
21	23	34	38	58	64		
22	24.5	36	40	60	66.5		



SW: 对边尺寸 Opposite side dimension
 $\varnothing A$: 对角尺寸 Diagonal dimension

电缆防水接头扭矩标准 Cable Gland Torque Standard

螺纹规格 Thread Dimension	接头锁线扭矩(N·m) Cable Gland Tightening Torque		平螺母/接头安装扭矩(N·m) Lock Nut / Gland Installation Torque	
	塑料 Plastic	金属 Metal	塑料 Plastic	金属 Metal
PG7/M10/M12	2.5	3.5~5.5	1.2	4.5~7
PG9/M16	3	6.5~10	1.5	4.5~7
PG11/M18	5	6.5~10	2	4.5~7
PG13.5/M20	5	6.5~10	2	4.5~7
PG16/M22/M24	5	7.5~11	3.5	5~7.5
M25	7.5	10~15	3.5	7~10
PG21/M27/M30	7.5	10~15	5	7~10
PG29/M32/M33/M36	10	10~20	5	7~10
PG36/M40/M42/M48	15	10~20	5	10~15
PG42/M50/M56	20	15~30	5	15~20
PG48/M63/M64	20	15~30	5	15~20

(扭矩值仅供参考, 详情见图纸)

IP 防护等级的意义 Protection Degree

第一位表示防尘指标

0. 表示没有防护
1. 可防止50mm以上固体的危害
(偶然的手接触)
2. 可防止12mm以上固体的危害
(手指大小的物体)
3. 可防止2.5mm以上固体的危害(细电线等)
4. 可防止1mm以上固体的危害(细电线等)
5. 可防止粉尘的危害
6. 完全防止粉尘的危害

First numeral Degree of protection(dust)

0. No protection
1. Protection against solid foreign objects $\phi > 50\text{mm}$ (occasional contact with hands)
2. Protection against solid foreign objects $\phi > 12\text{mm}$ (occasional contact with fingers)
3. Protection against solid foreign objects $\phi > 2.5\text{mm}$ (wires or the like with $\phi > 2.5\text{mm}$)
4. Protection against solid foreign objects $\phi > 1\text{mm}$ (wires or the like with $\phi > 1\text{mm}$)
5. Protection against dust
6. Full protection against dust

第二位表示防水指标

0. 表示没有防护
1. 可防止垂直落水的危害
2. 可防止垂直方向成15°角以下直接喷水的危害
3. 可防止垂直方向成60°角以下直接喷水的危害
4. 可防止来自各个方向上直接喷水的危害
5. 可防止来自各个方向上低压水喷射的危害
6. 可防止来自各个方向上高压水喷射的危害
7. 可防止15cm~1m之间浸没的危害
8. 可放置长期浸没的危害(1.2米水深, 1小时)

Second numeral Degree of protection(water)

0. No protection
1. Protection against vertical water drops
2. Protection against spraying water at an angle of up to 15° in the vertical direction
3. Protection against spraying water at an angle of up to 60° in the vertical direction
4. Protection against splashing water from all directions.
5. Protection against water jets from any angle under low pressure
6. Protection against water jets from any angle under high pressure
7. Protection against immersion in 15cm~1m deep water
8. Protection against continuous immersion in water (1.2m depth, 1 hour) (1.2m water depth, 1 hour)

WEYER

电气连接与保护系统

拖链系列

Cable Chain Series



WEYER

电气连接与保护系统

拖链系列

Cable Chain Series



防静电拖链 Anti-static cable chain



材料数据 Material data

拉伸强度 Tensile Strength	165MPa
弯曲强度 Bending Strength	270MPa
温度范围 Temperature range	-40°C~+120°C
表面电阻 Surface resistance	$\leq 10^9 \Omega$
阻燃等级 Flame retardant	HB (UL94)

- 1、采用进口防静电剂，可保持长期防静电效果，且整条拖链可保持连续的、良好的导电性能。
- 2、选择防静电拖链的同时，需同时匹配防静电拖链接头及配件，安装时需注意整个系统接地。
- 3、防静电拖链产品强度可达到与常规材料一致，具有较高的承载能力。
- 4、防静电拖链无需特殊维护，但必须定期检查拖链系统是否接地。
- 5、全系列拖链均可提供 ESD 防静电拖链。

1. Imported anti-static agent can keep long-term antistatic effect, and the whole cable chain will maintain continuous and good conductivity.
2. In addition to the anti-static cable chain, the anti-static end connectors and accessories are necessary too. Pay attention to the grounding of the whole system when installing.
3. The anti-static cable chain has the same strength as the cable chains made of conventional materials, but with high load-bearing capacity.
4. No special maintenance is required for the maintenance of the anti-static cable chain. However, it is necessary to check regularly whether the cable chain system is grounded.
5. Anti-static cable chains are available in all sizes and series.

缩写及描述 Abbr.

α	=旋转角度 Angle	[°]
a	=加速度 Acceleration	[m/s ²]
Ba	=拖链外宽 Outer width of chain	[mm]
Bi	=拖链内宽 Inner width of chain	[mm]
Bra	=导向槽外宽 Outer height of slot	[mm]
Bri	=导向槽内宽 Inner height of slot	[mm]
D	=拖链退回极限位置时的距离 The distance at which the chain returns to the limit position	[mm]
D2	=长行程拖链退回极限位置时的距离 The distance at which the long-stroke chain returns to the limit position	[mm]
FLB	=安全塌腰架空 Unsupported length with sag	[m]
FLG	=直线架空 Unsupported straight length	[m]
FZmax	=最大负载 Maximum load	[kg/m]
H	=理论安装高度 Theoretical installation height	[mm]
H2	=安装高度 (接头降低时) Installation height (when descending the fittings)	[mm]
ha	=拖链外高 Outer height of chain	[mm]
Hf	=实际安装高度 Actual installation height	[mm]
hi	=拖链内高 Inner height of chain	[mm]
Hra	=导向槽外高 Outer height of guide slot	[mm]
Hri	=导向槽内高 Inner height of guide slot	[mm]
K	=安装余量 Installation allowance	[mm]
K2	=如果接头的安装高度降低就要增加弯曲半径余量(适合于长行程) If the installation height of the connector is reduced, increase the bending radius allowance(suitable for long-stroke chains)	[mm]
L	=拖链长度 Length of chains	[mm]
n	=链节数 No. of chains	[1]
P	=偏移中心点的距离 Offset distance from center	[mm]
R	=弯曲半径 Radius	[mm]
S	=行程距离 Stroke	[mm]
S/2	=行程长度一半 Half of stroke	[mm]
T	=节距 Tooth	[mm]
V	=运行速度 Running velocity	[m/s]
ACL	=固定端偏移距离 Fixed-end offset distance	[mm]

WEYER 计算公式 Formula

SFLB = 2xFLB	最大行程长度---安全塌腰应用 Max travel---Unsupported sagging application
SFLG = 2xFLG	最大行程长度---直线架空应用 Max travel---Unsupported straight application
BR = Ba+4	导向槽最小宽度 Min. width of guide slot
Hri ≥ 2xha	导向槽最小高度 Min. height of guide slot
K = P+(2~3) T	安装余量 Installation allowance
L = S/2+πR+K	拖链长度 Length of chain

拖链的用途和特点 Application And Characteristics of Cable Chains

- 适合于使用在往复运动的场合,能够对内置的电缆、油管、气管、水管等起到牵引和保护作用;
- 工程塑料电缆拖链每节都能打开,便于安装和维护;
- 工程塑料电缆拖链运动时噪音低、耐磨、可高速运动;
- 拖链已被广泛应用于数控机床、电子设备、石材机械、玻璃机械、门窗机械、注塑机、机械手、起重运输设备、自动化仓库等;
- Applied to use in reciprocating motion so as to have traction and protection effects on built-in cables, inner oil tubes, gas tubes, water tubes, etc;
- Each segment of the engineering plastic cable chain can be opened for easy installation and maintaining;
- While working, the engineering plastic chain is in low noise, anti-abrasion, high speed movement;
- Widely applied to numerically controlled machine tools, electronic devices, dimension stone mechanism, glass mechanism, door-window mechanism, plastic injection moulding machine, manipulator, weight handling equipment, auto warehouse, etc.

拖链的基本参数 Basic Data of Chains

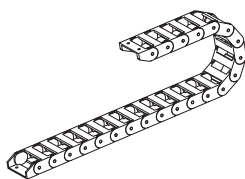
- 材料: 增强尼龙, 具有高的压力和抗拉负荷, 良好的韧性高弹性模数。高低温时性能稳定, 可以使用在室外。
- 抗耐性: 耐油、盐并有一定的耐酸耐碱能力;
- 运行速度和加速度: 最高速度可达5米/秒, 最高加速度可达5米/秒² (具体速度、加速度视运行情况而定);
- 运行寿命: 在正常架空使用情况下, 可达500万往复运动次数 (具体寿命视运行情况而定); 在低温及高温环境下拖链的机械性能会降低且使用寿命会受到影响。
- Material: Enhanced polyamide with high tension and pull-out strength, excellent flexibility, stable performance at high and low temperatures. It can be used outdoors.
- Resistant against: oil, salt, certain acid and alkali resistance.
- Working speed and acceleration: The Max speed can reach 5 m/s, and the Max acceleration can reach 5 m/s² (the specific speed and acceleration depend on the operating conditions);
- Operation life: Under the condition of normal unsupported use, it can reach 5 million times for reciprocating motion (the specific life depends on the operating conditions). In low temperature and high temperature environment, the mechanical properties of the cable chain will be reduced and the service life will be affected.

技术指标 Technical Data

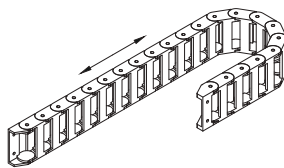
抗拉强度Tensile Strength	180N/mm ²
冲击强度Impact Strength	50KJ/m ²
温度范围Temperature Range	-40°C ~ +120°C
表面电阻Surface Resistance	10 ¹⁰ ~ 10 ¹² Ω

体积电阻 Volume Resistivity	10 ¹⁰ ~ 10 ¹⁵ Ω
吸水性 Water Absorption(23°C)	4%
摩擦系数 Friction Coefficient	0.3
阻燃性 Flame-Retardant	HB(UL94)

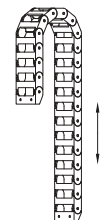
拖链的运行方式 Working Mode of The Chains



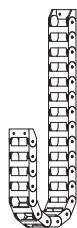
水平
Horizontal Working



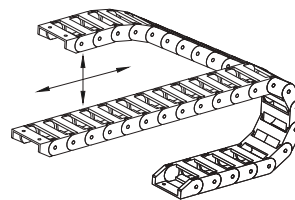
90° 旋转
90° Rotation



垂直立式
Vertical Mode



垂直吊式
Vertical Hanging Mode



组合式(水平/垂直)
Combination Mode(Horizontal/Vertical)

拖链选型说明 Models Selection Instruction

普通拖链 Ordinary cable chain

内高:35为不封闭 Inner Height: 35 as non-closed	35(C)	.	75	.	100	—	N10	—	12PZ	—	ESD	+	01VS-10
35C为全封闭 35C as fully closed													
内宽:75 Inner Width: 75													
弯曲半径:R100 Bending radius: R100													
拖链节数:10节 Number of segments: 10 segments	数量可根据需求调整 Quantity can be adjusted according to demand												
12PZ:拖链接头1副(包含两端接头) 34PZ:带梳状板接头 34PZ: Comb Plate Connector 12PZ: Cable chain connector 1 set (including both end connectors)													
空:普通款 Null: Standard	ESD:防静电 ESD: Anti-static												
空:无配件 Null: No accessories	竖隔片10个,数量可根据需求调整 Separator 10 pcs, quantity can be adjusted according to demand												

内高:35为不封闭 Inner Height: 35 as non-closed	35(C)	.	75	.	100	—	1.2m	—	12PZ	—	ESD	+	01VS-10
35C为全封闭 35C as fully closed													
内宽:75 Inner Width: 75													
弯曲半径:R100 Bending radius: R100													
拖链长度:1.2米 Length of chains: 1.2M	长度可根据需求调整 Length can be adjusted according to requirements												
12PZ:拖链接头1副(包含两端接头) 34PZ:带梳状板接头 34PZ: Comb Plate Connector 12PZ: Cable chain connector 1 set (including both end connectors)													
空:普通款 Null: Standard	ESD:防静电 ESD: Anti-static												
空:无配件 Null: No accessories	竖隔片10个,数量可根据需求调整 Separator 10 pcs, quantity can be adjusted according to demand												

- 普通拖链型号有两种表示方法:节数和长度(如按长度表示,实际装配时按四舍五入原则整节装配)。
- 按照以上格式可形成一条完整拖链的型号描述。需包含内高、内宽、弯曲半径、节数(或长度)、接头、附件等参数,参数需按照我司样册上内容进行选择。
- 34PZ为带梳状板接头,有些小规格系列有此型号,参考样册选择。
- 其他特殊分隔方式或者有特殊要求,请联系技术人员进行确认。

- Two ways to represent ordinary cable chain: Segment and the length (if indicated by length, the actual assembly is based on the principle of rounding up to the nearest whole section).
- Following the above format, a complete model description of a cable chain can be formed. It should include parameters such as inner height, inner width, bending radius, segments (or length), connectors, accessories, etc., and the parameters must be selected according to the content in our company's catalog.
- 34PZ is comb Plate Connector, Some small specification series have this model, refer to catalog to choose.
- For any special separation methods or specific requirements, please contact the technical staff for confirmation.

1 实际安装高度Hf Installation Height (Hf)

- 最长架空长度受拖链设计、材料及负载的影响。预应力是指拖链运行时上段的上拱度。预应力设计可以增加悬空段的长度, 延长使用寿命并提高操作的安全性, 所以拖链的实际安装高度取决于不同拖链的预应力, 请在每个产品页中查询此参数。

$H_f = H + \text{数值}$

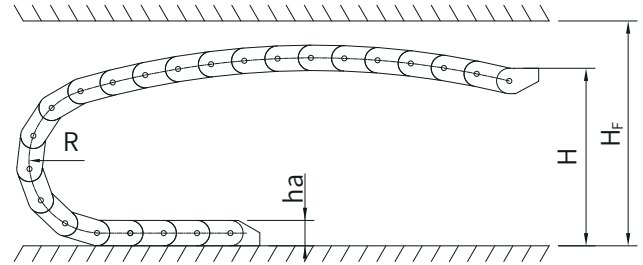
$H = 2R + h_a$

Hf: 拖链实际安装高度 Installation Height

H: 理论安装高度 Theoretical installation height

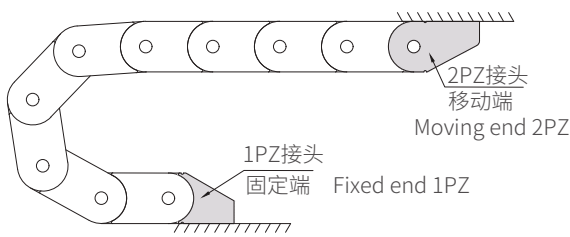
h_a: 外高 Outer Height

- The maximum unsupported length is affected by the chain size, material and load. Prestress refers to the upward arch degree of the upper part of the chain when it is running. The prestress design can increase the length of the unsupported part, prolong the service life and improve the safety of operation, so the actual installation height H_f of the cable depends on the prestress design. Please check this parameter on each product page.



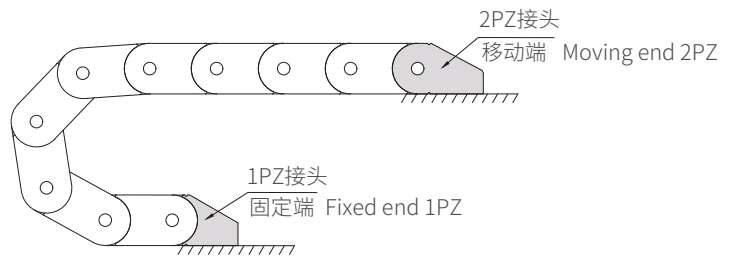
接头安装方式 (A1、A2、A3、A4.) (10、15、18、25系列)

Chain connector installation mode (A1、A2、A3、A4.) (10、15、18、25Series)



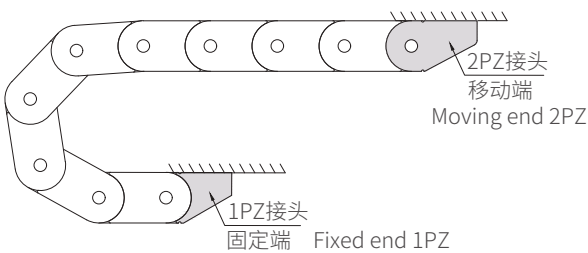
A1 (1PZ正装, 2PZ正装)

A1 (1PZ in obverse, 2PZ in obverse)



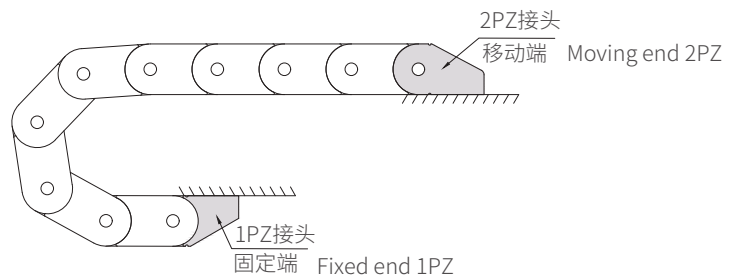
A2 (1PZ正装, 2PZ反装)

A2 (1PZ in obverse, 2PZ in reverse)



A3 (1PZ反装, 2PZ正装)

A3 (1PZ in reverse, 2PZ in obverse)



A4 (1PZ反装, 2PZ反装)

A4 (1PZ in reverse, 2PZ in reverse)

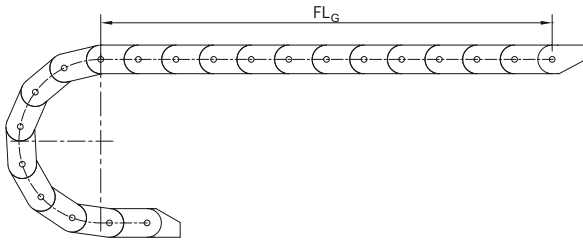
- 拖链竖直方向安装时, 1PZ接头需正装
- 25系列另有1PZ-T接头为水平及垂直方向固定结构
- 推荐A1和A2安装方式

- When the cable chain is installed vertically, the 1PZ connector must be installed in obverse.
- The 25 series has another 1PZ-T connector for the horizontal and vertical fixed structure.
- A1 and A2 installation modes are recommended.

2 短行程Short stroke

架空应用Unsupported application

- 在拖链运行的整个过程中, 如果上端与下端始终不接触, 这种运行状态称之为架空。
- 从拖链移动端到弯曲半径圆弧的距离, 称为架空长度, 架空应用是最常见的应用方式。
- 拖链的最大架空长度取决于拖链的类型以及内部负载

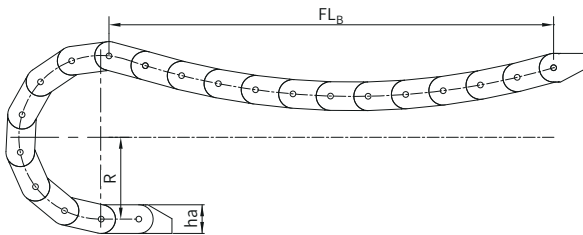


1. FLG - 直线架空

FLG是指拖链运行时上部有上拱, 或直线, 或下塌距离小于拖链链节高度1/2。FLG是最为推荐的应用方式, 在这种情况下, 拖链运行更为平滑, 且磨损最小。

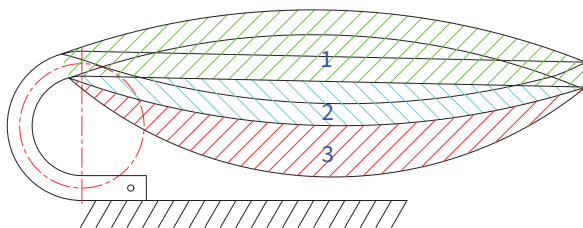
2. FLB - 安全塌腰

FLB是指在运行过程中, 拖链塌腰距离大于拖链链节高度的1/2, 且小于该系列拖链的最小弯曲半径。



3. 危险塌腰Risky Sagging

如果拖链塌腰距离大于FLB, 称为危险塌腰。应该避免危险塌腰的使用, 或者采用一些其他方法来解决危险塌腰的问题。某些应用中, 拖链经过长时间的使用, 可能会出现危险塌腰。如果您的应用遇到了这种情况, 请联系文依。
注: 在实际应用中, 避免出现危险塌腰。



1. FLG Unsupported straight
2. FLB 安全塌腰 Safe sagging
3. 危险塌腰 Risky sagging

- In the whole running process, if the upper part and the lower part are not in contact all the time, this running state is called unsupported application.
- The distance from the moving end of the chain to the arc of the bending radius is called the unsupported length. Unsupported application is the most common application method.
- The maximum unsupported length of the chain depends on the type of cable chain and the internal load.

1. FLG - Unsupported Straight Application

FLG means that when the chain is running, the upper part has an upward arch, or a straight line, or the sagging distance is less than 1/2 of the chain height.

FLG is the most recommended application, in this case, the cable chain runs smoother and has minimal wear.

2. FLB - Safe Sagging

FLB means that during running, the sagging distance of the cable chain is more than 1/2 of the chain height, and less than the minimum bending radius of this series of chain.

3. Risky Sagging

If the chain sagging distance is more than the FLB, it is called risky sagging. The use of risky sagging should be avoided, or some other method should be adopted to solve this problem. In some applications, the cable chain may become risky sagging after long term use. If you meet this problem, please contact us.
Note: To avoid risky sagging in practical application.

2 短行程Short stroke

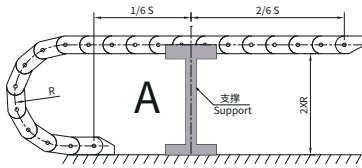
架空长度不足情况 Insufficient unsupported length

如果实际应用中的负载及行程超出原有选择, 有以下几种选择:

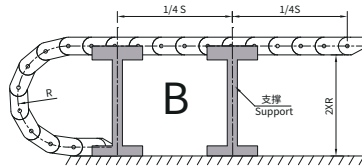
- 选择更稳定的型号
- 在架空区域增加支撑, 但是此方案对速度、加速度及噪音都有限制。

If the load and stroke in the actual application exceed the original selection, there are the following options:

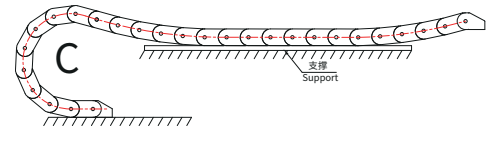
- Select a more stable model
- Add support in unsupported areas, but this solution has limitations on speed, acceleration and noise.



FL_G区域支撑 A) 此类可以增加50%的直线架空距离
FL_G Regional support
This can increase the unsupported straight distance by 50%

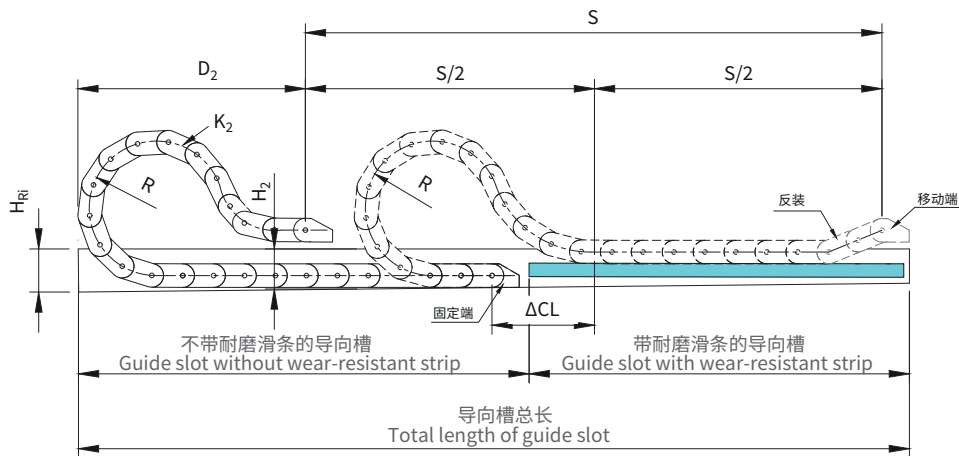


FL_G区域支撑 B) 增加100%的直线架空距离
FL_G Regional support
This can increase the unsupported straight distance by 100%



FL_B区的支撑 C) 最长可增加100%行程
FL_B Regional support
This can increase the stroke by 100%

- 长行程滑行方案示意图(拖链如采用长行程滑行方案, 请联系文依)
- Delineation of long-stroke slide solution (Please contact us for this application)



$$L = S/2 + K_2$$

L = 拖链长度

S = 行程距离

R = 弯曲半径

ΔCL = 固定端偏移行程中点距离

H_{Ri} = 导向槽内高

H₂ = 安装高度 (移动降低安装高度时)

D₂ = 长行程拖链退回极限位置时的距离

K₂ = 移动端降低安装高度时的弯曲半径余量

$$L = S/2 + K_2$$

L = Chain length

S = Stroke

R = Bending radius

ΔCL = Fixed end offset stroke midpoint distance

H_{Ri} = Inner height of guide slot

H₂ = Installation height (when moving to lower the installation height)

D₂ = The distance at which the long-stroke chain returns to the limit position

K₂ = Bending radius allowance when the moving end lowers the installation height

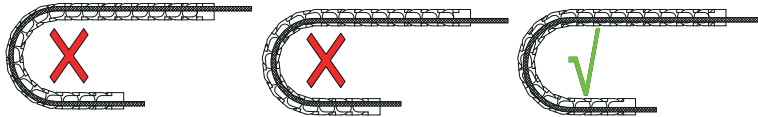
拖链选型 Model selection

1 确定拖链尺寸 Size selection

- 电缆及介质管在拖链中必须能够自由运动,且在拖链弯曲半径处不受任何张力。

以下是不同管线的最小间隙参考值:

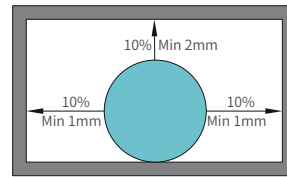
- 圆电缆: 10%
- 扁电缆: 10%
- 液压油管: 20%
- 气管: 5-10%
- 其他管道: 5-20%



- Cables and media tubes must be able to move freely in the chain without any tension at the bending radius of the chain.

The following are minimum clearance reference values for different pipelines:

- Round cable: 10%
- Flat cable: 10%
- Hydraulic tubing: 20%
- Air pipeline: 5-10%
- Other pipes: 15-20%



圆形电缆“周围”间隙
Clearance for Round Cable

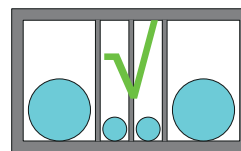
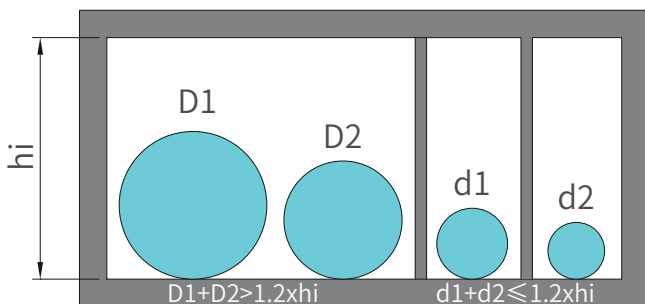
请参考以下原则对拖链内部管线排布

- 不同材质和类型的管线应当用隔片加以分隔,避免缠绕和干涉,如电缆、液压管和气管相互分离,强电和弱电相互分离。
- 外径差异较大的管线需要用隔片进行分隔,避免相互缠绕。
- 如相邻管线之间无法使用分隔片,则需保证相邻管线的外径之和大于拖链内高的1.2倍。
- 如安装空间允许,将每根电缆及介质管均布置于独立的分隔中更为有利。
- 拖链内管线应尽量实现重量均布,水平安装时应两侧负载重、中间轻,侧向安装时应底部负载重、上部轻。
- 拖链尺寸同时需要参考实际安装空间。

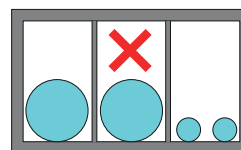
Please refer to the following principles to arrange the internal pipeline of the cable chain

- Pipes of different materials and types should be separated by separators to avoid entanglement and interference, such as separation of cables, hydraulic pipes and air pipes, and separation of strong and weak currents.
- Pipes with large differences in outer diameter need to be separated by separators to avoid intertwining.
- If separators cannot be used between adjacent pipelines, it is necessary to ensure that the sum of the outer diameters of adjacent pipelines is greater than 1.2 times the inner height of the cable chain.
- If the installation space allows, it is more advantageous to arrange each cable and medium pipe in an independent partition.
- The pipelines in the cable chain should be as evenly weighted as possible. When installed horizontally, the load should be heavy on both sides and light in the middle. When installed laterally, the load should be heavy at the bottom and light at the top.
- The size of the cable chain also needs to refer to the actual installation space.

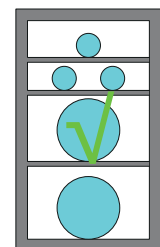
管线排布示例 Pipeline distribution demonstration



重量分布均匀
balance of weight



重量分布不均匀
Imbalance of weight



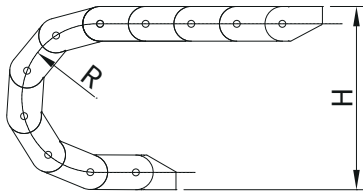
重量分布均匀
balance of weight

拖链选型 Model selection

2 确定拖链弯曲半径 Bending radius selection

拖链弯曲半径通常由以下两个因素确定

- 电缆/介质管允许的最小弯曲半径。
- 拖链的弯曲半径应不小于电缆/介质管允许的最小弯曲半径,弯曲半径过小会降低电缆/介质管的使用寿命,且易导致拖链运行不稳或“拱起”现象。选用高于最小值的拖链弯曲半径可提高电缆/介质管的使用寿命。但当行程较长时,我们建议拖链弯曲半径R不大于拖链内宽Bi的4倍,即 $R \leq 4B_i$,否则存在拖链侧翻的风险。
- 拖链安装空间允许的最大弯曲半径。



• The bending radius of the cable chain is usually determined by the following two factors

- Minimum allowable bending radius of cables/media tubes.
- The bending radius of the cable chain should not be less than the minimum allowable bending radius of the cable/media tube. If the bending radius is too small, the service life of the cable/media tube will be shortened, and it will easily lead to the unstable running of the cable chain or the phenomenon of "arching". Selecting a bending radius higher than the minimum value can increase the service life of the cable/media tube. However, when the stroke is long, we recommend that the bending radius R of the cable chain should not be more than 4 times the inner width B_i of the chain, that is, $R \leq 4B_i$, otherwise there is a risk of the overturning.
- The maximum bending radius allowed by the installation space of the cable chain

3 确定负载和行程长度 Load and stroke determination

- 每个系列的拖链均有提供“负载-架空长度”图表,请校核实际工况下的单位负载和架空长度是否满足于所选规格的数据范围。
- 如不满足架空条件,可以有以下几种选择:
- 选择负载架空能力更好的拖链
- 增加支撑
- 选择“滑行”应用
- 如果行程在4到10m之间,建议选择更长架空长度的拖链,行程10m以上时,建议采用滑行方案。

- We provide "Load - Unsupported Length" diagrams for each cable chain series. Please check whether the actual load and unsupported length of the selected model meet the data range.
- If the unsupported conditions are not met, the following options are available:
- Choose chains with unsupported load overhead capacity
- Add support
- Select the "Slide" application
- If the stroke is between 4 and 10m, it is recommended to choose a cable chain with a longer unsupported length. When the stroke is more than 10m, it is recommended to use the "Slide" scheme.

4 计算拖链长度 Length calculation

- 拖链固定端位于行程中点:

When the fixed end is at the midpoint of the stroke:

$$L = S/2 + \pi R + K$$

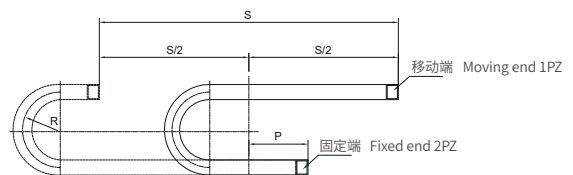
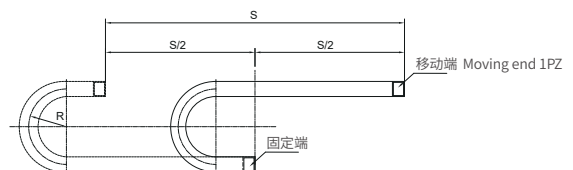
$$K = (2 \sim 3) T$$

- 拖链固定端偏移行程中点:

When the fixed end offsets the midpoint of the stroke:

$$L = S/2 + \pi R + K$$

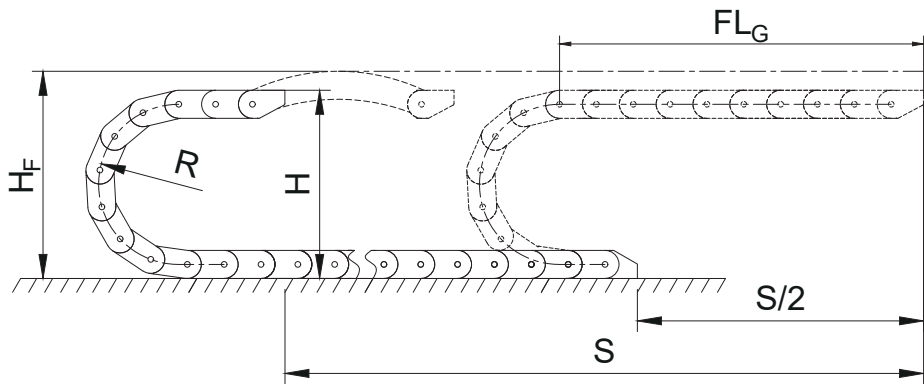
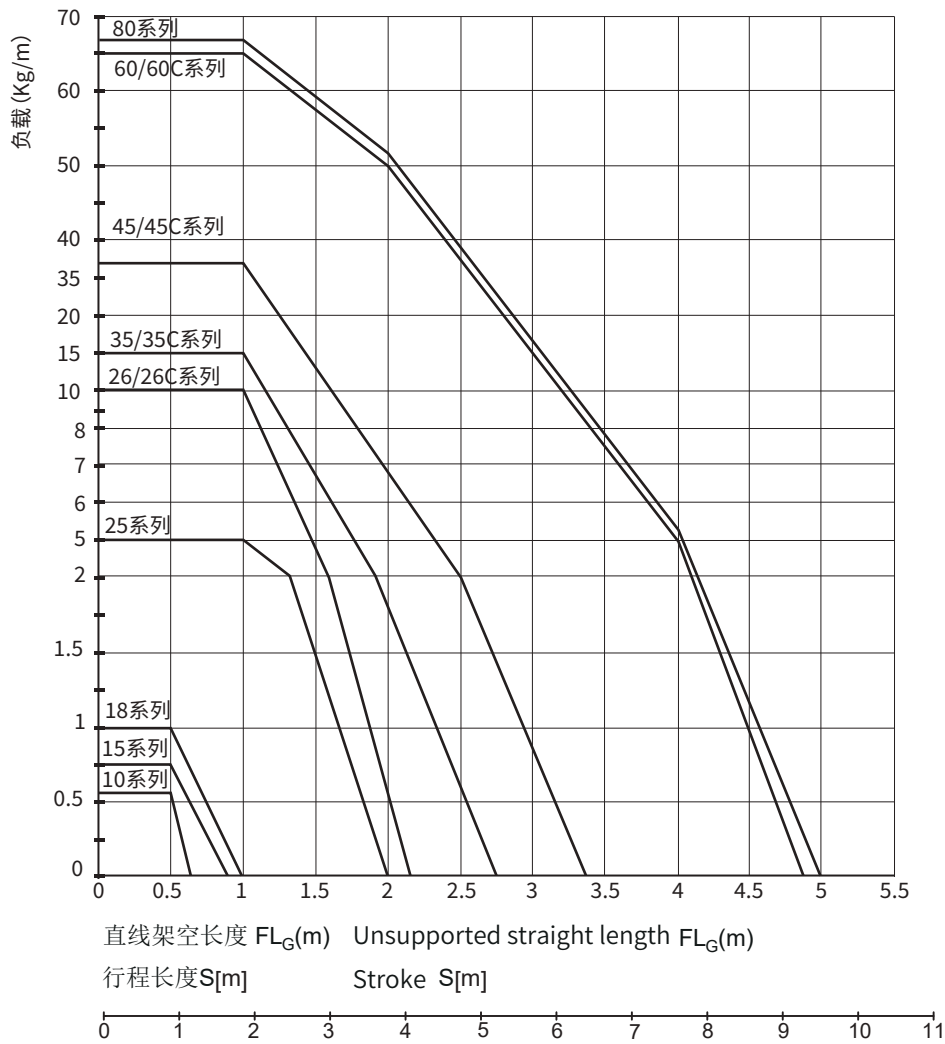
$$K = P + (2 \sim 3) T$$



- **L:** 拖链长度 Length of chains **S:** 运动行程 Stroke **T:** 节距 Tooth **R:** 弯曲半径 Radius **K:** 安装余量 Installation allowance
- **P:** 固定端偏离行程中心的距离 The distance of the fixed point from the midpoint of the stroke
- 固定端在行程中心时($P=0$),拖链长度最为节约。

When the fixed end at the midpoint of the stroke($P=0$), the length of the chain is the shortest.

直线架空FL_G(m) Unsupported straight length FL_G (m)



FL_G - 直线架空

FL_G - Unsupported straight application

FL_G是指拖链运行时上部有上拱, 或直线, 或下塌距离小于拖链链节高度1/2。

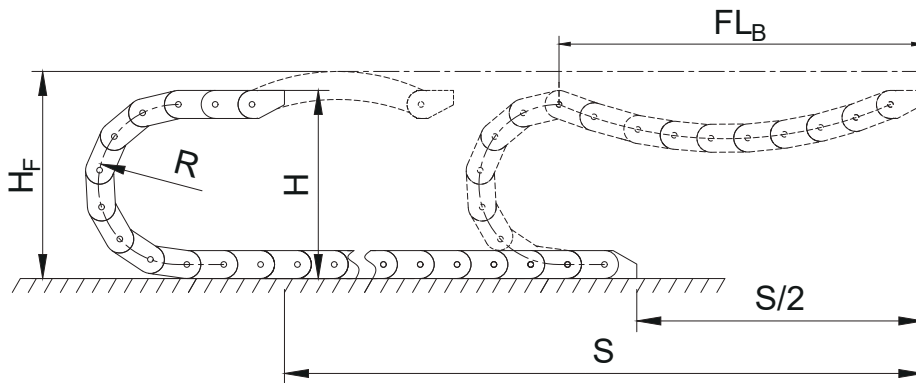
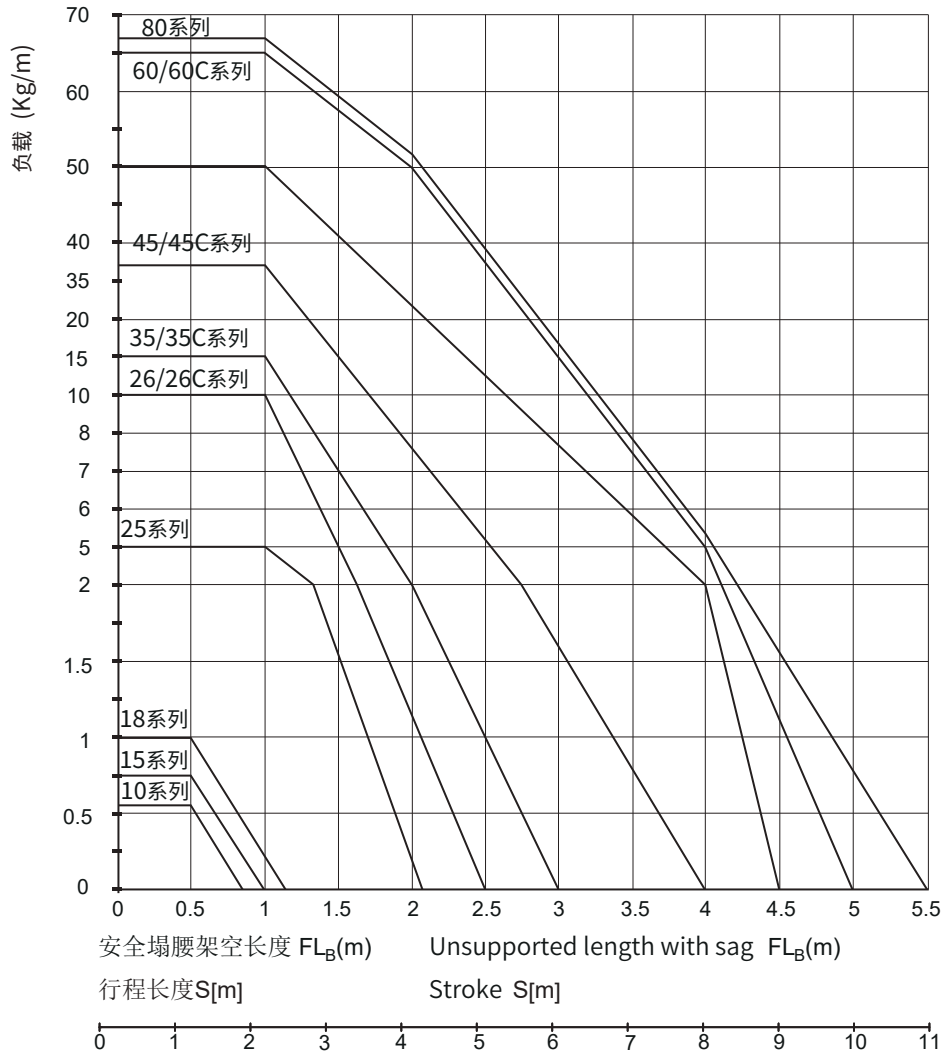
FL_G means that when the cable chain is running, the upper part has an upward arch, or a straight line, or the sagging distance is less than 1/2 of the chain height.

FL_G是最为推荐的应用方式, 在这种情况下, 拖链运行更为平滑, 且磨损最小。

FL_G is the most recommended application, in this case, the cable chain runs smoother and has minimal wear.

拖链架空使用负载图 Unsupported application load diagram

安全塌腰 FL_B (m) Safe sagging FL_B (m)



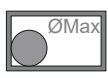
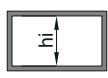
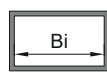
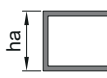
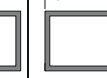
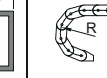
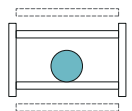
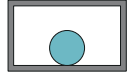
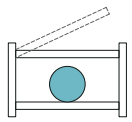
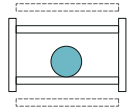
FL_B - 安全塌腰

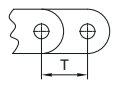
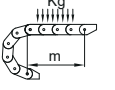
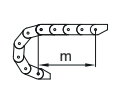
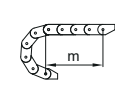
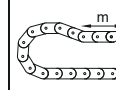
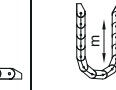
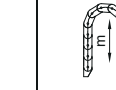
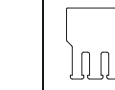
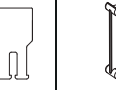
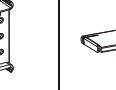
FL_B - Safe sagging

FL_B 是指在运行过程中,拖链塌腰距离大于拖链链节高度的1/2,且小于该系列拖链的最小弯曲半径。


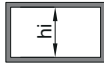




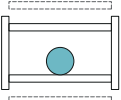
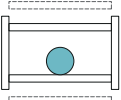
FL_B means that during the running process, running, the sagging distance of the cable chain is more than 1/2 of the chain height, and less than the minimum bending radius of this series of chain.

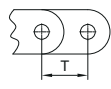
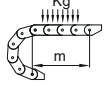
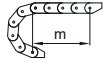
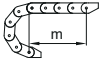
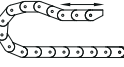
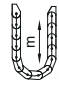
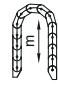
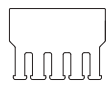


技术参数 Technical Parameters

系列 Series	形式 Type	型号描述 (内高,内宽,弯曲半径) Model (hi, Bi, Radius)	开启方向 Opening type	最大电缆外径 Max cable (mm)	内高 hi Inner height (mm)	内宽 Bi Inner width (mm)	外高 ha Outer height (mm)	外宽 Ba Outer width (mm)	弯曲半径 R Bending radius (mm)
									
18SC	静音拖链 Mate cable chains	18SC.25.R 18SC.37.R 18SC.50.R	 盖板双侧打开 Openable from both sides	16	18	25 37 50	28	39 51 64	R38/R50/R75
26SC		26SC.40.R 26SC.50.R 26SC.75.R 26SC.100.R 26SC.125.R 26SC.150.R		23	26	40 50 75 100 125 150	38	59 69 94 119 144 169	R50/R75/R100 /R125/R150/ R200/R250
10	不封 Non-closed	10.10.R 10.15.R	 不可打开 Non-openable	8	10	10 15	15	18 24	R18/R28/R38
15		15.20.R 15.30.R 15.50.R	 盖板单侧打开 Openable from one side	13	15	20 30 50	20	29 40 60	R28/R38/R50
18		18.25.R 18.37.R 18.50.R		16	18	25 37 50	24	36 49 63	R38/R50/R75
25		25.38.R 25.57.R 25.77.R 25.103.R		22	25	38 57 77 103	35	54 73 93 119	R55/R75/R100 /R125/R150/ R200/R250
26		26.40.R 26.50.R 26.75.R 26.100.R 26.125.R 26.150.R	 盖板双侧打开 Openable from both sides	23	26	40 50 75 100 125 150	39	58 68 93 118 143 168	R60/R75/R100 /R125/R150/ R200/R250
35		35.50.R 35.75.R 35.100.R 35.125.R 35.150.R 35.175.R 35.200.R 35.250.R		32	35	50 75 100 125 150 175 200 250	55	74 99 124 149 174 199 224 274	R75/R100/R125 /R150/R200/ R250/R300
45		45.50.R 45.75.R 45.100.R 45.125.R 45.150.R 45.175.R 45.200.R 45.250.R		42	45	50 75 100 125 150 175 200 250	66	78 103 128 153 178 203 228 278	R75/R100/ R125/R150/ R200/R250/ R300

节距 Pitch (mm)	架空负载 Unsupported load $\leq [Kg/m]$	直线架空长度 Unsupported straight length $FL_G \leq (m)$	安全塌腰长度 Safe sagging length $FL_B \leq (m)$	长行程距离 Max long travel $\leq (m)$	最大垂直悬挂 距离(m) Max hanging distance	最大垂直站立 距离(m) Max vertical standing	梳状板 Comb plate	竖隔片 Separator	横隔片 Shelf
									
29.5	0.5	0.7	1	-	-	-	-	-	-
38	2	1.5	2	-	15	1.2	-	26.01VS 26.02VS 26.03VS 26.04VS	35.SL50 35.SL75 35.SL100
20	0.6	0.6	0.8	20	根据要求 As required	根据要求 As required	-	-	-
26.5	0.75	0.8	1	20	根据要求 As required	根据要求 As required	15.50.34PZ	15.01VS	-
33.5	1	1	1.2	30	15	1.5	18.25.34PZ 18.37.34PZ 18.50.34PZ	18.01VS	-
46	5	2	2.25	70	30	2.25	25.38.34PZ 25.57.34PZ 25.77.34PZ 25.103.34PZ	25.01VS	-
46	10	2.1	2.5	100	40	3	SZB26-50M SZB26-75M	26.01VS 26.02VS 26.03VS 26.04VS	35.SL50 35.SL75 35.SL100
56	15	2.4	3	140	50	3.5	SZB35-50M SZB35-75M SZB35-100M	35.01VS 35.02VS 35.03VS 35.04VS	35.SL50 35.SL75 35.SL100
67	37	3.4	4	200	70	4	SZB35-50M SZB35-75M SZB35-100M	45.01VS 45.02VS 45.03VS 45.04VS	35.SL50 35.SL75 35.SL100

技术参数 Technical Parameters

系列 Series	形式 Type	型号描述 (内高,内宽,弯曲半径) Model (hi,Bi,Radius)	开启方向 Opening type	最大电缆外径 Max cable (mm)	内高 hi (mm) Inner height	内宽 Bi (mm) Inner width	外高 ha (mm) Outer height	外宽 Ba (mm) Outer width	弯曲半径 R (mm) Bending radius												
																					
60	不 封 闭	60.75.R 60.100.R 60.125.R 60.150.R 60.175.R 60.200.R 60.250.R 60.300.R 60.350.R 60.400.R		56	60	75 100 125 150 175 200 250 300 350 400	88	111 136 161 186 211 236 286 336 386 436	R100/R125/ R150/R200/ R250/R300/ R350/R400/ R500												
	Non- closed	80.100.R 80.125.R 80.150.R 80.175.R 80.200.R 80.250.R 80.300.R 80.350.R 80.400.R	盖板双侧打开 Openable from both sides			74		80		100 125 150 175 200 250 300 350 400	108	144 169 194 219 244 294 344 394 444	R125/R150/ R200/R250/ R300/R350/ R400/R500								
26C	全 封 闭 Fully- closed	26C.40.R 26C.50.R 26C.75.R 26C.100.R 26C.125.R 26C.150.R		23	26	40 50 75 100 125 150	39	58 68 93 118 143 168	R60/R75/R100 /R125/R150/ R200/R250												
35C		35C.50.R 35C.75.R 35C.100.R 35C.125.R 35C.150.R 35C.175.R 35C.200.R 35C.250.R				32		35		50 75 100 125 150 175 200 250	55	74 99 124 149 174 199 224 274	R100/R125/ R150/R200/ R250/R300								
45C		45C.50.R 45C.75.R 45C.100.R 45C.125.R 45C.150.R 45C.175.R 45C.200.R 45C.250.R								42		45		50 75 100 125 150 175 200 250	66	78 103 128 153 178 203 228 278	R100/R125/ R150/R200/ R250/R300				
60C		60C.75.R 60C.100.R 60C.125.R 60C.150.R 60C.175.R 60C.200.R 60C.250.R 60C.300.R												56		60		75 100 125 150 175 200 250 300	88	111 136 161 186 211 236 286 336	R150/R200/ R250/R300/ R350/R400

节距 (mm) Pitch	架空负载 $\leq [Kg/m]$ Unsupported load	直线架空长度 $FL_G \leq (m)$ Unsupported straight length	安全塌腰长度 $FL_B \leq (m)$ Unsupported length with sag	长行程距离 $\leq (m)$ Max long travel	最大垂直悬挂 距离(m) Max hanging distance	最大垂直站 立距离(m) Max standing distance	梳状板 Comb plate	竖隔片 Separator	横隔片 Shelf
									
91	65	4.8	5	280	70	4.5	SZB60-100M SZB60-125M SZB60-150M SZB60-175M	60.01VS 60.02VS 60.03VS 60.04VS	60.SL50 60.SL75 60.SL100
100	68	5	5.5	300	80	4.5	SZB60-100M SZB60-125M SZB60-150M SZB60-175M	80.01VS 80.02VS 80.03VS 80.04VS	60.SL50 60.SL75 60.SL100
46	8	1.8	2.1	100	40	3	-	26C.01VS	-
56	15	2.4	3	140	50	3.5	-	35.01VS	-
67	37	3.4	4	200	70	4	-	45.01VS	-
91	65	4.8	5	280	70	4.5	-	60.01VS	-

静音拖链简介 The Introduction of Mute Cable Chains

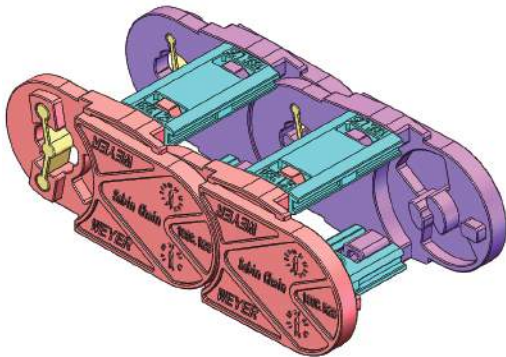
静音拖链相比普通拖链，在结构上做了优化，通过V字型的静音拖链中心轴，将节板与节板、节板与接头连接在一起。静音拖链中心轴采用耐折弯、耐磨且强度较好的软性材料，使整个拖链在运行过程中，先是静音拖链中心轴与节板、接头的平面碰触，从而降低了运行过程中的噪音。同时，静音拖链减小了拖链节板之间的节距，增加了线速度，保证了拖链的高速运行。

Compared with the ordinary cable chain, the mute cable chain is optimized in structure. It utilizes a V-shaped central axis to connect the link plates and joints. The central axis of the mute cable chain adopts soft materials with bending resistance, wear resistance and good strength. During the running process, the central axis first makes contact with the flat surfaces of the link plates and joints, thereby reducing noise. At the same time, the mute cable chain reduces the pitch between the link plates, increases the linear speed, and ensures the high speed operation of the cable chain.



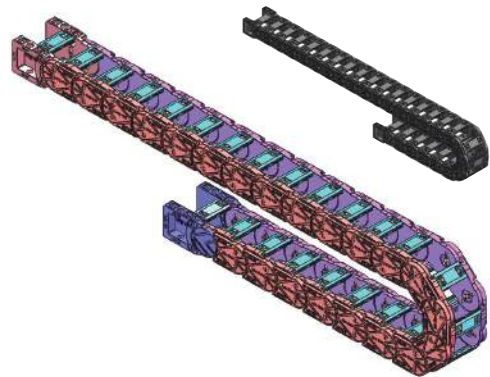
两节组装效果图

Design Sketch For Two Segments



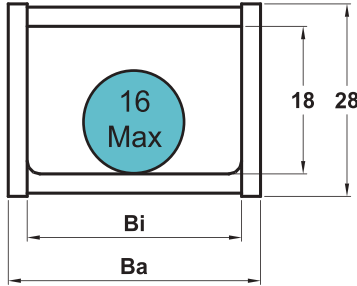
成套组装效果图

Design Sketch For Whole Set



18SC系列静音拖链 - 双侧可打开 18SC Series - Openable from Both Sides

主要技术参数 Main Technical Parameters



内高 Inner Height(mm) :	18
最大允许电缆外径(mm) :	16
Max cable diameter	
节距 T Pitch(mm) :	29.5(每米34节)(34 segments/m)
最大水平悬空长度(m) :	1
Unsupported Straight Length	
可选弯曲半径R(mm):	38、50、75
Optional Bending Radius	

应用场合 Application:

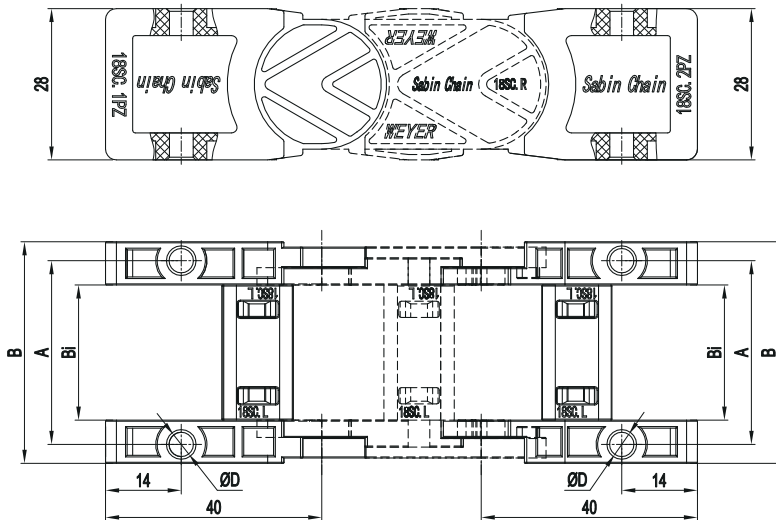
可用于负载较轻, 中短距离, 低速、低噪运动等场合。

It can be used for lighter loads, short and medium distances, low-speed and low-noise movements.

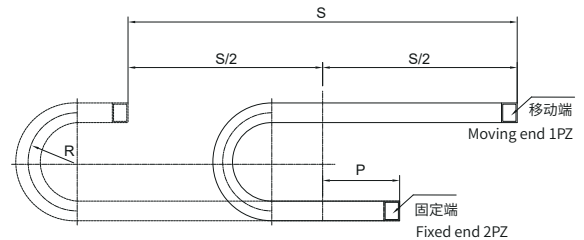
拖链型号 Type	内宽 Inner Width Bi(mm)	外宽 Outer Width Ba(mm)	对应固定接头型号 Fixing connector	A (mm)	B (mm)	ΦD (mm)
18SC.25.R	25	39	18SC.25.12PZ	34	41	4.5
18SC.37.R	37	51	18SC.37.12PZ	46	53	4.5
18SC.50.R	50	64	18SC.50.12PZ	59	66	4.5

**：订购时, 必须从可选弯曲半径R中选择合适的、确切的数值
Select a suitable and exact value R when ordering.

安装示意图 Installation Diagram



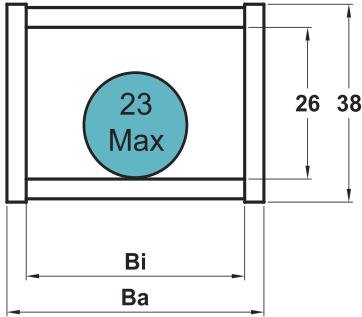
拖链安装接头
Installation of end connectors



拖链长度 $L = S/2 + \pi R + K$ (安装余量)
Length of chains: $L = S/2 + \pi R + K$ (Surcharge)
 $K = P + (2 \sim 3)T$

26SC系列静音拖链 - 双侧可打开 26SC Series - Openable from Both Sides

主要技术参数 Main Technical Parameters

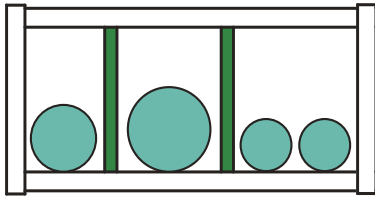


内高 Inner Height(mm) :	26
最大允许电缆外径(mm) :	23
Max cable diameter	
节距 T Pitch(mm) :	38(每米26节)(26 segments/m)
最大水平悬空长度(m) :	2
Unsupported Straight Length	
可选弯曲半径R(mm):	50、75、100、125、150、200、250
Optional Bending Radius	

应用场合 Application:

可用于负载较重, 中长距离, 高速、低噪运动等场合。

It can be used for heavy loads, medium and long distances, high speeds and low noise movements.

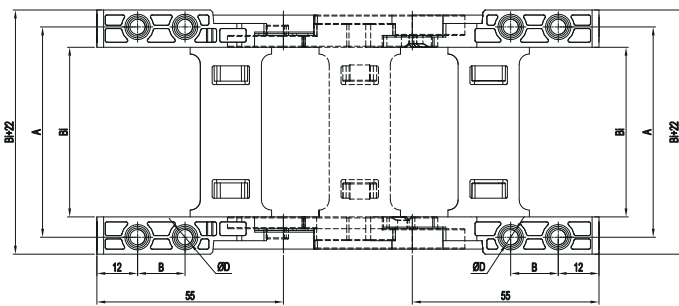
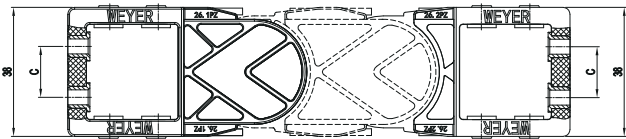


分隔片
Separator

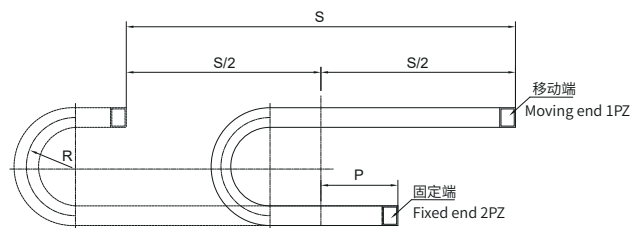
拖链型号 Type	内宽 Inner Width Bi(mm)	外宽 Outer Width Ba(mm)	对应固定接头型号 Fixing connector	A (mm)	B (mm)	C (mm)	ΦD (mm)
26SC.40.R	40	59	26SC.40.12PZ	52	14	15	4.5
26SC.50.R	50	69	26SC.50.12PZ	62	14	15	4.5
26SC.75.R	75	94	26SC.75.12PZ	87	14	15	4.5
26SC.100.R	100	119	26SC.100.12PZ	112	14	15	4.5
26SC.125.R	125	144	26SC.125.12PZ	137	14	15	4.5
26SC.150.R	150	169	26SC.150.12PZ	162	14	15	4.5

**：订购时，必须从可选弯曲半径R中选择合适的、确切的数值
Select a suitable and exact value R when ordering.

安装示意图 Installation Diagram



拖链示意图
Cable chain diagram



可选附件 Accessories:

竖隔片 Vertical Separator : 26.01VS/26.02VS/26.03VS/26.04VS

横隔片 Shelf: 35.SL50/35.SL75/35.SL100

梳状板 Comb plate : SZB26-50M/SZB26-75M

拖链长度 $L = S/2 + \pi R + K$ (安装余量)
Length of chains: $L = S/2 + \pi R + K$ (Surcharge)
 $K = P + (2 \sim 3)T$

静音拖链安装和拆卸 Installation and Disassembly of Mute Cable Chains

四面均可打开,可从上面或下面直接将电缆、气管、油管等放置进拖链内部。

All four sides can be opened so that cables, gas pipes, oil pipes can be placed inside the chains directly from above or below.



拆卸第1步:

打开盖板 (打开上面盖板及下面盖板)
用平头螺丝刀以45°斜度插入盖板左侧的上面的间隙,往上撬开盖板左侧。以同样方法撬开盖板右侧。

Open the cover plates (open the upper cover plate and the lower cover plate)
Insert a flathead screwdriver into the gap above the left side of the cover plate at a 45° incline and pry upward to open the left side of the cover plate. Pry open the right side of the cover in the same way.



拆卸第2步:

拖链拆分,在链节与链节之间用平头螺丝刀往外撬,使销与孔分离。

Disassembly step 2:
Disassemble the cable chains: use a flathead screwdriver to pry out between the chain links to separate the pin from the hole.



拆卸第3步:

拖链拆分,将拖链链节分离。

Disassembly step 3:
Cable chain disassembly,
Separate the cable chain link.



安装第1步:

将拖链链节一侧对上。

Assembly step 1:
Align one link to another.



安装第2步:

将拖链链节另一侧安装到位。

Installation step 2:
Install the other side of the chain links in place.



安装第3步:

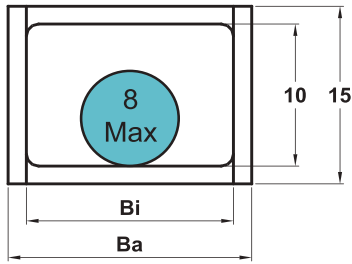
安装盖板,然后用力按住盖板上部,使盖板旋转进入卡槽中,如较紧的话,可用橡胶锤敲进去。

Installation step 3: Then press the top part of the cover plate to rotate the cover plate into the slot, if too tight, a rubber hammer can be used to knock it in.

微型10系列-不能打开 Minitype 10 Series-Non-openable

主要技术参数

Main Technical Parameters



内高 Inner Height(mm) :	10
最大允许电缆外径(mm) :	8
Max Cable Diameter	
节距 T Pitch(mm) :	20 (每米50节) (50 segments/m)
最大水平悬空长度(m) :	0.8
Unsupported Straight Length	
可选弯曲半径R(mm):	18、28、38
Optional Bending Radius	

拖链型号 Type	内宽 Inner width Bi(mm)	外宽 Outer width Ba(mm)	对应固定接头型号 Fixing connector	A (mm)	B (mm)	ΦD (mm)
10.10.R	10	18	10.10.12PZ	18	9	3.5
10.15.R	15	24	10.15.12PZ	24	9	3.5

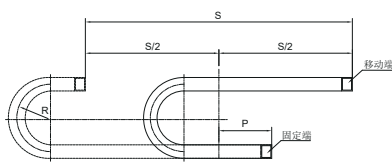
实际安装高度: $H_f = H + 10\text{mm}$ (0.2kg/m 负载)

Required clearance height: $H_f = H + 10\text{mm}$ (0.2kg/m load)

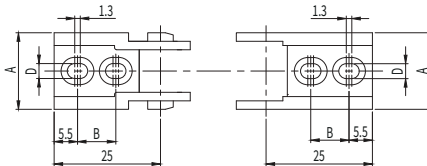
** : 订购时, 必须从可选弯曲半径R中选择合适的、确切的数值

Select a suitable and exact value R when ordering.

安装示意图 Installation Diagram



拖链长度 $L = S/2 + \pi R + K$ (安装余量)
Length of chains: $L = S/2 + \pi R + K$ (Surcharge)
 $K = P + (2 \sim 3)T$



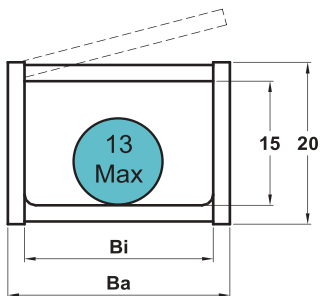
拖链安装接头
Installation of end connectors



微型15系列-单面打开 Minitype 15 Series-Openable from One Side

主要技术参数

Main Technical Parameters



内高 Inner Height(mm) :	15
最大允许电缆外径(mm) :	13
Max Cable Diameter	
节距 T Pitch(mm) :	26.5 (每米38节) (38 segments/m)
最大水平悬空长度(m) :	1.0
Unsupported Straight Length	
可选弯曲半径R(mm):	28、38、50
Optional Bending Radius	

拖链型号 Type	内宽 Inner width Bi(mm)	外宽 outer width Ba(mm)	对应固定接头型号 Fixing connector	A (mm)	B (mm)	ΦD (mm)
15.20.R	20	29	15.20.12PZ	29	12	4.5
15.30.R	30	40	15.30.12PZ	40	24	4.5
15.50.R	50	60	15.50.34PZ	59	42	4.5

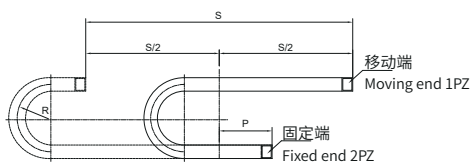
实际安装高度:
 $H_f = H + 15\text{mm}$ (0.3kg/m 负载)

Required clearance height:
 $H_f = H + 15\text{mm}$ (0.3kg/m load)

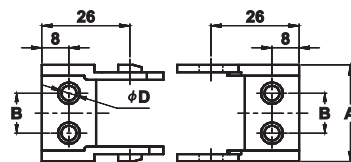
** : 订购时, 必须从可选弯曲半径R中选择合适的、确切的数值

Select a suitable and exact value R when ordering.

安装示意图 Installation Diagram



拖链长度 $L = S/2 + \pi R + K$ (安装余量)
Length of chains: $L = S/2 + \pi R + K$ (Surcharge)
 $K = P + (2 \sim 3)T$



拖链安装接头
Installation of end connectors

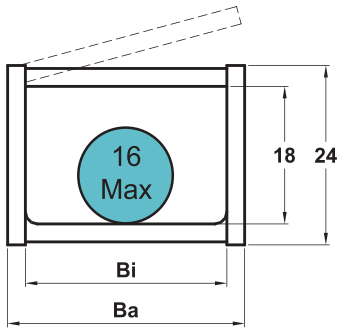


可选附件: 隔片: 15.01VS

18系列-内侧可打开 18 Series-Openable from Inner Side

主要技术参数

Main Technical Parameters



内高 Inner Height(mm) :	18
最大允许电缆外径(mm) :	16
Max Cable Diameter	
节距 T Pitch(mm) :	33.5(每米30节)(30 segments/m)
最大水平悬空长度(m) :	1.2
Unsupported Straight Length	
可选弯曲半径R(mm):	38、50、75
Optional Bending Radius	

应用场合 Application:

可应用于负载较轻, 中短距离, 低速运动等场合

It can be used for light loads, short or medium distances, and low-speed movements.

拖链型号 Type	内宽 Inner width Bi(mm)	外宽 Outer width Ba(mm)	对应固定接头型号 Fixing connector	带梳状板接头型号 Fixing connector with comb	A (mm)	B (mm)	ΦD (mm)
18.25.R	25	36	18.25.12PZ	18.25.34PZ	36	15	4.5
18.37.R	37	49	18.37.12PZ	18.37.34PZ	49	25	4.5
18.50.R	50	63	18.50.12PZ	18.50.34PZ	63	35	4.5

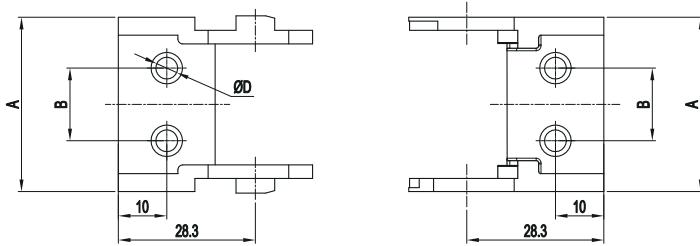
实际安装高度: $H_f = H + 20\text{mm}$ (0.5kg/m 负载)

Required clearance height: $H_f = H + 20\text{mm}$ (0.5kg/m load)

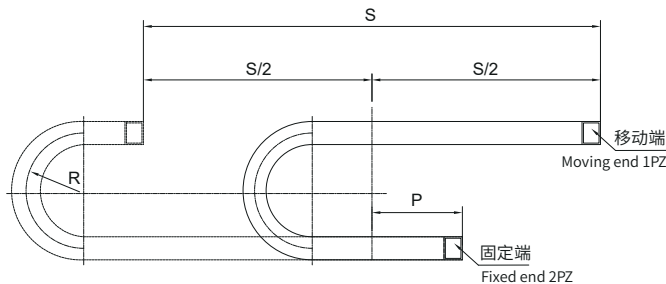
** : 订购时, 必须从可选弯曲半径R中选择合适的、确切的数值

Select a suitable and exact value R when ordering.

安装示意图 Installation Diagram



拖链安装接头
Installation of end connectors



拖链长度 $L = S/2 + \pi R + K$ (安装余量)

Length of chains: $L = S/2 + \pi R + K$ (Surcharge)

$K = P + (2 \sim 3)T$



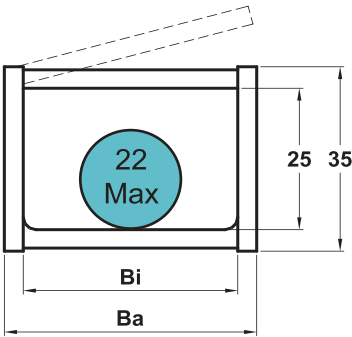
可选附件 Accessories:

隔片 Separator: 18.01VS

25不封闭系列-内侧可打开 25 Non-closed Series-Openable from Inner Side

主要技术参数

Main Technical Parameters



内高 Inner Height(mm) :	25
最大允许电缆外径(mm) :	22
Max Cable Diameter	
节距 T Pitch(mm) :	46(每米22节)(22 segments/m)
最大水平悬空长度(m) :	2.25
Unsupported Straight Length	
最大允许行程	70
Max Travel Distance(m):	
最大允许垂直悬挂	30
Max Vertical Hanging(m):	
可选弯曲半径R(mm):	55、75、100、125、150、200、250
Optional Bending Radius	



应用场合 Application:

可应用于负载较轻, 中短距离, 低速运动等场合

It can be used for light loads, short or medium distances, and low-speed movements.

拖链型号 Type	内宽 Inner width Bi(mm)	外宽 Outer width Ba(mm)	对应固定接头型号 Fixing connector	带梳状板接头型号 Fixing connector with comb	A (mm)	B (mm)
25.38.R	38	54	25.38.12PZ	25.38.34PZ	54	25
25.57.R	57	73	25.57.12PZ	25.57.34PZ	73	44
25.77.R	77	93	25.77.12PZ	25.77.34PZ	93	64
25.103.R	103	119	25.103.12PZ	25.103.34PZ	119	90

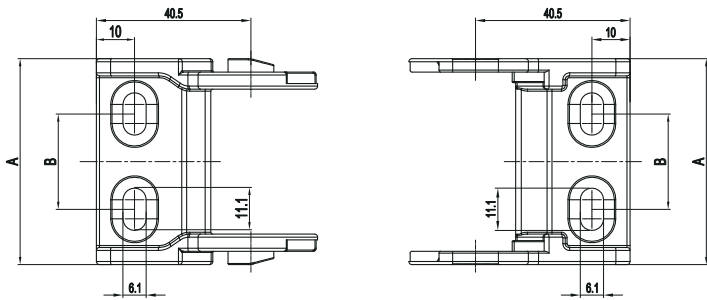
实际安装高度: $H_f = H + 25\text{mm}$ (1.5kg/m 负载)

** : 订购时, 必须从可选弯曲半径R中选择合适的、确切的数值

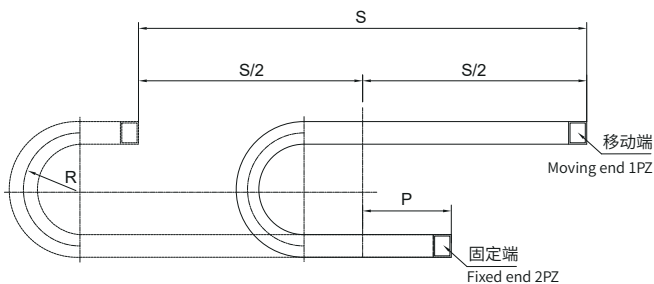
Required clearance height: $H_f = H + 25\text{mm}$ (1.5kg/m load)

Select a suitable and exact value R when ordering.

安装示意图 Installation Diagram



拖链安装接头
Installation of end connectors



拖链长度 $L = S/2 + \pi R + K$ (安装余量)

Length of chains: $L = S/2 + \pi R + K$ (Surcharge)

$K = P + (2 \sim 3)T$



可选附件 Accessories:

隔片 Separator: 25.01VS

25系列及以下规格拖链的安装和拆卸

Installation and Disassembly of Cable Chains Series 25 or Smaller

10系列拖链不可打开安装, 电缆, 气管等必须从起始端开始穿线至终端;

Series 10 cable chains are not openable, cables or pipes must be threaded from the beginning to the end;



拆卸第1步:
用平头螺丝刀插入拖链链节处往外撬, 使轴销与孔分离;
Disassembly step 1:
Insert the flat head screwdriver into the cable chain link and pry it out to separate the shaft pin from the hole;



拆卸第2步:
稍用力将拖链链节完全分离, 即完成拆卸;
Disassembly step 2:
Use a little force to completely separate the cable chain links, that is, complete the disassembly;



安装第1步
将拖链链节位置对准, 用力将轴销推入孔中即可;
Installation step 1:
Align the position of the cable chain link and push the shaft pin into the hole with force.



安装第2步
拖链安装到位;
Installation step 2:
Cable chain installed in place. hands



电缆放置:
电缆只能从头往后穿。
Cable placement:
The cable can only be run from head to back.

15、18系列拖链单面可打开安装, 电缆, 气管等可以直接放置进拖链内部;

15 & 18 series cable chains can be installed with one side open, so that cables and pipes can be placed directly inside the chain;



拆卸第1步:
打开盖板, 用平头螺丝刀从侧面插入搭扣下的间隙, 往上撬, 使卡扣脱离;
Disassembly step 1:
open the cover plate, insert a flat screwdriver into the gap under the buckle from the side and pry it up to separate the buckle;



拆卸第2步:
打开盖板, 将盖板旋转至极限位置, 在这一步可以将电缆等直接放入拖链内;
Disassembly step 2:
Open the cover, rotate the cover plate to the limit position. In this step, the cable can be directly put into the cable chain;



拆卸第3步
在链节与链之间用平头螺丝刀往外撬, 使销与孔分离;
Disassembly step 3
Pry out the chain link with a flat head screwdriver to separate the pin from the hole;



安装第1步:
将拖链链节位置对准, 用力将轴销推入孔中即可;
Installation step 1:
Align the position of the cable chain link and push the shaft pin into the hole with force;



安装第2步
旋转盖板, 用手指将横杆的卡扣压入卡槽中。
Installation step 2
Rotate the cover plate and press the clip of the cross bar into the slot with your fingers.

25系列拖链可单面打开安装, 电缆, 气管等可以直接放置进拖链内部;

25 series cable chains can be installed with one side open, so that cables and pipes can be placed directly inside the chain;



拆卸第1步:
用平头螺丝刀插入盖板间隙, 用力往上撬开盖板;
Disassembly step 1:
Insert the flat head screwdriver into the gap of the cover plate and pry the cover plate upward;



拆卸第2步:
用平头螺丝刀将盖板另一边撬开, 即可取下盖板;
Disassembly step 2:
Pry the other side of the cover plate with a flat screwdriver to remove the cover plate;



拆卸第3步:
在拖链链节之间用平头螺丝刀往外撬, 使销与孔分离;
Disassembly step 3:
Pry out the cable chain links with a flat head screwdriver to separate the pin from the hole;



拆卸第4步:
稍用力将拖链链节完全分离, 即完成拆卸;
Disassembly step 4:
Use a little force to completely separate the cable chain links;



安装第1步:
将拖链链节位置对准, 用力将轴销推入孔中即可;
Installation step 1:
Align the position of the cable chain link and push the shaft pin into the hole with force;

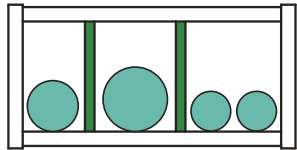
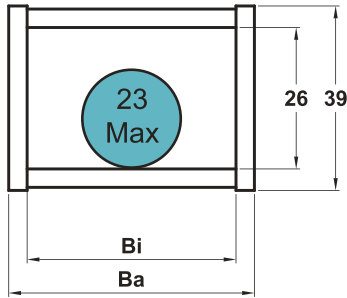


安装第2步:
将盖板安装到拖链的卡槽中;
Installation step 2:
Install the cover plate into the slot of the cable chain.

26不封闭系列-双面可打开 26 Non-closed Series-Openable from Both Sides

主要技术参数

Main Technical Parameters



分隔片
Separator

内高 Inner Height(mm) :	26
最大允许电缆外径(mm) :	23
Max Cable Diameter	
节距 T Pitch(mm) :	46(每米22节)(22 segments/m)
最大水平悬空长度(m) :	2.5
Unsupported Straight Length	
最大允许行程	100
Max Travel Distance(m):	
最大允许垂直悬挂	40
Max Vertical Hanging(m):	
可选弯曲半径R(mm):	60、75、100、125、150、200、250
Optional Bending Radius	

应用场合 Application:

可应用于负载较重, 中长距离, 高速运动, 环境恶劣等场合

It can be used for heavy loads, medium and long distances, high-speed movements, and harsh environments.

拖链型号 Type	内宽 Inner width Bi(mm)	外宽 Outer width Ba(mm)	对应固定接头型号 Fixing connector	A (mm)	B (mm)	C (mm)	ΦD (mm)
26.40.R	40	58	26.40.12PZ	52	14	15	4.5
26.50.R	50	68	26.50.12PZ	62	14	15	4.5
26.75.R	75	93	26.75.12PZ	87	14	15	4.5
26.100.R	100	118	26.100.12PZ	112	14	15	4.5
26.125.R	125	143	26.125.12PZ	137	14	15	4.5
26.150.R	150	168	26.150.12PZ	162	14	15	4.5

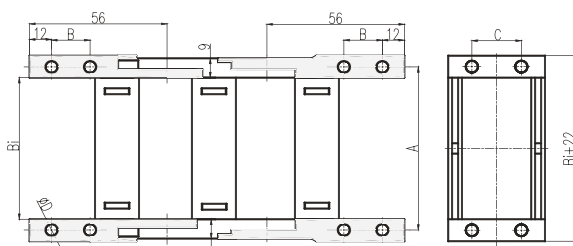
实际安装高度: $H_f = H + 30\text{mm}$ (1.5kg/m 负载)

Required clearance height: $H_f = H + 30\text{mm}$ (1.5kg/m load)

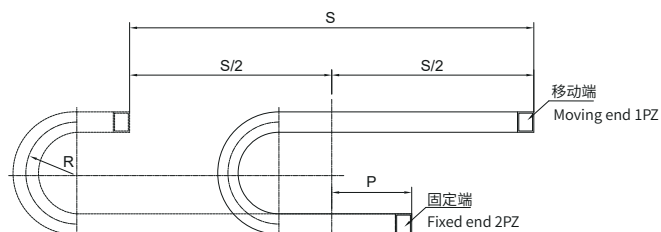
** : 订购时, 必须从可选弯曲半径R中选择合适的、确切的数值

Select a suitable and exact value R when ordering.

安装示意图 Installation Diagram



拖链示意图
Cable chain diagram



拖链长度 $L = S/2 + \pi R + K$ (安装余量)

Length of chains: $L = S/2 + \pi R + K$ (Surcharge)

$K = P + (2 \sim 3)T$



可选附件 Accessories:

竖隔片 vertical separator : 26.01VS/26.02VS/26.03VS/26.04VS

横隔板 Shelf : 35.SL50/35.SL75/35.SL100

梳状板 Comb plate : SZB26-50M/SZB26-75M

26系列拖链附件参数 26 Series Cable Chain Accessories Parameters

26系列附件: 26 Series Accessories

竖隔片 Separator

•功能:

竖隔片是安装在拖链内部, 以上下盖板为固定位置, 主要作用是分隔开左右两侧的电缆。

Function: Vertical separators are installed inside the cable chain to separate cables.

•使用说明:

26.01VS无隔片扣位, 与盖板采用过盈配合, 在需要对隔片位置进行微调时, 可不用拆卸盖板, 只用施加较大的力即可, 方便安装满足客户多种需求; 可以适配横隔片, 横隔片可以从26.01VS中穿过。

Instructions: 26.01VS separator can be installed without disassembling the cover plates and used with shelves. Shelves can pass through the separators.

26.02VS 通过中间的扣位安装固定横隔片, 通过上下扣位固定在拖链盖板上, 必须要紧靠节板内侧。

26.02VS is fitted with fixed separators through the center buckles and fixed to the cable chain cover through the upper and lower buckles, which must be tightened against the inside of the knuckle plate.

26.03VS通过隔片的上下扣位与盖板槽位配合固定在拖链盖板上, 中间扣位用于连接固定两件或多件横隔片, 横隔片不能从26.03VS中穿过, 增加横隔片时需要配合26.02VS一起使用;

26.03VS is fixed on the cable chain cover through the upper and lower buckles and the cover slot, the middle buckle is used for connecting and fixing two or more pieces of the shelves, the shelves can not be passed through 26.03VS, and it is necessary to use it together with the 26.02VS when adding more shelves;

26.04VS安装固定方式与26.03VS相同, 在具有和26.03VS相同功能同时, 26.04VS 因为存在梳齿, 电缆可以通过扎带方便的固定在梳齿上, 起到固定电缆去除应力作用。

Used in the same way as 26.03VS. Different from it, 26.04VS is comb type, the cables can be easily fixed to the comb teeth by means of a cable tie, which serves to fix the cables to remove the stress.



26.01VS 26.02VS 26.03VS 26.04VS



26.01VS 安装示意图



26.02VS 安装示意图



26.03VS 安装示意图



26.04VS 安装示意图

横隔片 Shelf (通用35系列横隔片)

•使用说明:

横隔片应与26.01VS、26.02VS、26.03VS、26.04VS竖隔片配合使用; 当横隔片的长度不满足需求时, 可以选择两件或多件横隔片配合竖隔片一起使用 (选择26.03VS或者26.04VS连接固定)。

Instructions: Shelves should be used in conjunction with 26.01VS, 26.02VS, 26.03VS, 26.04VS separators; when the length of the shelf is not sufficient, two or more shelves can be used in conjunction with the separators (choose 26.03VS or 26.04VS to fix the connection).



35.SL50 35.SL75 35.SL100

梳状板 Comb Plate

•功能:

梳状板主要是安装在非封闭拖链盖板上, 电缆可通过扎带很方便的固定在梳齿上, 起固定电缆、去除应力的作用。

Function: The comb Plate is mainly installed on the cover plate of the non-closed cable chain, and the cable can be easily fixed on the teeth with a cable tie to fix the cable and remove the stress.



SZB26-50M SZB26-75M

说明:

26系列在水平向上, 由于其高度的原因, 目前只能上下分两层。

26系列在竖直方向上, 根据盖板的长度及客户的需求不同, 隔开的部分而不同, 但由于横隔片的长度的限制, 目前隔开部分的宽度可以为50mm、75mm、100mm。

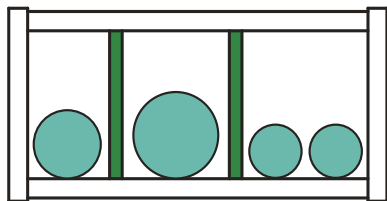
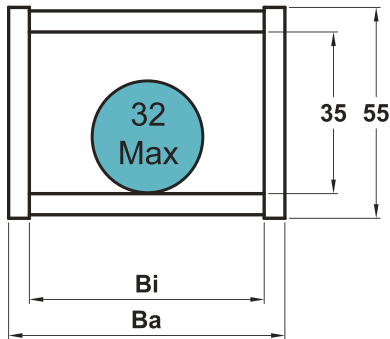
26系列拖链可以同时水平及竖直方向隔开, 已达到客户的需求, 具体隔开尺寸可以参考水平方向及竖直方向。

Note:

1. The 26 series chains can only be divided into two layers due to its height in its horizontal direction.
2. Different separation figuration can be done as per customer's request. But due to the length of the cover, now we only have 50mm、75mm and 100mm width separator.
3. Customer can use both separator and shelf to arrange the vertical and horizontal separation.

35不封闭系列-双面可打开 35 Non-closed Series-Openable from Both Sides

主要技术参数 Main Technical Parameters



分隔片
Separator

内高 Inner Height(mm) :	35
最大允许电缆外径(mm) :	32
Max Cable Diameter	
节距 T Pitch(mm) :	56(每米18节)(18 segments/m)
最大水平悬空长度(m) :	3
Unsupported Straight Length	
最大允许行程	140
Max Travel Distance(m):	
最大允许垂直悬挂	50
Max Vertical Hanging(m):	
可选弯曲半径R(mm):	75、100、125、150、200、250、300
Optional Bending Radius	

应用场合 Application:

可应用于负载较重,长距离,高速运动,环境恶劣等场合

It can be used for heavy loads, long distances, high speeds and harsh environments.

拖链型号 Type	内宽 Inner width Bi(mm)	外宽 Outer width Ba(mm)	对应固定接头型号 Fixing connector	A (mm)	B (mm)	C (mm)	ΦD (mm)
35.50.R	50	74	35.50.12PZ	65	22.5	22	5.5
35.75.R	75	99	35.75.12PZ	90	22.5	22	5.5
35.100.R	100	124	35.100.12PZ	115	22.5	22	5.5
35.125.R	125	149	35.125.12PZ	140	22.5	22	5.5
35.150.R	150	174	35.150.12PZ	165	22.5	22	5.5
35.175.R	175	199	35.175.12PZ	190	22.5	22	5.5
35.200.R	200	224	35.200.12PZ	215	22.5	22	5.5
35.250.R	250	274	35.250.12PZ	265	22.5	22	5.5

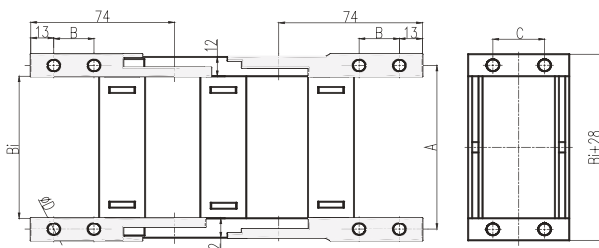
实际安装高度: $H_f = H + 40\text{mm}$ (2.0kg/m 负载)

Required clearance height: $H_f = H + 40\text{mm}$ (2.0kg/m load)

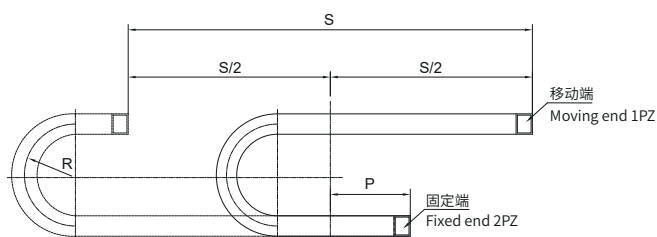
** : 订购时, 必须从可选弯曲半径R中选择合适的、确切的数值

Select a suitable and exact value R when ordering.

安装示意图 Installation Diagram



拖链示意图
Cable chain diagram



拖链长度 $L = S/2 + \pi R + K$ (安装余量)

Length of chains: $L = S/2 + \pi R + K$ (Surcharge)

$K = P + (2 \sim 3)T$



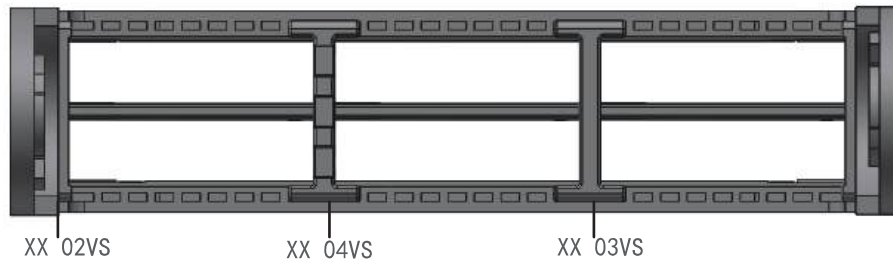
可选附件 Accessories:

竖隔片 Vertical separator : 35.01VS/35.02VS/35.03VS/35.04VS

横隔片 Shelf : 35.SL50/35.SL75/35.SL100

梳状板 Comb plate : SZB35-50M/SZB35-75M/SZB35-100M

35系列拖链附件参数 35 Series Cable Chain Accessories Parameters



35系列附件:35 Series Accessories

竖隔片 Separator

•功能:

竖隔片是安装在拖链内部,以拖链上下盖板为固定位置,主要作用是分隔开左右两侧的电缆。

Function: Vertical separators are installed inside the cable chain to separate cables.

•使用说明:

请参考26系列拖链附件竖隔片参数。

Instructions: Please refer to the parameters of the separators of the 26 series separators.



35.01VS

35.02VS

35.03VS

35.04VS

横隔片 Shelf (35系列横隔片 35 Series Shelves)

•功能:

横隔片是安装在竖隔片上,主要作用是分隔开上下方向的电缆。

Function: The shelf is installed on the separator, to separate cables.

•使用说明:

请参考26系列拖链附件横隔片参数,横隔片应与35.01VS、35.02VS、35.03VS、35.04VS竖隔片配合使用。

Instructions: Please refer to the parameters of the 26 series shelves. The shelves should be used in conjunction with the 35.02VS, 35.03VS, and 35.04VS separators.



35.SL50

35.SL75

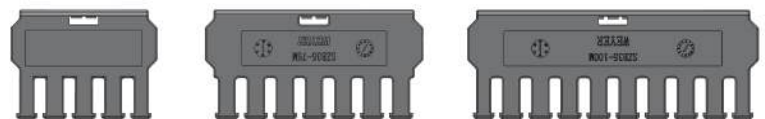
35.SL100

梳状板 Comb Plate

•功能:

梳状板主要是安装在非封闭拖链盖板上,电缆可通过扎带很方便的固定在梳齿上,起固定电缆、去除应力的作用。

Function: The comb plate is mainly installed on the cover plate of the non-closed cable chain, and the cable can be easily fixed on the teeth with a cable tie to fix the cable and remove the stress.



SZB35-50M

SZB35-75M

SZB35-100M

说明:

35系列在水平方向上,由于其高度的原因,目前只能最多三层

35系列在竖直方向上,根据盖板的长度及客户的需求不同,隔开的部分而不同,但由于隔横片的长度的限制,目前隔开部分的宽度可以为50mm、75mm、100mm。

35系列拖链可以同时水平及竖直方向隔开,已达到客户的需求,具体隔开尺寸可以参考水平方向及竖直方向。

Note:

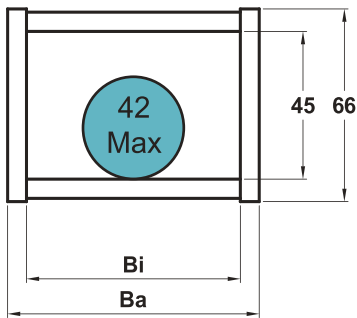
1. The 35 series chains can only be divided into three layers due to its height in its horizontal direction.

2. Different separation figuration can be done as per customer's request. But due to the length of the cover, now we only have 50mm、75mm and 100mm width separators.

3. Customer can use both separator and shelf to arrange the vertical and horizontal separation.

45不封闭系列-双面可打开 45 Non-closed Series-Openable from Both Sides

主要技术参数 Main Technical Parameters

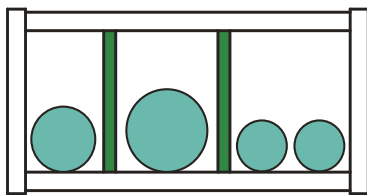


内高 Inner Height(mm) :	45
最大允许电缆外径(mm) :	42
Max Cable Diameter	
节距 T Pitch(mm) :	67(每米15节)(15 segments/m)
最大水平悬空长度(m) :	4
Unsupported Straight Length	
最大允许行程	200
Max Travel Distance(m):	
最大允许垂直悬挂	70
Max Vertical Hanging(m):	
可选弯曲半径R(mm):	75、100、125、150、200、250、300
Optional Bending Radius	

应用场合 Application:

可应用于负载较重, 长距离, 高速运动, 环境恶劣等场合

It can be used for heavy loads, long distances, high speeds and harsh environments.



分隔板
Separator

拖链型号 Type	内宽 Inner width Bi(mm)	外宽 Outer width Ba(mm)	对应固定接头型号 Fixing connector	A (mm)	B (mm)	C (mm)	ΦD (mm)
45.50.R	50	78	45.50.12PZ	67	22.5	22	6.5
45.75.R	75	103	45.75.12PZ	92	22.5	22	6.5
45.100.R	100	128	45.100.12PZ	117	22.5	22	6.5
45.125.R	125	153	45.125.12PZ	142	22.5	22	6.5
45.150.R	150	178	45.150.12PZ	167	22.5	22	6.5
45.175.R	175	203	45.175.12PZ	192	22.5	22	6.5
45.200.R	200	228	45.200.12PZ	217	22.5	22	6.5
45.250.R	250	278	45.250.12PZ	267	22.5	22	6.5

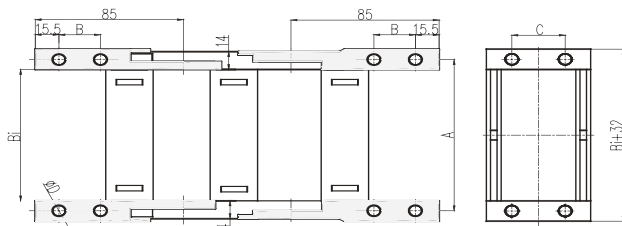
实际安装高度:Hr=H+40mm (3.0kg/m 负载)

Required clearance height:Hr=H+40mm (3.0kg/m load)

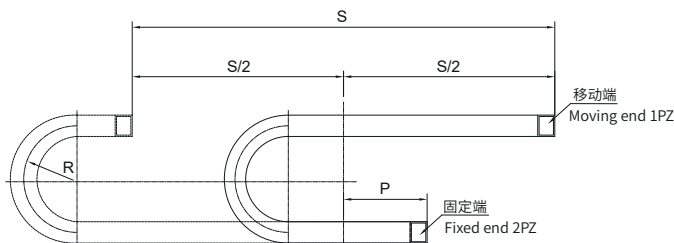
** : 订购时, 必须从可选弯曲半径R中选择合适的、确切的数值

Select a suitable and exact value R when ordering.

安装示意图 Installation Diagram



拖链示意图
Cable chain diagram



拖链长度L=S/2+πR+K(安装余量)

Length of chains: L=S/2+πR+K(Surcharge)

K=P+(2~3)T



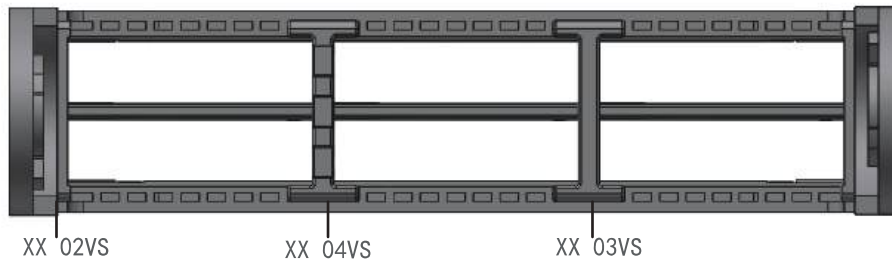
可选附件 Accessories:

竖隔板 Vertical separator : 45.01VS/45.02VS/45.03VS/45.04VS

横隔板 Shelf : 35.SL50/35.SL75/35.SL100

梳状板 Comb Plate : SZB35-50M/SZB35-75M/SZB35-100M

45系列拖链附件参数 45 Series Cable Chain Accessories Parameters



45系列附件:45 Series Accessories

竖隔片 Separator

•功能:

竖隔片是安装在拖链内部,以拖链上下盖板为固定位置,主要作用是分隔开左右两侧的电缆。

Function: Vertical separators are installed inside the cable chain to separate cables.

•使用说明:

请参考26系列拖链附件竖隔片参数。

Instructions: Please refer to the parameters of the 26 series separators.



45.01VS



45.02VS



45.03VS



45.04VS

横隔片 Shelf (通用35系列横隔片 Use 35 series shelves)

•功能:

横隔片是安装在竖隔片上,主要作用是分隔开上下方向的电缆。

Function: The shelf is installed on the separator, and its main function is to separate the cables in the up and down direction.

•使用说明:

请参考26系列拖链附件横隔片参数,横隔片应与45.01VS、45.02VS、45.03VS、45.04VS竖隔片配合使用。

Instructions: Please refer to the parameters of the 26 series shelves. The shelves should be used in conjunction with the 45.02VS, 45.03VS, and 45.04VS separators.



35.SL50



35.SL75



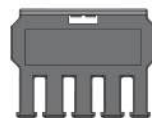
35.SL100

梳状板 Comb Plate

•功能:

梳状板主要是安装在非封闭拖链盖板上,电缆可通过扎带很方便的固定在梳齿上,起固定电缆、去除应力的作用。

Function: The comb plate is mainly installed on the cover plate of the non-closed cable chain, and the cable can be easily fixed on the teeth with a cable tie to fix the cable and remove the stress.



SZB35-50M



SZB35-75M



SZB35-100M

说明:

45系列在水平向上,由于其高度的原因,目前只能最多三层

45系列在竖直方向上,根据盖板的长度及客户的需求不同,隔开的部分而不同,但由于横隔片的长度的限制,目前隔开部分的宽度可以为50mm、75mm、100mm。

45系列拖链可以同时水平及竖直方向隔开,已达到客户的需求,具体隔开尺寸可以参考水平方向及竖直方向。

Note:

1. The 45 series chains can only be divided into three layers due to its height in its horizontal direction.

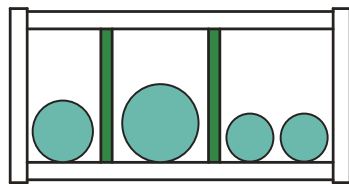
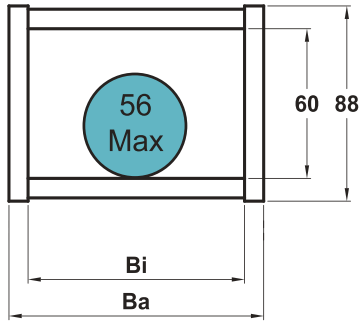
2. Different separation figuration can be done as per customer's request. But due to the length of the cover, now we only have 50mm、75mm and 100mm width separators.

3. Customer can use both separator and shelf to arrange the vertical and horizontal separation

60不封闭系列-双面可打开 60 Non-closed Series-Openable from Both Sides

主要技术参数

Main Technical Parameters



分隔片
Separator

内高 Inner Height(mm) :	60
最大允许电缆外径(mm) :	56
Max Cable Diameter	
节距 T Pitch(mm) :	91(每米11节)(11 segments/m)
最大水平悬空长度(m) :	4.8
Unsupported Straight Length	
最大允许行程	280
Max Travel Distance(m):	
最大允许垂直悬挂	70
Max Vertical Hanging(m):	
可选弯曲半径R(mm):	100、125、150、200、250、300、350、400、500
Optional Bending Radius	

应用场合 Application:

可应用于负载较重, 长距离, 高速运动, 环境恶劣等场合

It can be used for heavy loads, long distances, high speeds and harsh environments.

拖链型号 Type	内宽 Inner width Bi(mm)	外宽 Outer width Ba(mm)	对应固定接头型号 Fixing connector	A (mm)	B (mm)	C (mm)	ΦD (mm)
60.75.R	75	111	60.75.12PZ	95	35	45	9
60.100.R	100	136	60.100.12PZ	120	35	45	9
60.125.R	125	161	60.125.12PZ	145	35	45	9
60.150.R	150	186	60.150.12PZ	170	35	45	9
60.175.R	175	211	60.175.12PZ	195	35	45	9
60.200.R	200	236	60.200.12PZ	220	35	45	9
60.250.R	250	286	60.250.12PZ	270	35	45	9
60.300.R	300	336	60.300.12PZ	320	35	45	9
60.350.R	350	386	60.350.12PZ	370	35	45	9
60.400.R	400	436	60.400.12PZ	420	35	45	9

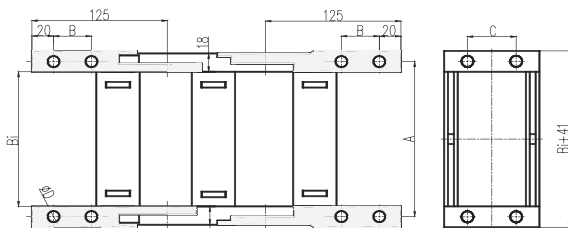
实际安装高度: $H_f = H + 50\text{mm}$ (3.0kg/m 负载)

Required clearance height: $H_f = H + 50\text{mm}$ (3.0kg/m load)

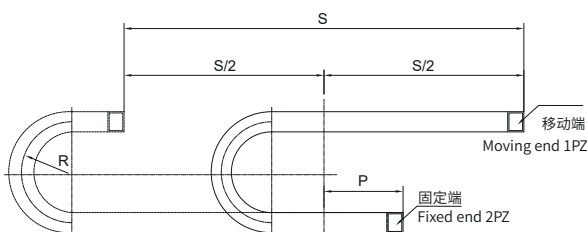
** : 订购时, 必须从可选弯曲半径R中选择合适的、确切的数值

Select a suitable and exact value R when ordering.

安装示意图 Installation Diagram



拖链示意图
Cable chain diagram



拖链长度 $L = S/2 + \pi R + K$ (安装余量)

Length of chains: $L = S/2 + \pi R + K$ (Surcharge)

$K = P + (2 \sim 3)T$



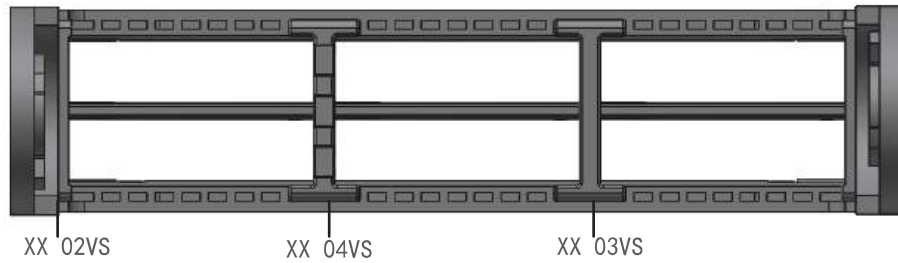
可选附件 Accessories:

竖隔片 Vertical separator : 60.01VS/60.02VS/60.03VS/60.04VS

横隔片 Shelf : 60.SL50/60.SL75/60.SL100

梳状板 Comb Plate : SZB60-100M/SZB60-125M/SZB60-150M/SZB60-175M

60系列拖链附件参数 60 Series Cable Chain Accessories Parameters



60系列附件:60 Series Accessories

竖隔片 Separator

• 功能:

竖隔片是安装在拖链内部,以拖链上下盖板为固定位置,主要作用是分隔开左右两侧的电缆。

Function: Vertical separators are installed inside the cable chain to separate cables.

• 使用说明:

请参考26系列拖链附件竖隔片参数。(注:60.01VS可与35横隔片贯穿安装使用)
Instructions: Please refer to the parameters of the 26 series separators.
(Note: 35 series shelf can be assembled throughout 60.01VS.)



60.01VS



60.02VS



60.03VS



60.04VS

横隔片 Shelf (60系列横隔片)

• 功能:

横隔片是安装在竖隔片上,主要作用是分隔开上下方向的电缆。

Function: The shelf is installed on the separator, to separate cables.

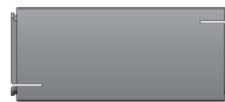
• 使用说明:

请参考26系列拖链附件横隔片参数,横隔片应与60.02VS、60.03VS、60.04VS竖隔片配合使用。

Instructions: Please refer to the parameters of the 26 series shelves. The shelves should be used in conjunction with the 60.02VS, 60.03VS, and 60.04VS separators.



60.SL50



60.SL75



60.SL100

梳状板 Comb Plate

• 功能:

梳状板主要是安装在非封闭拖链盖板上,电缆可通过扎带很方便的固定在梳齿上,起固定电缆、去除应力的作用。

Function: The comb plate is mainly installed on the cover plate of the non-closed cable chain, and the cable can be easily fixed on the teeth with a cable tie to fix the cable and remove the stress.



SZB60-100M



SZB60-125M



SZB60-150M



SZB60-175M

说明:

60系列在水平向上,由于其高度的原因,目前只能最多三层

60系列在竖直方向上,根据盖板的长度及客户的需求不同,隔开的部分而不同,但由于横隔片的长度的限制,目前隔开部分的宽度可以为50mm、75mm、100mm。

60系列拖链可以同时水平及竖直方向隔开,已达到客户的需求,具体隔开尺寸可以参考水平方向及竖直方向。

Note:

1. The 60 series chains can only be divided into three layers due to its height in its horizontal direction.

2. Different separation figuration can be done as per customer's request. But due to the length of the cover, now we only have 50mm、75mm and 100mm width separators.

3. Customer can use both separator and shelf to arrange the vertical and horizontal separation

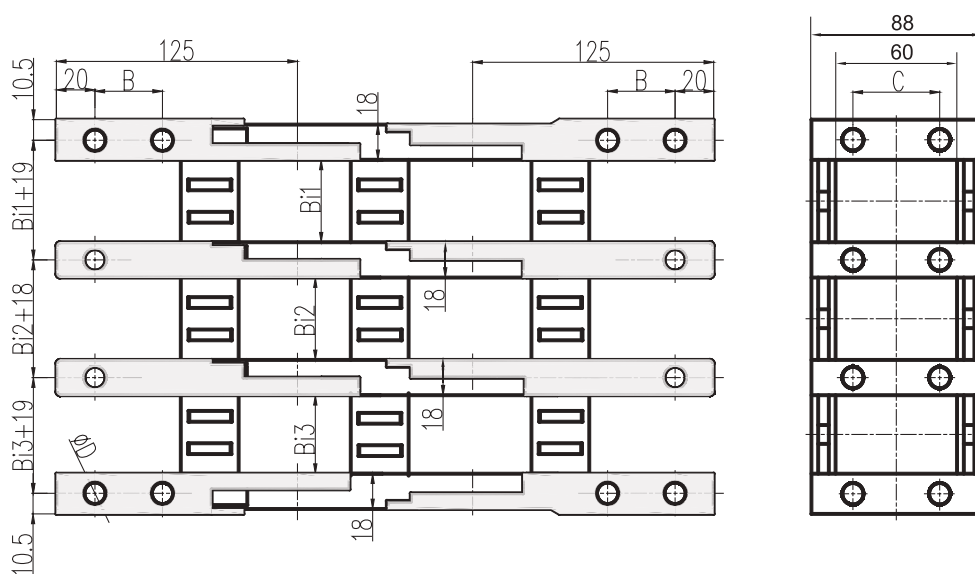
60拓展拖链 60 Extension Cable Chain

拓展拖链:用于需要极宽拖链的应用场合,最宽可达2.5米。

Extension cable chains: for applications requiring extremely wide cable chains up to 2.5m.



- 用于因为负载极大而需要极宽拖链(可达2500毫米)的应用
For applications requiring extremely wide cable chains (up to 2500mm) due to extreme loads. (up to 2500mm)
- 拓展拖链设计使拖链可以几乎无限制地并排连接起来
The extension cable chain design allows virtually limitless side-by-side connection of chains
- 需要高负载时,可以增加拖链的架空长度
The unsupported length of a chain can be increased when additional loads are required
- 适于架空及滑行应用(在导向槽中)
They are suitable for unsupported and gliding applications (in guide slots)



拖链型号 Model	内宽一 Inner width Bi1	内宽二 Inner width Bi2	内宽三 Inner width Bi3	B(mm)	C(mm)	D(mm)	对应该头型号 Fixing connector
60.Bi1/Bi2/Bi3/...R	自选 optional	自选 optional	自选 optional	35	45	9	60.Bi1/Bi2/Bi3/...12PZ

内宽可提供
Optional inner width 75, 100, 125, 150, 175, 200, 250, 300

弯曲半径R可提供
Optional bending radius 100, 125, 150, 200, 250, 300, 350, 400, 500

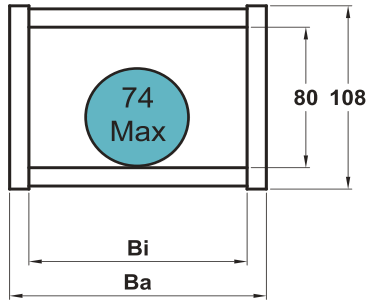
订货举例 Guide To Purchase

当选择内宽为100mm和175mm,弯曲半径为100mm的60系列拖链进行拓展连接时,拖链的型号为60.100/175.100,对应该头型号为60.100/175.12PZ.该拖链外高为88mm,外宽为18+100+18+175+18=329mm

When selecting 60 series cable chain with 100 mm and 175 mm inner widths and 100 mm bending radius for extension connections, the model number is 60.100/175.100, the corresponding connector is 60.100/175.12PZ. The outer height of the cable chain is 88mm, and the outer width of the chain is 18+100+18+175+18=329mm.

80不封闭系列-双面可打开 80 Non-closed Series-Openable from Both Sides

主要技术参数 Main Technical Parameters

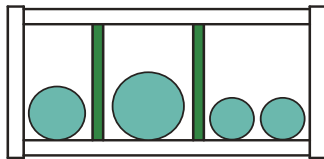


内高 Inner Height(mm) :	80
最大允许电缆外径(mm) :	74
Max Cable Diameter	
节距 T Pitch(mm) :	100(每米10节)(10 segments/m)
最大水平悬空长度(m) :	5.5
Unsupported Straight Length	
最大允许行程	300
Max Travel Distance(m):	
最大允许垂直悬挂	80
Max Vertical Hanging(m):	
可选弯曲半径R(mm):	125、150、200、250、300、350、400、500
Optional Bending Radius	

应用场合 Application:

可应用于负载较重,长距离,高速运动,环境恶劣等场合

It can be used for heavy loads, long distances, high speeds and harsh environments.



分隔片
Separator

拖链型号 Type	内宽 Inner width Bi(mm)	外宽 Outer width Ba(mm)	对应固定接头型号 Fixing connector	A (mm)	B (mm)	C (mm)	ΦD (mm)
80.100.R	100	144	80.100.12PZ	125	35	66	11
80.125.R	125	169	80.125.12PZ	150	35	66	11
80.150.R	150	194	80.150.12PZ	175	35	66	11
80.175.R	175	219	80.175.12PZ	200	35	66	11
80.200.R	200	244	80.200.12PZ	225	35	66	11
80.250.R	250	294	80.250.12PZ	275	35	66	11
80.300.R	300	344	80.300.12PZ	325	35	66	11
80.350.R	350	394	80.350.12PZ	375	35	66	11
80.400.R	400	444	80.400.12PZ	425	35	66	11

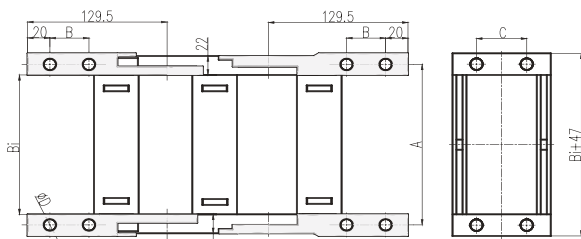
实际安装高度: $H_f = H + 60\text{mm}$ (3.0kg/m 负载)

Required clearance height: $H_f = H + 60\text{mm}$ (3.0kg/m load)

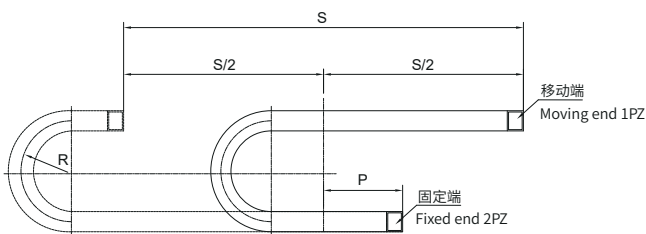
** : 订购时, 必须从可选弯曲半径R中选择合适的、确切的数值

Select a suitable and exact value R when ordering.

安装示意图 Installation Diagram



拖链示意图
Cable chain diagram



拖链长度 $L = S/2 + \pi R + K$ (安装余量)

Length of chains: $L = S/2 + \pi R + K$ (Surcharge)

$K = P + (2 \sim 3)T$



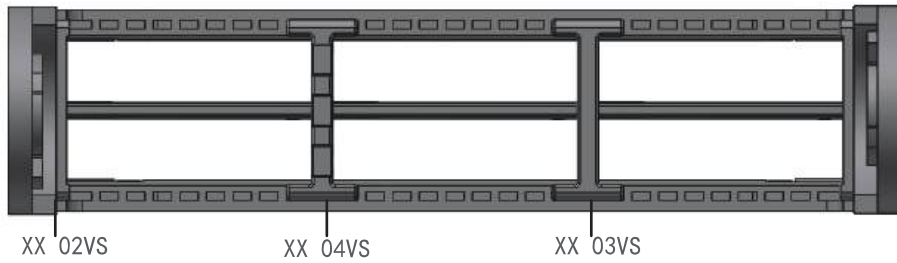
可选附件 Accessories:

竖隔片 Vertical separator : 80.01VS/80.02VS/80.03VS/80.04VS

横隔片 Shelf : 60.SL50/60.SL75/60.SL100

梳状板 Comb Plate : SZB60-100M/SZB60-125M/SZB60-150M/SZB60-175M

80系列拖链附件参数 80 Series Cable Chain Accessories Parameters



80系列附件:80 Series Accessories

竖隔片 Separator

• 功能:

竖隔片是安装在拖链内部,以拖链上下盖板为固定位置,主要作用是分隔开左右两侧的电缆。

Function: Vertical separators are installed inside the cable chain to separate cables.

• 使用说明:

请参考26系列拖链附件竖隔片参数。(注:当选配横隔片时80.01VS不能使用,横隔片不能从80.01VS中穿过)

Instructions: Please refer to the parameters of the separators of the 26 series separators.

(Note: 80.01VS cannot be used when the shelf is selected. The shelf cannot pass through 80.01VS)



80.01VS

80.02VS

80.03VS

80.04VS

横隔片 Shelf (80系列横隔片)

• 功能:

横隔片是安装在竖隔片上,主要作用是分隔开上下方向的电缆。

Function: The shelf is installed on the separator, to separate cables.

• 使用说明:

请参考26系列拖链附件横隔片参数,横隔片应与80.02VS、80.03VS、80.04VS竖隔片配合使用。

Instructions: Please refer to the parameters of the 26 series shelves. The shelves should be used in conjunction with the 80.02VS, 80.03VS, and 80.04VS separators.



60.SL50

60.SL75

60.SL100

梳状板 Comb Plate

• 功能:

梳状板主要是安装在非封闭拖链盖板上,电缆可通过扎带很方便的固定在梳齿上,起固定电缆、去除应力的作用。

Function: The comb plate is mainly installed on the cover plate of the non-closed cable chain, and the cable can be easily fixed on the teeth with a cable tie to fix the cable and remove the stress.



SZB60-100M

SZB60-125M

SZB60-150M

SZB60-175M

说明:

80系列在水平向上,由于其高度的原因,目前只能最多三层

80系列在竖直方向上,根据盖板的长度及客户的需求不同,隔开的部分而不同,但由于横隔片的长度的限制,目前隔开部分的宽度可以为50mm、75mm、100mm。

80系列拖链可以同时水平及竖直方向隔开,已达到客户的需求,具体隔开尺寸可以参考水平方向及竖直方向。

Note:

1. The 80 series chains can only be divided into three layers due to its height in its horizontal direction.

2. Different separation figuration can be done as per customer's request. But due to the length of the cover, now we only have 50mm、75mm and 100mm width separators.

3. Customer can use both separator and shelf to arrange the vertical and horizontal separation

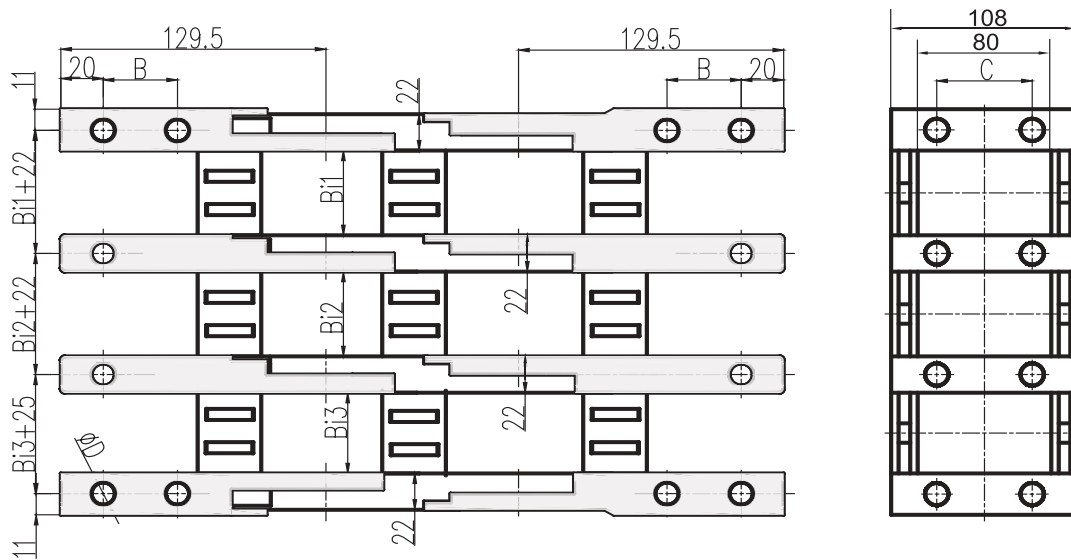
80拓展拖链 80 Extension Cable Chain



拓展拖链: 用于需要极宽拖链的应用场合, 最宽可达2.5米。

Extension cable chain: for applications requiring extremely wide cable chains up to 2.5m

- 用于因为负载极大而需要极宽拖链 (可达2500毫米) 的应用
For applications requiring extremely wide cable chains (up to 2500mm) due to extreme loads
- 拓展拖链设计使拖链可以几乎无限制地并排连接起来
The extension cable chain design allows virtually limitless side-by-side connection of chains
- 需要高负载时, 可以增加拖链的架空长度
The unsupported length of a chain can be increased when additional loads are required.
- 适于架空及滑行应用 (在导向槽中)
They are suitable for unsupported and gliding applications (in guide slots)



拖链型号 Model	内宽一 Inner width Bi1	内宽二 Inner width Bi2	内宽三 Inner width Bi3	B(mm)	C(mm)	D(mm)	对应接头型号 Fixing connector
80.Bi1/Bi2/Bi3/...R	自选 optional	自选 optional	自选 optional	35	66	11	80.Bi1/Bi2/Bi3/...12PZ

内宽可提供
Optional inner width 100、125、150、175、200、250、300、350、400

弯曲半径R可提供
Optional bending radius 125、150、200、250、300、350、400、500

Optional bending radius

订货举例 Guide To Purchase

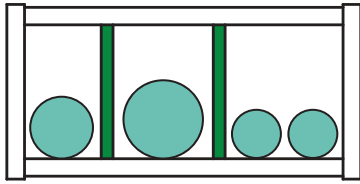
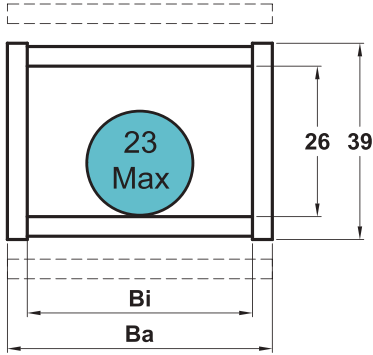
当选择内宽为100mm和175mm, 弯曲半径为125mm的80系列拖链进行拓展连接时, 拖链的型号为80. 100/175. 125, 对应接头型号为80. 100/175. 12PZ. 该拖链外高为108mm, 外宽为22+100+22+175+22=341mm

When selecting 80 series cable chain with 100 mm and 175 mm inner widths and 100 mm bending radius for extension connections, the model number is 80. 100/175. 125, the corresponding connector is 80. 100/175. 12PZ. The outer height of the cable chain is 108mm, and the outer width of the chain is 22+100+22+175+22=341mm.

26C全封闭系列 - 内侧可打开 26C Fully-closed Series-Openable from Inner Side

主要技术参数

Main Technical Parameters



分隔片
Separator

内高 Inner Height(mm) :	26
最大允许电缆外径(mm) :	23
Max Cable Diameter	
节距 T Pitch(mm) :	46(每米22节)(22 segments/m)
最大水平悬空长度(m) :	2.1
Unsupported Straight Length	
最大允许行程	100
Max Travel Distance(m):	
最大允许垂直悬挂	40
Max Vertical Hanging(m):	
可选弯曲半径R(mm):	60、75、100、125、150、200、250
Optional Bending Radius	

应用场合 Application:

可应用于负载较重, 中长距离, 需封闭的, 高速运动, 环境恶劣等场合

It can be used for heavy loads, long distances, enclosed, high-speed movements, harsh environments, etc.

拖链型号 Type	内宽 Inner width Bi(mm)	外宽 Outer width Ba(mm)	对应固定接头型号 Fixing connector	A (mm)	B (mm)	C (mm)	Φ D (mm)
26C.40.R	40	58	26C.40.12PZ	52	14	15	4.5
26C.50.R	50	68	26C.50.12PZ	62	14	15	4.5
26C.75.R	75	93	26C.75.12PZ	87	14	15	4.5
26C.100.R	100	118	26C.100.12PZ	112	14	15	4.5
26C.125.R	125	143	26C.125.12PZ	137	14	15	4.5
26C.150.R	150	168	26C.150.12PZ	162	14	15	4.5

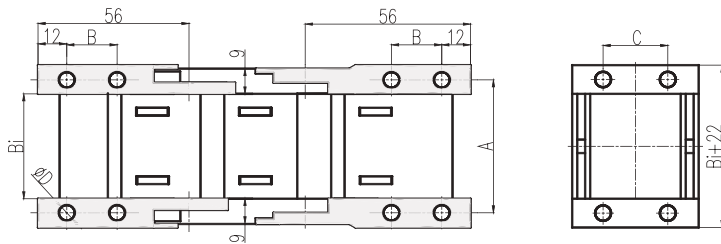
实际安装高度: $H_f = H + 30\text{mm}$ (1.5kg/m 负载)

Required clearance height: $H_f = H + 30\text{mm}$ (1.5kg/m load)

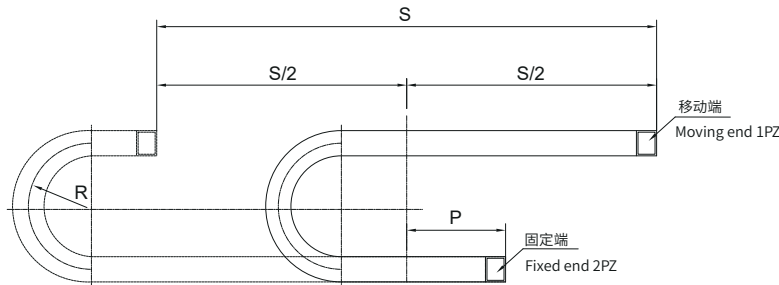
** : 订购时, 必须从可选弯曲半径R中选择合适的、确切的数值

Select a suitable and exact value R when ordering.

安装示意图 Installation Diagram



拖链示意图
Cable chain diagram



拖链长度 $L = S/2 + \pi R + K$ (安装余量)

Length of chains: $L = S/2 + \pi R + K$ (Surcharge)

$K = P + (2 \sim 3)T$

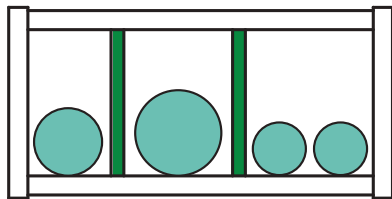
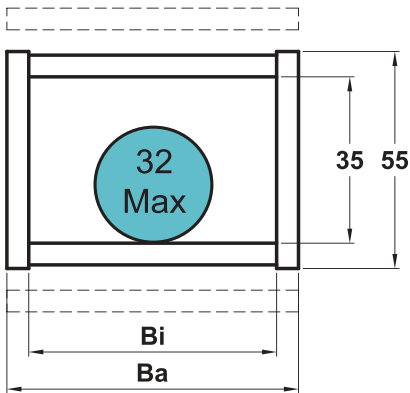


可选附件 Accessories:

隔片 Separator: 26C.01VS

35C全封闭系列 - 双面可打开 35C Fully-closed Series-Openable from Both Sides

主要技术参数 Main Technical Parameters



分隔片
Separator

内高 Inner Height(mm) :	35
最大允许电缆外径(mm) : Max Cable Diameter	32
节距 T Pitch(mm) :	56(每米18节)(18 segments/m)
最大水平悬空长度(m) : Unsupported Straight Length	3
最大允许行程 Max Travel Distance(m):	140
最大允许垂直悬挂 Max Vertical Hanging(m):	50
可选弯曲半径R(mm): Optional Bending Radius	100、125、150、200、250、300

应用场合 Application:

可应用于负载较重, 长距离, 需封闭的, 高速运动, 环境恶劣等场合

It can be used for heavy loads, long distances, enclosed, high-speed movements, harsh environments, etc.

拖链型号 Type	内宽 Inner width Bi(mm)	外宽 Outer width Ba(mm)	对应固定接头型号 Fixing connector	A (mm)	B (mm)	C (mm)	ΦD (mm)
35C.50.R	50	74	35C.50.12PZ	65	22.5	22	5.5
35C.75.R	75	99	35C.75.12PZ	90	22.5	22	5.5
35C.100.R	100	124	35C.100.12PZ	115	22.5	22	5.5
35C.125.R	125	149	35C.125.12PZ	140	22.5	22	5.5
35C.150.R	150	174	35C.150.12PZ	165	22.5	22	5.5
35C.175.R	175	199	35C.175.12PZ	190	22.5	22	5.5
35C.200.R	200	224	35C.200.12PZ	215	22.5	22	5.5
35C.250.R	250	274	35C.250.12PZ	265	22.5	22	5.5

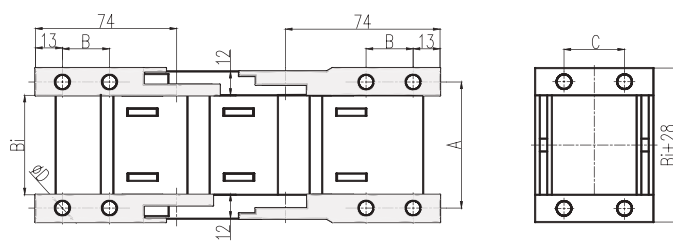
实际安装高度: $H_f = H + 40\text{mm}$ (2.0kg/m 负载)

Required clearance height: $H_f = H + 40\text{mm}$ (2.0kg/m load)

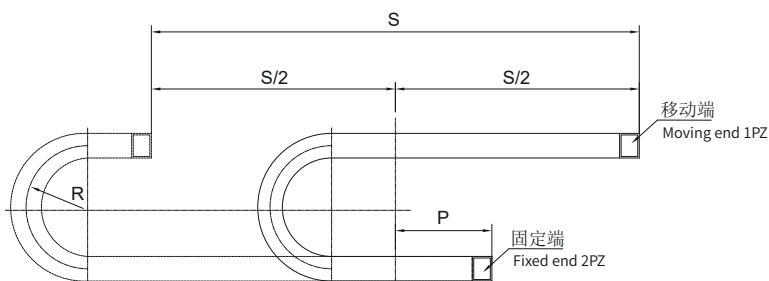
** : 订购时, 必须从可选弯曲半径R中选择合适的、确切的数值

Select a suitable and exact value R when ordering.

安装示意图 Installation Diagram



拖链示意图
Cable chain diagram



拖链长度 $L = S/2 + \pi R + K$ (安装余量)

Length of chains: $L = S/2 + \pi R + K$ (Surcharge)

$K = P + (2 \sim 3)T$



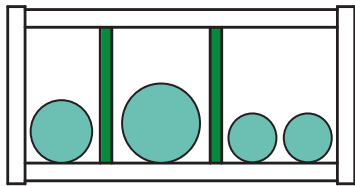
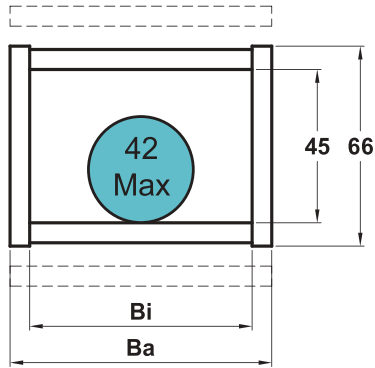
可选附件 Accessories:

隔片 Separator: 35.01VS

45C全封闭系列-双面可打开 45C Fully-closed Series-Openable from Both Sides

主要技术参数

Main Technical Parameters



分隔壁
Separator

内高 Inner Height(mm) :	45
最大允许电缆外径(mm) :	42
Max Cable Diameter	
节距 T Pitch(mm) :	67(每米15节)(15 segments/m)
最大水平悬空长度(m) :	4
Unsupported Straight Length	
最大允许行程	200
Max Travel Distance(m):	
最大允许垂直悬挂	70
Max Vertical Hanging(m):	
可选弯曲半径R(mm):	100、125、150、200、250、300
Optional Bending Radius	

应用场合 Application:

可应用于负载较重, 长距离, 需封闭的, 高速运动, 环境恶劣等场合

It can be used for heavy loads, long distances, enclosed, high-speed movements, harsh environments, etc.

拖链型号 Type	内宽 Inner width Bi(mm)	外宽 Outer width Ba(mm)	对应固定接头型号 Fixing connector	A (mm)	B (mm)	C (mm)	ΦD (mm)
45C.50.R	50	78	45C.50.12PZ	67	22.5	22	6.5
45C.75.R	75	103	45C.75.12PZ	92	22.5	22	6.5
45C.100.R	100	128	45C.100.12PZ	117	22.5	22	6.5
45C.125.R	125	153	45C.125.12PZ	142	22.5	22	6.5
45C.150.R	150	178	45C.150.12PZ	167	22.5	22	6.5
45C.175.R	175	203	45C.175.12PZ	192	22.5	22	6.5
45C.200.R	200	228	45C.200.12PZ	217	22.5	22	6.5
45C.250.R	250	278	45C.250.12PZ	267	22.5	22	6.5

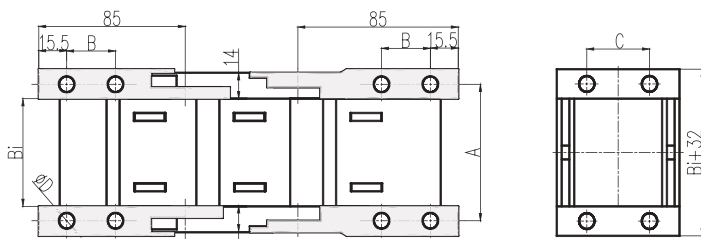
实际安装高度: $H_f = H + 40\text{mm}$ (3.0kg/m 负载)

Required clearance height: $H_f = H + 40\text{mm}$ (3.0kg/m load)

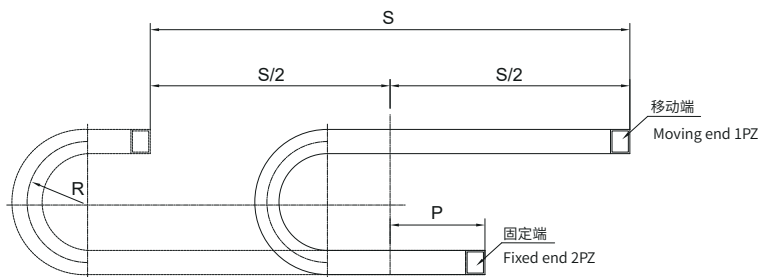
** : 订购时, 必须从可选弯曲半径R中选择合适的、确切的数值

Select a suitable and exact value R when ordering.

安装示意图 Installation Diagram



拖链示意图
Cable chain diagram



拖链长度 $L = S/2 + \pi R + K$ (安装余量)

Length of chains: $L = S/2 + \pi R + K$ (Surcharge)

$K = P + (2 \sim 3)T$



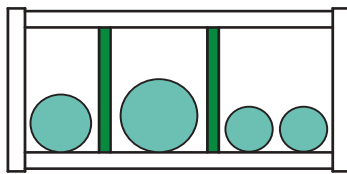
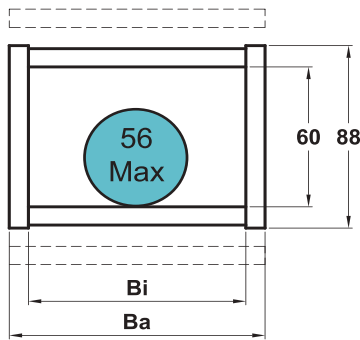
可选附件 Accessories:

隔片 Separator: 45.01VS

60C系列-双面可打开 60C Fully-closed Series-Openable from Both Sides

主要技术参数

Main Technical Parameters



分隔片
Separator

内高 Inner Height(mm) :	60
最大允许电缆外径(mm) :	56
Max Cable Diameter	
节距 T Pitch(mm) :	91(每米11节)(11 segments/m)
最大水平悬空长度(m) :	4.8
Unsupported Straight Length	
最大允许行程	280
Max Travel Distance(m):	
最大允许垂直悬挂	70
Max Vertical Hanging(m):	
可选弯曲半径R(mm):	150、200、250、300、350、400
Optional Bending Radius	

应用场合 Application:

可应用于负载较重, 长距离, 需封闭的, 高速运动, 环境恶劣等场合

It can be used for heavy loads, long distances, enclosed, high-speed movements, harsh environments, etc.

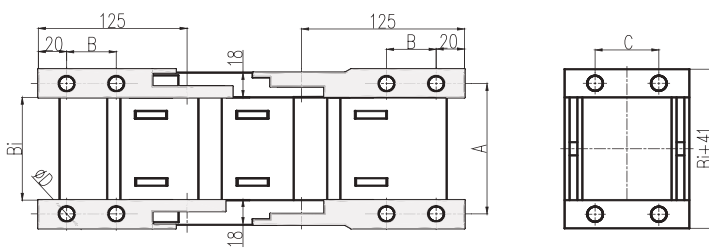
拖链型号 Type	内宽 Inner width Bi(mm)	外宽 Outer width Ba(mm)	对应固定接头型号 Fixing connector	A (mm)	B (mm)	C (mm)	ΦD (mm)
60C.75.R	75	111	60C.75.12PZ	95	35	45	9
60C.100.R	100	136	60C.100.12PZ	120	35	45	9
60C.125.R	125	161	60C.125.12PZ	145	35	45	9
60C.150.R	150	186	60C.150.12PZ	170	35	45	9
60C.175.R	175	211	60C.175.12PZ	195	35	45	9
60C.200.R	200	236	60C.200.12PZ	220	35	45	9
60C.250.R	250	286	60C.250.12PZ	270	35	45	9
60C.300.R	300	336	60C.300.12PZ	320	35	45	9

实际安装高度: $H_f = H + 50\text{mm}$ (3.0kg/m 负载)

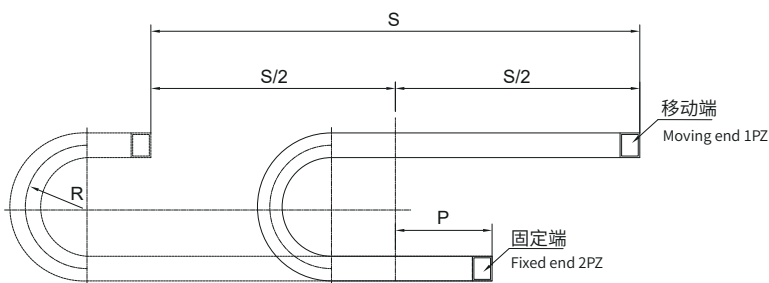
Required clearance height: $H_f = H + 50\text{mm}$ (3.0kg/m load)

** : 订购时, 必须从可选弯曲半径R中选择合适的、确切的数值
Select a suitable and exact value R when ordering.

安装示意图 Installation Diagram



拖链示意图
Cable chain diagram



拖链长度 $L = S/2 + \pi R + K$ (安装余量)

Length of chains: $L = S/2 + \pi R + K$ (Surcharge)

$K = P + (2 \sim 3)T$



可选附件 Accessories:

隔片 Separator: 60.01VS

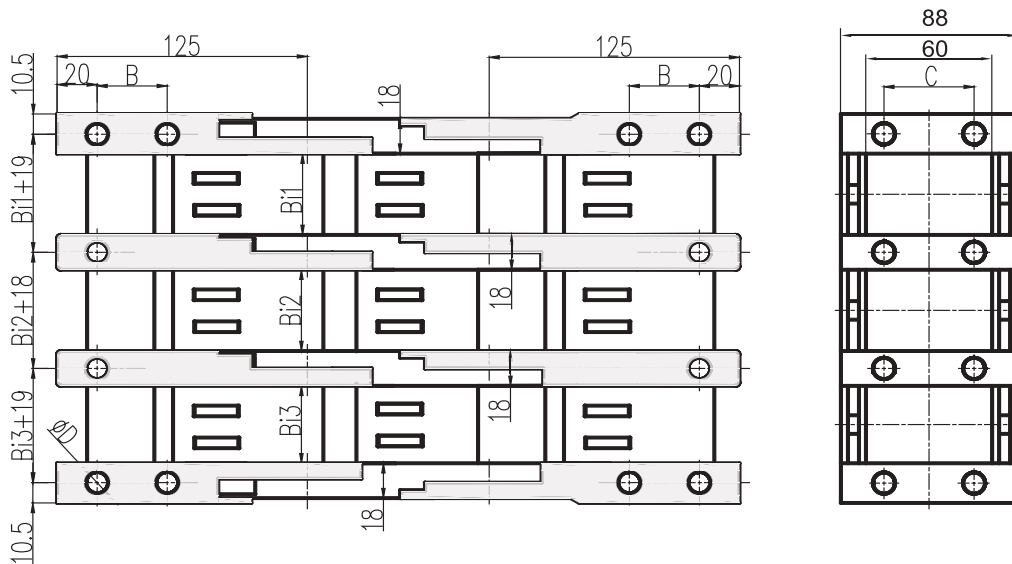
60C拓展拖链 60C Extension Cable Chain



拓展拖链:用于需要极宽拖链的应用场合,最宽可达2.5米。

Extension cable chain: for applications requiring extremely wide cable chains up to 2.5m.

- 用于因为负载极大而需要极宽拖链(可达2500毫米)的应用
For applications requiring extremely wide cable chains (up to 2500mm) due to extreme loads
- 拓展拖链设计使拖链可以几乎无限地并排连接起来
The extension cable chain design allows virtually limitless side-by-side connection of chains
- 需要高负载时,可以增加拖链的架空长度
The unsupported length of a chain can be increased when additional loads are required.
- 适于架空及滑行应用(在导向槽中)
They are suitable for unsupported and gliding applications (in guide slots)



拖链型号 Model	内宽一 Inner width Bi1	内宽二 Inner width Bi2	内宽三 Inner width Bi3	B(mm)	C(mm)	D(mm)	对应接头型号 Fixing connector
60C.Bi1/Bi2/Bi3/...R	自选 optional	自选 optional	自选 optional	35	45	9	60C.Bi1/Bi2/Bi3/...12PZ

内宽可提供
Optional inner width 75、100、125、150、175、200、250、300

弯曲半径R可提供
Optional bending radius 150、200、250、300、350、400、500

订货举例 Guide To Purchase

当选择内宽为100mm和175mm, 弯曲半径为200mm的60C系列拖链进行拓展连接时, 拖链的型号为60C. 100/175. 200, 对应接头型号为60C. 100/175. 12PZ. 该拖链外高为88mm, 外宽为18+100+18+175+18=329mm

When selecting 60C series cable chain with 100 mm and 175 mm inner widths and 200 mm bending radius for extension connections, the type number is 60C. 100/175. 200, the corresponding connector is 60C. 100/175. 12PZ. The outer height of the cable chain is 88mm, and the outer width of the chain is 18+100+18+175+18=329mm.

26系列及以上规格拖链的安装和拆卸方式： Installation and Disassembly of 26 Series or Larger

四面均可打开，可从上面或者下面直接将电缆、气管、油管等放置进拖链内部。

All four sides can be opened so that cables, gas pipes, oil pipes can be placed inside the chains directly from above or below.



拆卸第1步：

打开盖板，用平头螺丝刀以45°插入盖板间隙处，往上用力撬开盖板一侧，然后用同样方法撬开盖板另一侧。打开上面盖板后再打开下面盖板；

Disassembly step 1:
Open the cover plates (open the upper cover plate and the lower cover plate) Insert a flathead screwdriver into the gap above the left side of the cover plate at a 45° incline and pry upward to open the left side of the cover plate. Pry open the right side of the cover in the same way;



安装第1步：拖链安装

将拖链链节位置对准，用力将轴销推入孔中即可；

Installation step 1: Cable chain installation
Align the position of the cable chain link and push the shaft pin into the hole with force;



拆卸第2步：

拖链拆分，在拖链链节之间用平头螺丝刀往外撬，使销与孔分离；

Disassembly step 2:
Disassemble the cable chains: use a flathead screwdriver to pry out between the chain links to separate the pin from the hole;



安装第2步：

安装盖板，将横杆倾斜安装在拖链两侧的卡钩上，然后用橡胶锤敲击盖板使其旋转到位；

Installation step 2:
Install the cover plate Install the crossbar onto the hooks on both sides, then tap the cover with a rubber hammer to rotate it into place;



拆卸第3步：

拖链拆分，稍用力将拖链链节完全分离，即完成拆卸。

Disassembly step 3:
Disassemble cable chain, use a little force to completely separate the cable chain link.



安装第3步：

拖链安装到位。

Installation step 3:
Cable chain installed in place.

26C 系列及以上规格拖链的安装和拆卸方式： Installation and Disassembly of 26C Series or Larger

四面均可打开，可从上面或者下面直接将电缆、气管、油管等放置进拖链内部。

All four sides can be opened so that cables, gas pipes, oil pipes can be placed inside the chains directly from above or below.



拆卸第1步：

打开盖板，用平头螺丝刀以45°插入盖板间隙处，往上用力撬开盖板一侧，然后用同样方法撬开盖板另一侧。打开上面盖板后再打开下面盖板；

Disassembly step 1:
Open the cover plates (open the upper cover plate and the lower cover plate) Insert a flathead screwdriver into the gap above the left side of the cover plate at a 45° incline and pry upward to open the left side of the cover plate. Pry open the right side of the cover in the same way;



安装第1步：拖链安装

将拖链链节位置对准，用力将轴销推入孔中即可；

Installation step 1: Cable chain installation
Align the position of the cable chain link and push the shaft pin into the hole with force;



拆卸第2步：

拖链拆分，在拖链链节之间用平头螺丝刀往外撬，使销与孔分离；

Disassembly step 2:
Disassemble the cable chains: use a flathead screwdriver to pry out between the chain links to separate the pin from the hole;



安装第2步：

安装盖板，将横杆倾斜安装在拖链两侧的卡钩上，然后用橡胶锤敲击盖板使其旋转到位；

Installation step 2:
Install the cover plate Install the crossbar onto the hooks on both sides, then tap the cover with a rubber hammer to rotate it into place.



拆卸第3步：

拖链拆分，稍用力将拖链链节完全分离，即完成拆卸。

Disassembly step 3:
Disassemble cable chain, use a little force to completely separate the cable chain link.



安装第3步：

拖链安装到位。

Installation step 3:
Cable chain installed in place.

无尘拖链系列

Clean Room Cable Chains Series

无尘拖链的用途和特点

全封闭柔性无尘拖链，由上层和下层组成，可快速安装管线，将上下层扣合在一起可密封。

具有良好的柔韧性，特殊的结构设计，运行声音非常小，高速运动情况下也不会产生粉尘。

具有易维护的特点，扁圆形的结构增强横向稳定性。

是一种常应用于洁净室环境，并且广泛应用于电子3C、半导体、手机、锂电池、光电、医疗、自动化设备等众多领域。

Application and Characteristics

The fully-closed flexible dust-free cable chains consist of two parts, so the pipelines can be quickly installed.

Good flexibility, special structural design, no noise during running, no dust during high-speed movement.

Easy to maintain, flat circular structure enhances lateral stability.

Mostly used in clean-room environment, such as electronic 3C, semiconductor, mobile phone, lithium battery, photoelectric, medical, automation equipment and other fields.

Clean Room Cable Chains Series

无尘拖链系列



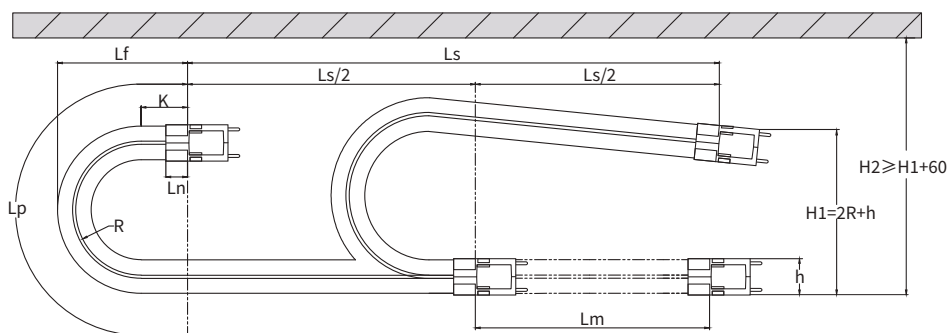
- 产品材质: +eTPU+
Product material: +eTPU+
- 运行噪音: $\approx 29\text{dB (A)}$
Running noise: $\approx 29\text{dB (A)}$
- 龙骨(可选): 轻型、中型、重型
Keel: Light, medium and heavy
- 结构组成: 自由开启
Structure composition: Open freely
- 工作使用温度: $30 \pm 5^\circ\text{C}$
Service temperature: $30 \pm 5^\circ\text{C}$
- 工作相对湿度: $45 \pm 15 (\%RH)$
Operating humidity: $45 \pm 15 (\%RH)$
- 使用寿命: ≥ 1000 万次
Service life: ≥ 10 million times
- 使用环境: 适用于无尘车间
Environment: dust-free workshop
- 最大运行速度: $\leq 5\text{m/s}$
Maximum operating speed: $\leq 5\text{m/s}$
- 最大加速度: $\leq 3g$
Maximum acceleration: $\leq 3g$
- 最大的架空长度: $\geq 2000\text{mm}$ (参考规格)
Maximum overhead length: $\geq 2000\text{mm}$ (Reference specification)

性能 Properties	测试标准 Test Standard	单位 S.I.Unit	数据 Value
比重 Specific Gravity	ASTM D792	g/cm^3	1.21 ± 0.03
邵氏硬度 Durometer Hardness	ASTM D2240	Shore A	$98A \pm 2$
拉伸强度 Tensile Strength	ASTM D412	Mpa	≥ 15
断裂伸长率 Percent Elongation at break	ASTM D412	%	≥ 300
撕裂强度 Tear Strength	ASTM D624	Mpa	11
阻燃等级 Flame retardant grade	UL94	/	HB (标准款 Standard) V0 (阻燃款 Flame Retardant)
表面电阻 Surface resistivity	ASTM D257	Ω	10^{11} (标准款 Standard) 10^9 (防静电 ESD)

无尘拖链长度计算 Clean room cable chain length calculation

无尘拖链订购长度计算公式：Clean room cable chain order length calculation formula:

- 1) 固定端在拖链行程中心情况下; 1) Fixed end in the center of travel; $L = L_s/2 + L_p$
 2) 固定端偏离拖链行程中心 L_m 情况下; 2) Fixed end deviates from the center of travel L_m ; $L = L_s/2 + L_p + L_m$



注义:

LP值数值请看规格表

L_n 为拖链的管卡进接头的部分通常为3节的长度(21mm)

弯曲干涉高度 H_2 与线缆的大小、数量、材质等因素有关。

Note:

Refer to the specification table for LP values

L_n refers to the length of the chain in the fixed end, usually 3 pitches (21mm)

H_2 refers to bending interference height, is related to the size, quantity and material of cable

订购型号表达方式 Model Number Description

	22WZ.	040.	2SR70W	L500	ES	PD	FT
内高22 Inner Height 22							
内宽40 Inner Width 40							
S: 标准款 L: 中型龙骨	S: Standard L: Medium keel	M: 轻型龙骨 G: 重型龙骨	M: Light keel G: Heavy keel				
弯曲半径R70 Bending radius R70	W: 白色 W: white	B: 黑色 B: black					
拖链长度500 Length of chain 500							
空: 默认普通款 Null: Standard	ES: 防静电 ES: ESD	V0: 阻燃 V0: Flame Retardant					
空: 无配件 Null: No accessories	SD: 配隔片 SD: with separators	PD: 配分线器 PD: with splitters	配件数量12组/米 Quantity of parts 12 sets/meter				
FT: 带梳状板的接头 FT: Connector with comb plate							

需订购拉锁WZ.L.001;

Zipper lock WZ.L.001 is necessary for other Series.

1. 无尘拖链型号只有1种表示方法: 长度。
2. 按照以上格式可形成一条完整拖链的型号描述。需包含内高、内宽、弯曲半径、长度、接头、附件等参数, 参数需按照我司样册上内容进行选择。
3. 无尘拖链长度无法像普通拖链通过增减节数来调整, 因此参数需与我司技术人员确认。
4. 其他特殊分隔方式或者有特殊要求, 请联系技术人员进行确认。

1. There is only one way to express the Clean Room Cable Chains model: length.
2. Following the above format, a complete model description of a cable chain can be formed. It should include parameters such as inner height, inner width, bending radius, length, connectors, accessories, etc., and the parameters must be selected according to the content in the catalog.
3. The length of Clean Room Cable Chains cannot be adjusted by increasing or decreasing the number of segments like the ordinary cable chains, so the parameters need to be confirmed with our technical staffs.
4. For any special separation methods or specific requirements, please contact the technical staffs for confirmation.

规格型号

产品系列	功能选择	颜色	通用行程 Ls (mm)	拖链内高 A (mm)	拖链内宽 B (mm)	拖链外高 C (mm)	拖链外宽 D (mm)	最小弯曲 半径R (mm)	推荐弯曲 半径R (mm)	预留长度 K (mm)	弯曲长度 Lp (mm)	安装高度 H1 (mm)	弯曲干涉高 度H2 (mm)	应用场合 (最多管线)
15WZ.025	S:标准款	白色	≤1000	15	25	24	40	50	70	42	304	130~150	150~200	4xφ4~φ6
	ES:防静电	白色												
	V0:阻燃	黑色	≤1600					50/70	50/70			130~170	150~190	4xφ4
	M:轻型龙骨	/												
22WZ.040	S:标准款	黑色/白色	≤1600	22	40	35	65	60	70	49	284	140~170	160~220	6xφ7~φ8 +4xφ4~φ5
	ES:防静电	白色												
	V0:阻燃	黑色	≤2000					50/70	50/70			140/180	160/200	2xφ6~φ7 +2xφ4~φ5
	M:轻型龙骨	/												
28WZ.065	S:标准款	黑色/白色	≤1700	28	65	41	90	60	70	49	318	150~180	180~230	6xφ8~φ10 +6xφ6~φ7
	ES:防静电	白色												
	M:轻型龙骨	/	≤2000					50/70	50/70			150/190	170/210	4xφ4~φ5
	L:中型龙骨	/												
35WZ.065	S:标准款	黑色/白色	≤1700	35	65	48	90	70	90	56	332	160~190	200~250	8xφ8~φ10 +6xφ6~φ7
	ES:防静电	白色												
40WZ.085	S:标准款	黑色/白色	≤1800	40	85	53	115	100	130	70	548	250~300	300~350	4xφ10~φ12 +10xφ8~φ9 +8xφ6~φ7
	ES:防静电	白色												
	G:重型龙骨	/	≤3500					130	130			350	380	2xφ10~φ12 +6xφ8~φ9 +4xφ6~φ7
40WZ.110	S:标准款	白色	≤1800	40	110	53.2	140	110	130	70	548	280~300	330~380	4xφ10~φ12 +12xφ8~φ9 +12xφ6~φ7
	G:重型龙骨	/	≤3500					130	130					

说明:

- LS适用行程--是指可以不受下垂影响的最大正常运动距离。
- R最小弯曲半径--是指拖链可以极限的弯曲最小值;推荐弯曲半径为我们3D图纸的表示值,接近实际运行弯曲半径。
- K预留长度--是指在最大的运动行程时,弯曲段至接头所需要的安全长度,这是避免拖链拉断的安全值。
- LP弯曲长度--是指拖链运行弯曲时所需要的长度,这是一个参考值。
- H1安装高度--我们建议尽量大的安装高度,它直接影响拖链的使用寿命!
- 行程≤400mm时,可以接近使用最小弯曲半径R值所对应的H1最小值。
- 行程>400mm,且运行速度越高时,需要尽可能使用更大的弯曲半径R值所对应的H1最大值。
- H2弯曲干涉高度--是指拖链实际运行过程中可能产生的弯曲高度,它与管线的直径/材质/数量/重量/速度等因素均有较大的影响,客户应该保证预留足够的高度去避免拖链运行干涉或者损坏。
- 允许安装管线--是一个参考值,可以同样替代相近的容积数值。
- 任何龙骨与不同功能的拖链进行相应的结合为特殊的应用。
- 颜色的说明: 1)标准款:白色/黑色。2)防静电款:白色。3)阻燃款:黑色。
- 防静电拖链表面电阻 $\leq 10^9\Omega$,拖链接头为普通款,需采用接地方案。

Models Description

Series	Function	Color	Stroke Ls (mm)	Inner height A (mm)	Inner width B (mm)	Outer height C (mm)	Outer width D (mm)	Minimum bending radius (mm)	Recommended bending radius (mm)	Reserved length K (mm)	Bending length Lp (mm)	Install height H1 (mm)	Bending interference height H2 (mm)	Application (Max pipeline)
15WZ.025	S: standard	white	≤1000	15	25	24	40	50	70	42	304	140~160	160~210	6xφ4~φ6
	ES: ESD	white												
	V0: flame retardant	black												
	M: light keel	/	≤1600					50/70	50/70			130~170	150~190	4xφ4
22WZ.040	S: standard	black/white	≤1600	22	40	35	65	60	70	49	284	140~170	160~220	6xφ7~φ8 +4xφ4~φ5
	ES: ESD	white												
	V0: flame retardant	black												
	M: light keel	/	≤2000					50/70	50/70			140/180	160/200	2xφ6~φ7 +2xφ4~φ5
28WZ.065	S: standard	black/white	≤1700	28	65	41	90	60	70	49	318	150~180	180~230	6xφ8~φ10 +6xφ6~φ7
	ES: ESD	white												
	M: light keel	/												
	L: medium keel	/	≤2600					70/100	70/100			200/260	220/280	2xφ4~φ5
35WZ.065	S: standard	black/white	≤1700	35	65	48	90	70	90	56	332	160~190	200~250	8xφ8~φ10 +6xφ6~φ7
	ES: ESD	white												
40WZ.085	S: standard	black/white	≤1800	40	85	53	115	100	130	70	548	250~300	300~350	4xφ10~φ12 +10xφ8~φ9 +8xφ6~φ7
	ES: ESD	white												
	G: heavy keel	/	≤3500											130
40WZ.110	S: standard	white	≤1800	40	110	53.2	140	110	130	70	548	280~300	330~380	4xφ10~φ12 +12xφ8~φ9 +12xφ6~φ7
	G: heavy keel	/	≤3500											

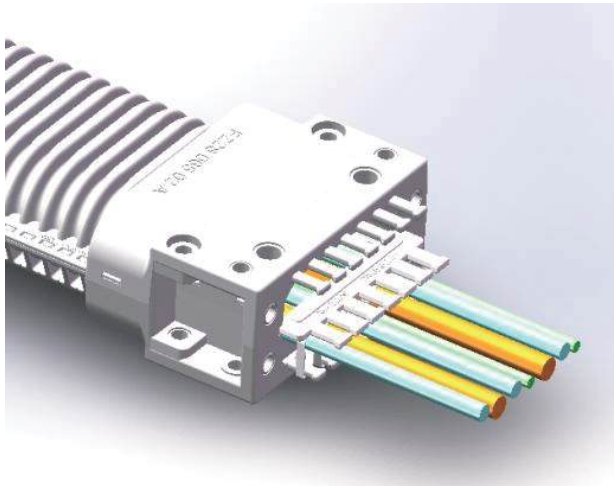
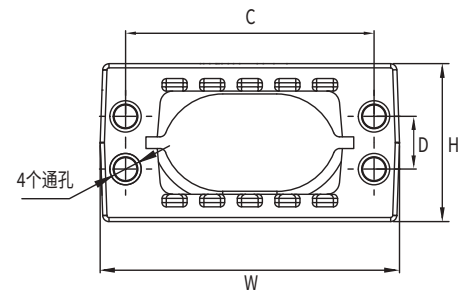
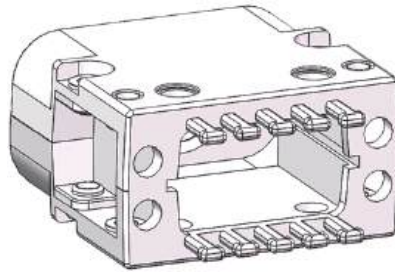
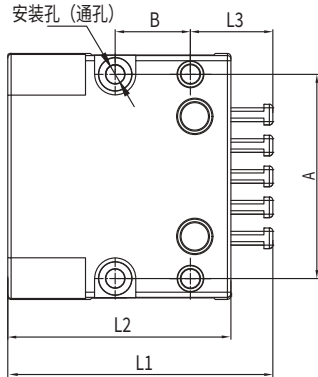
Definitions:

- Stroke Ls: maximum unsupported traveling distance.
- Minimum bending radius R: minimum value of bending that the cable chain can limit; the recommended bending radius is the value indicated in our 3D drawings, which is close to the actual running bending radius.
- Reserved length K: safety length required from the bending section to the joint at the maximum movement stroke, which is the safety value to avoid the cable chain pulling off.
- Bending length Lp: the length required when the cable chain runs bending, which is a reference value.
- Installation height H1: we recommend the max possible installation height, which directly affects the service life of the cable chain!
- Stroke ≤ 400mm, can be close to use the minimum bending radius R value corresponding to the minimum value of H1.
- Stroke > 400 mm, and at higher operating speeds, it is necessary to use the maximum value of H1 corresponding to a larger bending radius R value, if possible.
- Bending interference height H2: the bending height of the cable chain in actual operation. It is greatly influenced by the diameter/material/quantity/weight/speed of the pipeline. Ensure that enough height is reserved to avoid interference or damage to the cable chain.
- Max pipelines: a reference value that can be substituted for similar volume values.
- Any keel can be combined with different functional cable chains for special applications.
- Description of colors: 1) Standard : white/black. 2) ES type: White. 3) Flame retardant type: black.
- When ESD cable chain surface resistance ≤ 10⁹Ω, the chain connectors are common type, it should be grounded.

无尘拖链固定接头 Fixed Connector of clean room cable chains

固定接头型号 Model No.	接头外形尺寸 (mm) Connector Size				安装螺孔 (mm) Hole size (mm)					
	长L1	长L2	宽W	高H	A	B	L3	C	D	螺钉规格
FZ15.025.02	52	42	47	29	30	/	21	/	/	2XM4
FZ22.040.02	78	66	72	38	60	22	24	60	13	4XM5
FZ28.065.02	78	66	96	45	81	22	24	81	19	4XM5
FZ35.065.02	78	66	96	52	81	22	24	81	19	4XM5
FZ40.085.02	84	72	116	58	101	29	24	101	30	4XM5
FZ40.110.02	84	72	141	58	126	29	24	126	30	4XM5

Through hole
安装孔 (通孔)



重要:

梳状板在两端的固定接头处锁紧避免线缆相互的缠绕及摩擦。

一般情况下接头自带梳状板可满足多数情况。

Important:

The comb plate is locked at the fixed connector at both ends to prevent cable entanglement and friction.

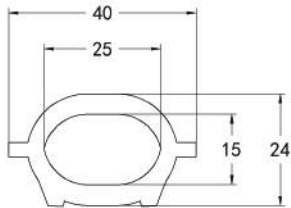
Generally the connector comes with a comb plate for most situations.

15WZ.025

拖链内部尺寸 Internal Dimensions

拖链内部容积312 mm², 管线占用不可超过 70%

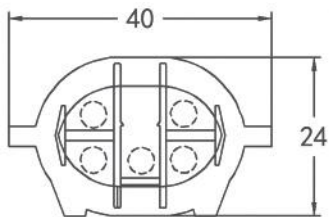
The internal volume of the cable chain is 312 mm², and the pipeline occupancy cannot exceed 70%.



(1)标准款:允许最多安装管线:4根φ4~φ6

(1)Standard Type

Max pipelines allowed:4 x φ4 ~φ6



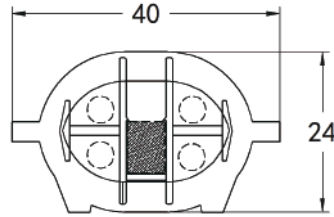
(2)带分线器:允许最多安装管线:5根φ4

★分线器建议12组/米

(2)With Integrated Splitter

Max pipelines allowed:5 x φ4

★ Splitter recommended: 12 pcs/meter



(3)带轻型龙骨 允许最多安装管线:4根φ4

★ 如需要龙骨方案, 请联系我司业务部

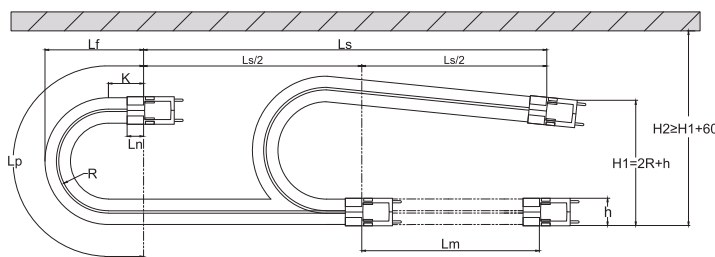
(3)With Light keel

Max pipelines allowed:4 x φ4

★ For keel solution, please contact our technical staff

拖链安装图示

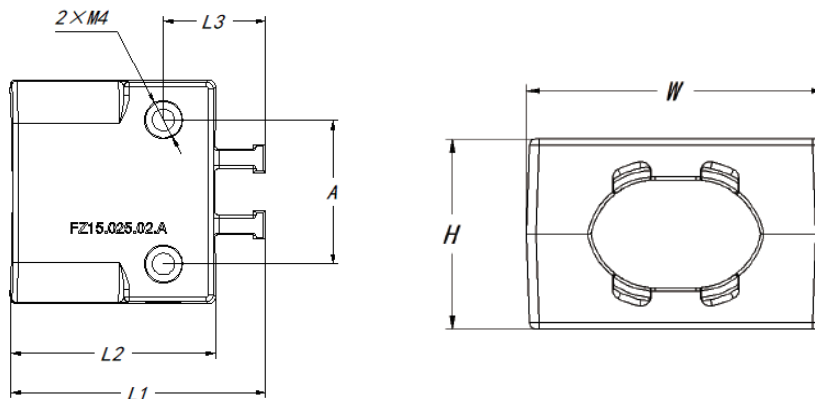
Installation Diagram



弯曲半径R Bending Radius R	接头处预留K值 Reserved length K	弯曲长度Lp Bending Length Lp	行程外长度Lf Stroke Length Lf	拖链接头外高h Outer Height of Connector h	架空长度Ls/2 Overhead Length Ls/2	适用行程Ls Applicable Stroke Ls	安装高度H1 Installation Height H1	干涉高度H2 Interference Height H2
50 (最小) Minimum	42	241	106	29	≤500	≤1000	130~150	150~200
70 (推荐) Recommended	42	304	124	29	≤500	≤1000		

固定接头图示

Connector of the chain



A	B	C	D	L1	L2	L3	W	H	螺丝规格
30	/	/	/	52	42	21	47	29	2XM4

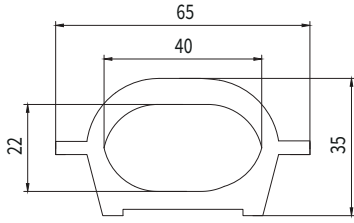
单位:mm Unit: mm

22WZ.040

拖链内部尺寸 Internal Dimensions

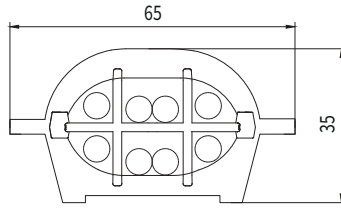
拖链内部容积710 mm², 管线占用不可超过 70%

The internal volume of the cable chain is 710 mm², and the pipeline occupancy cannot exceed 70%.



(1)标准款允许最多安装管线:
6根φ7~φ8 +4根φ4~φ6

(1)Standard Type
Max pipelines allowed:
6 x φ7~φ8 +4 x φ4~φ6

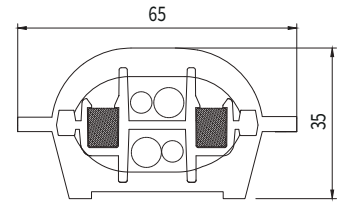


(2)带横竖隔片允许最多安装
管线:4根φ6~φ7 +4根φ4~φ5

★横竖隔片建议12组/米

(2)With Shelf and Separator
Max pipelines allowed:
4 x φ6~φ7 +4 x φ4~φ5

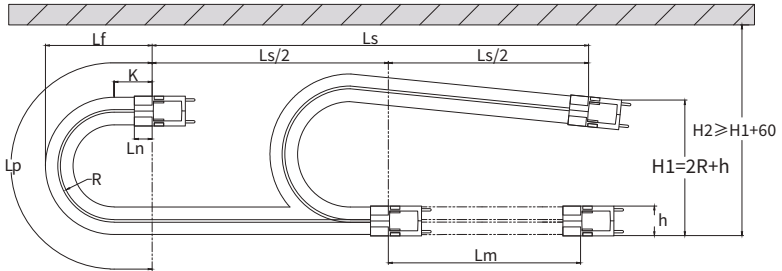
★ Shelf and Separator recommended: 12 sets/meter



(3)带轻型龙骨允许最多安装
管线:2根φ6~φ7 +2根φ4~φ5

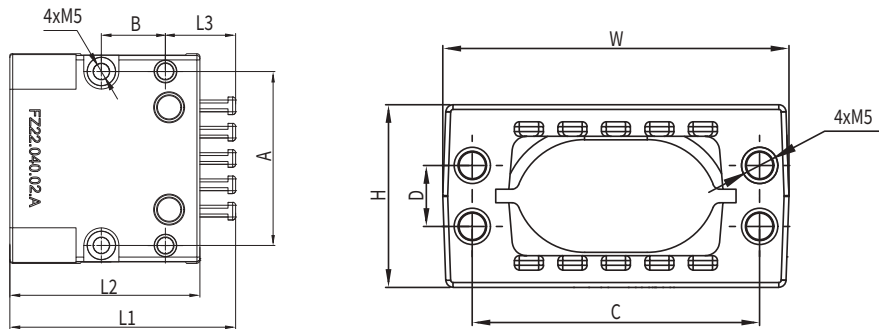
(3)With Light keel
Max pipelines allowed:
2 x φ6~φ7 +2 x φ4~φ5

拖链安装图示 Installation Diagram



弯曲半径R Bending Radius R	接头处预留K值 Reserved Length K	弯曲长度Lp Bending Length Lp	行程外长度Lf Stroke Length Lf	拖链接头外高h Outer Height of Connector h	架空长度Ls/2 Overhead Length Ls/2	适用行程Ls Applicable Stroke Ls	安装高度H1 Installation Height H1	干涉高度H2 Interference Height H2
60(最小) Minimum	49	286	128	38	≤800	≤1600	140~170	160~210
70(推荐) Recommended	49	318	138	38	≤800	≤1600		

固定接头图示 Connector of the chain



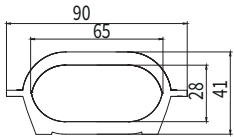
A	B	C	D	L1	L2	L3	W	H	螺丝规格
60	22	60	13	78	66	24	72	38	4XM5

单位:mm Unit:mm

28WZ.065

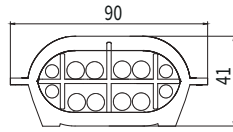
拖链内部尺寸 Internal Dimensions

拖链内部容积1515 mm²，管线占用不可超过 70%
The internal volume of the cable chain is 1515 mm², and the pipeline occupancy cannot exceed 70%.



(1)标准款
允许最多安装管线:
6根φ8~φ10+6根φ6~φ7

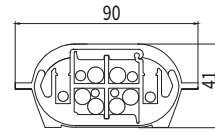
(1)Standard Type
Max pipelines allowed:
6 x φ8~φ10 + 6 x φ6~φ7



(2)带横竖隔片
允许最多安装管线:6根φ6~φ8+6根φ4~φ6
★横竖隔片建议12组/米

(2)With Shelf and Separator
Max pipelines allowed:
6 x φ6~φ8 + 6 x φ4~φ6

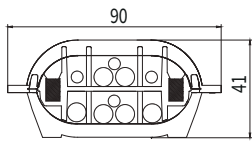
★ Shelf and Separator recommended: 12 sets/meter



(3)带一体式分线器
允许最多安装管线:6根φ6~φ8+6根φ4~φ5
★分线器建议12~18个/米

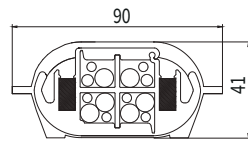
(3)With Integrated Splitter
Max pipelines allowed:
6 x φ6~φ8 + 6 x φ4~φ5

★ Splitter recommended: 12~18 pcs/meter



(4)带轻型龙骨
允许最多安装管线:
6根φ6~φ8+4根φ4~φ5

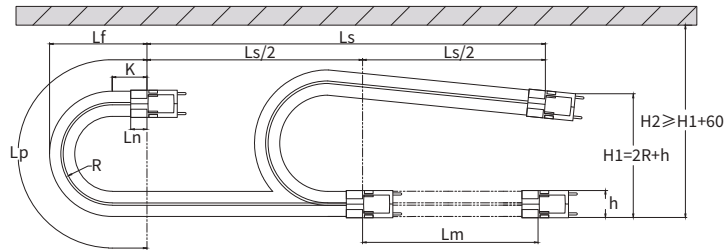
(4)With Light keel
Max pipelines allowed:
6 x φ6~φ8 + 4 x φ4~φ5



(5)带中型龙骨
允许最多安装管线:6根φ6~φ8+2根φ4~φ5

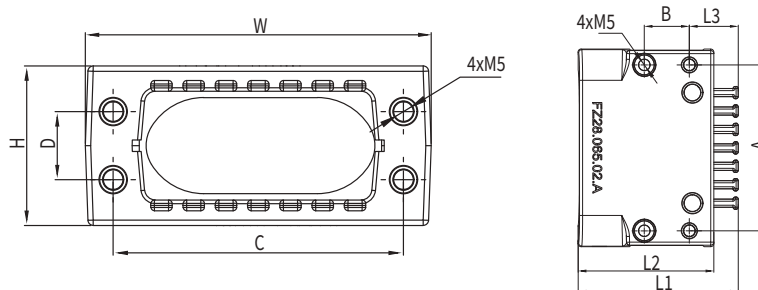
(5)With Medium keel
Max pipelines allowed:6 x φ6~φ8 + 2 x φ4~φ5

拖链安装图示 Installation Diagram



弯曲半径R Bending Radius R	接头处预留K值 Reserved Length K	弯曲长度Lp Bending Length Lp	行程外长度Lf Stroke Length Lf	拖链接头外高h Outer Height of Connector h	架空长度Ls/2 Overhead Length Ls/2	适用行程Ls Applicable Stroke Ls	安装高度H1 Installation Height H1	干涉高度H2 Interference Height H2
60(最小) Minimum	49	286	131	45	≤850	≤1700	150~180	170~220
70(推荐) Recommended	49	318	141	45	≤850	≤1700		

固定接头图示 Connector of the chain



A	B	C	D	L1	L2	L3	W	H	螺丝规格
81	22	81	19	78	66	24	96	45	4XM5

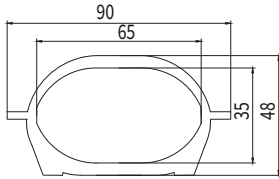
单位:mm Unit: mm

35WZ.065

拖链内部尺寸 Internal Dimensions

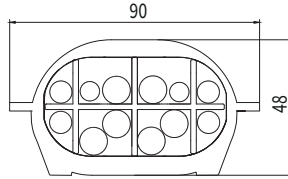
拖链内部容积2050 mm², 管线占用不可超过 70%

The internal volume of the cable chain is 2050 mm², and the pipeline occupancy cannot exceed 70%.



(1)标准款
允许最多安装管线:
8根φ8~φ10+6根φ6~φ7

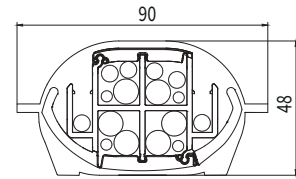
(1)Standard Type
Max pipelines allowed:
8 x φ8~φ10+6 x φ6~φ7



(2)带横竖隔片
允许最多安装管线:
6根φ8~φ10+6根φ6~φ7
★横竖隔片建议12组/米

(2)With Shelf and Separator
Max pipelines allowed:
6 x φ8~φ10+6 x φ6~φ7

★ Shelf and Separator recommended: 12 sets/meter

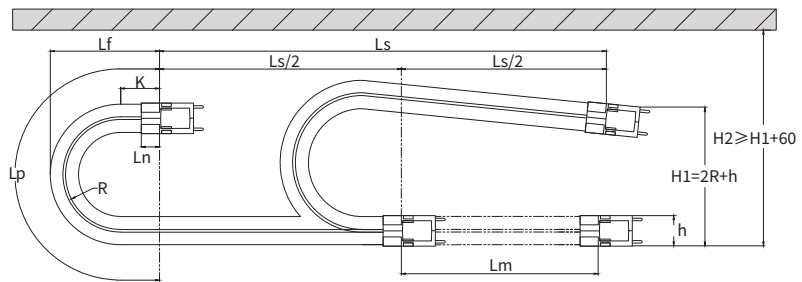


(3)带一体式分线器
允许最多安装管线:
6根φ8~φ9+10根φ4~φ6
★分线器建议12~18个/米

(3)With Integrated Splitter
Max pipelines allowed:
6 x φ8~φ9+10 x φ4~φ6

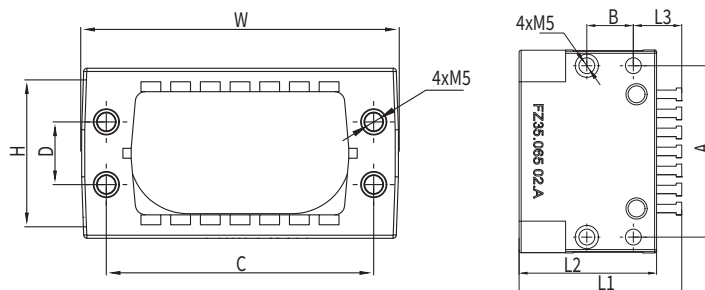
★ Splitter recommended: 12~18 pcs/meter

拖链安装图示 Installation Diagram



弯曲半径R Bending Radius R	接头处预留K值 Reserved Length K	弯曲长度Lp Bending Length Lp	行程外长度Lf Stroke Length Lf	拖链接头外高h Outer Height of Connector h	架空长度Ls/2 Overhead Length Ls/2	适用行程Ls Applicable Stroke Ls	安装高度H1 Installation Height H1	干涉高度H2 Interference Height H2
70(最小) Minimum	56	332	152	52	≤850	≤1700	155~190	200~250
90(推荐) Recommended	56	394	172	52	≤850	≤1700		

固定接头图示 Connector of the chain



A	B	C	D	L1	L2	L3	W	H	螺丝规格
81	22	81	19	78	66	24	96	52	4XM5

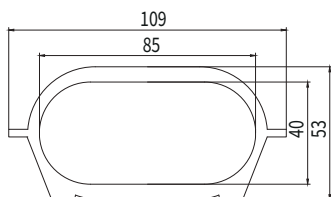
单位:mm Unit:mm

40WZ.085

拖链内部尺寸 Internal Dimensions

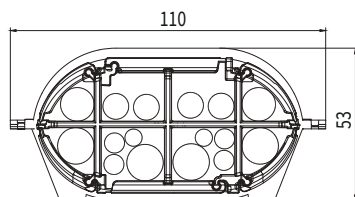
拖链内部容积3056 mm², 管线占用不可超过 70%

The internal volume of the cable chain is 3056 mm², and the pipeline occupancy cannot exceed 70%.



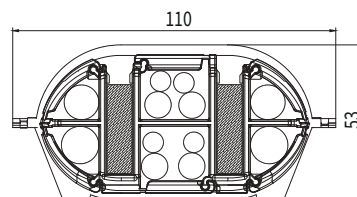
(1)标准款
允许最多安装管线:
4根φ10~φ12+10根φ8~φ9
+8根φ6~φ7

(1)Standard Type
Max pipelines allowed:
4 x φ10~φ12+10 x φ8~φ9
+8 x φ6~φ7



(2)带一体式分线器
允许最多安装管线:
4根φ10~φ12+6根φ8~φ9+6根φ6~φ7
★分线器建议12~18个/米

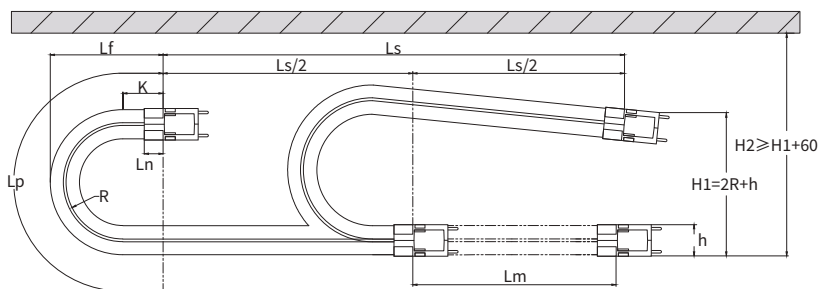
(2)With Integrated Splitter
Max pipelines allowed:
4 x φ10~φ12+6 x φ8~φ9
+6 x φ6~φ7
★ Splitter recommended: 12~18 pcs/meter



(3)带重型龙骨
允许最多安装管线:
2根φ10~φ12+6根φ8~φ9+4根φ6~φ7
★龙骨分线器建议12~18个/米

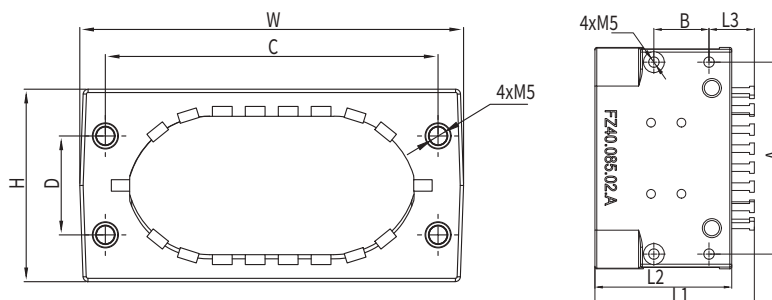
(3)With Heavy keel
Max pipelines allowed:
2 x φ10~φ12+6 x φ8~φ9
+4 x φ6~φ7
★ Keel splitter recommended: 12~18 pcs/meter

拖链安装图示 Installation Diagram



弯曲半径R Bending Radius R	接头处预留K值 Reserved Length K	弯曲长度Lp Bending Length Lp	行程外长度Lf Stroke Length Lf	拖链接头外高h Outer Height of Connector h	架空长度Ls/2 Overhead Length Ls/2	适用行程Ls Applicable Stroke Ls	安装高度H1 Installation Height H1	干涉高度H2 Interference Height H2
100 (最小) Minimum	63	440	192	59	≤900	≤1800	250~300	300~350
130 (推荐) Recommended	63	534	122	59	≤900	≤1800		

固定接头图示 Connector of the chain



A	B	C	D	L1	L2	L3	W	H	螺丝规格
101	29	101	30	84	72	24	116	58	4XM5

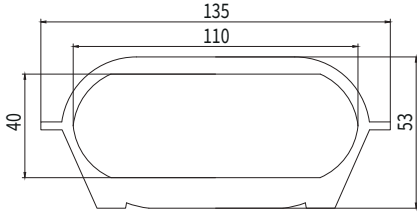
单位:mm Unit: mm

40WZ.110

拖链内部尺寸 Internal Dimensions

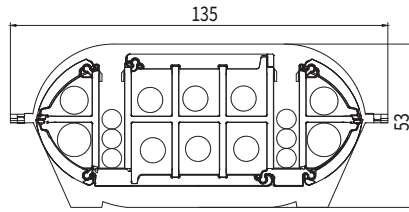
拖链内部容积4000mm²，管线占用不可超过 70%

The internal volume of the cable chain is 4000 mm², and the pipeline occupancy cannot exceed 70%.



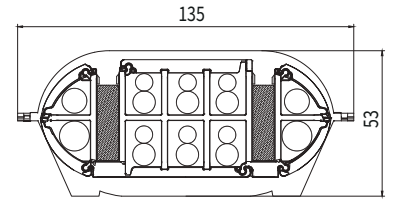
(1)标准款
允许最多安装管线：
4根φ10~φ12+12根φ8~φ9
+12根φ6~φ7

(1)Standard Type
Max pipelines allowed:
4 x φ10~φ12+12 x φ8~φ9
+12 x φ6~φ7



(2)带一体分线器
允许最多安装管线：
2根φ10~φ12+8根φ8~φ9+6根φ6~φ7
★分线器建议12~18个/米

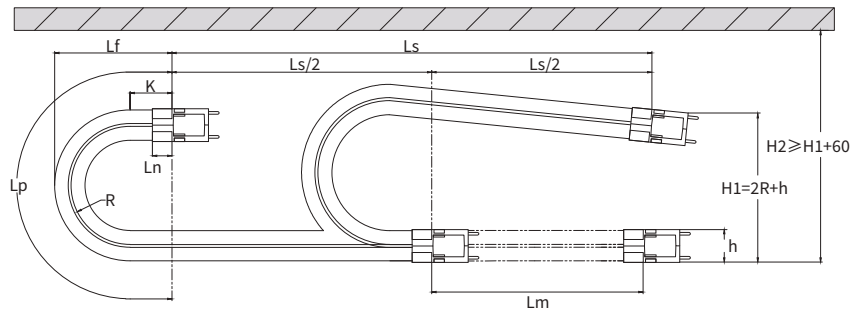
(2)With Integrated Splitter
Max pipelines allowed:
2 x φ10~φ12+8 x φ8~φ9+6 x φ6~φ7
★ Splitter recommended: 12~18 pcs/meter



(3)带重型龙骨
允许最多安装管线：
2根φ10~φ12+8根φ8~φ9+4根φ6~φ7
★如需要龙骨方案，请联系我们技术部

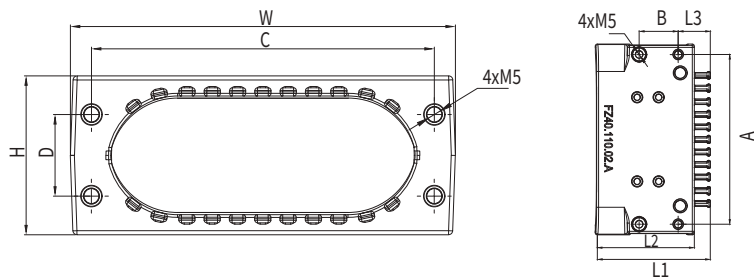
(3)With Heavy keel
Max pipelines allowed:
2 x φ10~φ12+8 x φ8~φ9+4 x φ6~φ7
★ For keel solution, please contact our technical staff

拖链安装图示 Installation Diagram



弯曲半径R Bending Radius R	接头处预留K值 Reserved Length K	弯曲长度Lp Bending Length Lp	行程外长度Lf Stroke Length Lf	拖链接头外高h Outer Height of Connector h	架空长度Ls/2 Overhead Length Ls/2	适用行程Ls Applicable Stroke Ls	安装高度H1 Installation Height H1	干涉高度H2 Interference Height H2
100(最小) Minimum	70	454	199	59	≤900	≤1800	280~300	330~380
130(推荐) Recommended	70	548	229	59	≤900	≤1800		

固定接头图示 Connector of the chain



A	B	C	D	L1	L2	L3	W	H	螺丝规格
126	29	126	30	84	72	24	141	58	4XM5

单位:mm Unit: mm

龙骨系统 Keel System

无尘拖链为柔性，弯曲高度会随电缆/气管的直径及数量的不同而有所变化，有时需要通过龙骨进行弯曲半径的限定。

无尘拖链为柔性，它们的架空长度为有限，如果客户需要更长的架空长度(或者运动行程超长)，则需要增加龙骨系统提供有力支撑，龙骨系统根据不同的架空长度要求进行对应选择。

Clean room cable chains are flexible, and the bending height varies with the diameter and number of cables/tubes. Sometimes it is necessary to limit the bending radius through the keel.

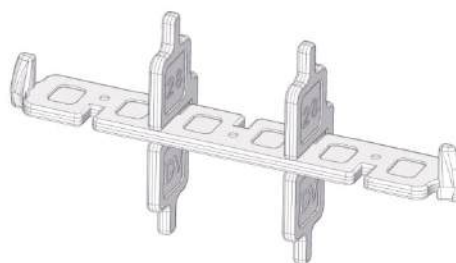
Clean room cable chains are flexible, and their overhead length is limited. If customers need a longer overhead length (or a very long motion stroke), they need to add a keel system to provide strong support. The keel system is selected according to different overhead length requirements.

名称 Name	型号 Model No.	适用拖链 Applicable Cable Chains	适用架空长度(mm) Applicable Overhead Length	龙骨接头 Keel Joints	龙骨横隔板 Keel Shelf	龙骨竖隔板 Keel Separator	一体分线器 Integrated Splitter	备注 Remark
轻型龙骨 Light keel	LG.15.025H	15WZ.025	600-1000	LG.15.F/M	/	/	PD.15.025.02	出厂前 整体组 装 Assembled
	LGS.01.R50/ LGS.01.R70	22WZ.040 28WZ.065	600-1000	LG.22.M/F LG.28.M/F	LG.22.040H LG.28.065H	DV22.040.01 DV28.065.01	/ PD.28.065.02	
	中型龙骨 Medium keel	LG.02.R70/ LG.02.R100		28WZ.065	900-1500	LG.28.02M/F	/	
重型龙骨 Heavy keel	WL040.R70/ WL040.R130	40WZ.085	1000-1750	LG.40.M/F	/	/	PD.40.085.02	
		40WZ.110		LG.40.M/F	/	/	PD.40.110.02	

横竖隔片 Shelf and Separator

无尘拖链在应用于轻负载、短行程的情况下使用，客户可以选择由单独的竖隔片和横隔片组成分隔系统，以一定的区间方式插入并连接在拖链内部。

Clean room cable chains are used in applications with light loads and short strokes. Customers can choose a separator system consisting of separate separators and shelves that are inserted and connected inside the cable chain in a certain interval manner.

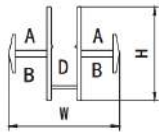


横隔片型号 Shelf Model No.	竖隔片型号 Separator Model No.	适用的拖链型号 Applicable Model No.
SP22.040.01	DV22.040.01	22WZ.040
SP28.065.01	DV28.065.01	28WZ.065
SP35.065.01	DV35.065.01	35WZ.065

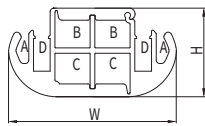
一体式分线器 Integrated Splitter

相比传统的横竖隔片方式大大节省安装时间。同时它们还可以与中型/重型龙骨结合进行内部空间分隔/支撑作用。

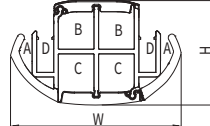
Compared with the traditional vertical separator and shelf, it greatly saves installation time. At the same time, they can also be combined with medium/heavy keels to separate/support the internal space.



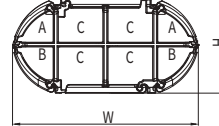
PD.15.025.02



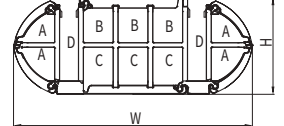
PD.28.065.02



PD.35.065.02



PD.40.085.02



PD.40.110.02

名称 Name	型号 Model No.	接头外形尺寸(mm) External Dimensions of Connector		使用范围 Application Range					
		宽W	高H	可藏线孔数 No. of holes	A(宽x高) WxH	B(宽x高) WxH	C(宽x高) WxH	D(宽x高) WxH	适用的拖管型号 Applicable Model
一体分线器 Integrated Splitter	PD.15.025.02	26	22	4	7.5x6	7.5x6	/	龙骨安放位置 Where Keel is placed	15WZ.025
	PD.28.065.02	72	37	6	5X10	14X11	14X12	龙骨安放位置 Where Keel is placed	28WZ.065
	PD.35.065.02	72	43	6	5X10	15X15	15X15	龙骨安放位置 Where Keel is placed	35WZ.065
	PD.40.085.02	92	47	8	15X13	14X16	22X16	/	40WZ.085
	PD.40.110.02	117	47	10	15X13	14X16	14X18	龙骨安放位置 Where Keel is placed	40WZ.110

无尘拖链的安装方法 Installation method of clean room cable chain



① 将无尘拖链外盖内部朝上平铺
Lay the clean room cable chain
cover flat with the inside facing
upwards



② 放置电缆
Put cables



③ 放置内盖
Place the inner cover



④ 使用拉链工具将上下盖拉紧
Use a zipper tool to tighten the
upper and lower covers tightly



⑤ 安装接头
Install connector



⑥ 电缆固定
Fix cables

★ 整体将无尘拖链放置于轨道上，两端接头用螺丝与轨道固定。

★ Place the clean room cable chain on the track, and fix the connectors at both ends to the track with screws.

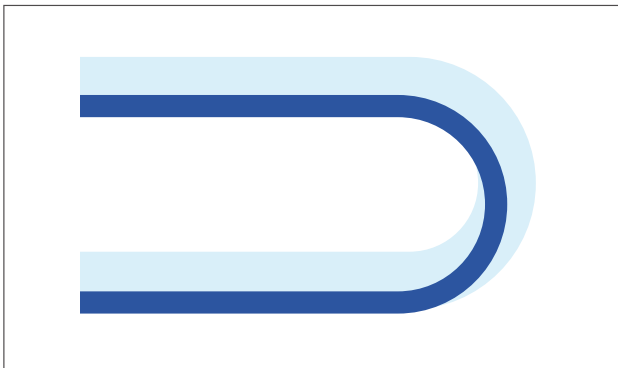
线缆摆布 Cabling

- 拖链选择适当的长度。
- 调整好线缆长度(上层与下层的长度一定需要长度差),防止或减少线缆和拖链盖板和隔片发生接触,是防止粉尘发生的关键预防措施。
- 选择适当的内部分隔系统去布局,是减少管线磨损的基础。
- 必须将管线在接头的两端进行固定。
- 对于管线较多的情况下,一般会进行分层,但我们需要预留它们在不同曲时所需要的长度,避免电缆在内部产生“S”曲折,这也是保证拖管使用寿命的因素之一。

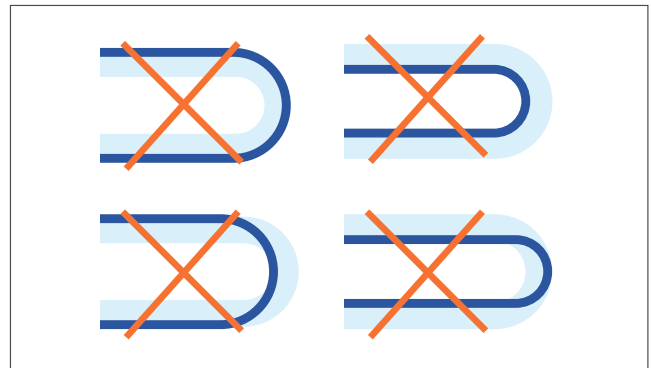


- Select an appropriate length for the cable chain.
- Adjust the length of the cable (the length of the upper layer and the lower layer must require a length difference) to prevent or minimize contact between the cable and the cable chain cover and separator is a key precautionary measure to prevent dust from occurring.
- Selection of an appropriate internal separation system is fundamental to minimizing pipeline wear.
- The cable must be fixed at both ends of the connectors.
- In case of many pipepipes, layering is generally carried out, but we need to reserve the length required for them at different bends to avoid cables zigzag inside, which is also one of the factors to ensure the service life of the cable chain.

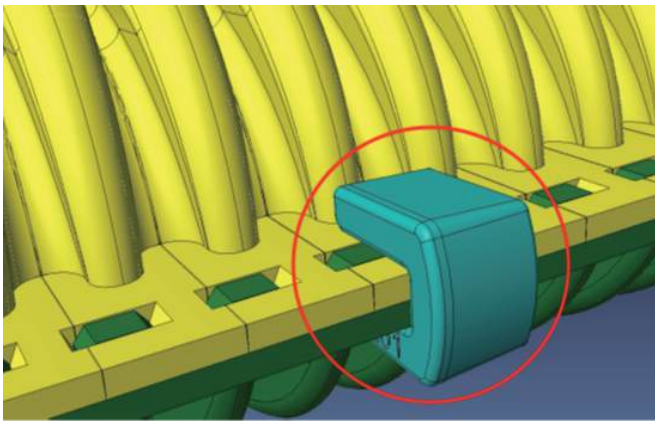
标准正常摆线的状态 Standard cable status



错误的线缆状态 Wrong cable status



辅助产品 Auxiliary products



卡扣WZ.015 Clip WZ.015

在管线数量较多,重量较大、超过70%容积率的情况下,有必要使用“卡扣”对拖管两侧进行加强防护,避免拖管开裂或者断裂。

In the case of large numbers of pipelines, heavy weights, and volume ratios of more than 70%, it is necessary to strengthen the protection of both sides of the cable chain with “clips” to avoid cracking or breaking.



拉链锁WZ.L.001 Zipper lock WZ.L.001

将上下盖板拉合的工具

Tool to pull the upper and lower cover plates together



耐磨垫

无尘拖链在通常的应用是使用到金属钣金做为支撑，如果它们的面不平整、或者有特殊要求，则我们有必要对此进行增加耐摩垫避免磨损，同时也有可能降低噪音。

Abrasion-resistant Mat

In typical applications, dust-free cable chains are supported by sheet metal. If their surfaces are uneven or have special requirements, it is necessary to add wear-resistant pads to avoid wear and reduce noise.

产品名称 Product Name	产品型号 Model No.	包装说明 Packet	配置说明 Description
拖链耐磨垫(自润型、白色) Abrasion-resistant Mat (self-lubricating, white)	WL-UPE05.40.W	20米/卷m/roll	UHMWPE材料, 0.5MM厚度; 3M背胶, 宽度40MM UHMWPE, 3M, 0.5x40mm
	WL-UPE05.50.W	20米/卷m/roll	
	WL-UPE05.75.W	20米/卷m/roll	
	WL-UPE05.100.W	20米/卷m/roll	
	WL-UPE05.125.W	20米/卷m/roll	
	WL-UPE05.150.W	20米/卷m/roll	
	WL-UPE03.40.W	20米/卷m/roll	
	WL-UPE03.50.W	20米/卷m/roll	
	WL-UPE03.75.W	20米/卷m/roll	
	WL-UPE03.100.W	20米/卷m/roll	
	WL-UPE03.125.W	20米/卷m/roll	
WL-UPE03.150.W	20米/卷m/roll		

架空应用 Overhead application

水平运行时架空说明 Overhead instructions during horizontal working

架空: 拖链在水平方向上运行, 在整个行程中拖链上段不能接触到下段。

Overhead: The cable chain runs horizontally, and the upper section of the cable chain cannot touch the lower section throughout the entire movement.

1、直线架空区域(最大向上拱起不超过1/2拖链外高)

Linear overhead area (maximum upward arching not exceeding 1/2 of the external height of the cable chain)

允许使用

Allowed to use

2、安全塌腰区域(最大扰度不超过最小弯曲半径)

Safe sagging area (maximum inference not exceeding minimum bending radius)

允许使用

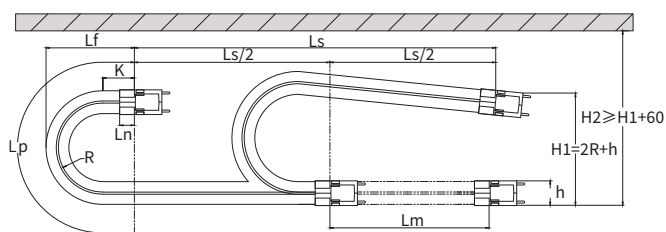
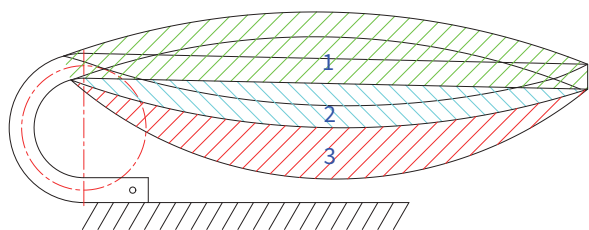
Allowed to use

3、危险塌腰区域(最大扰度超过最小弯曲半径)

Risky sagging area (maximum inference exceeding minimum bending radius)

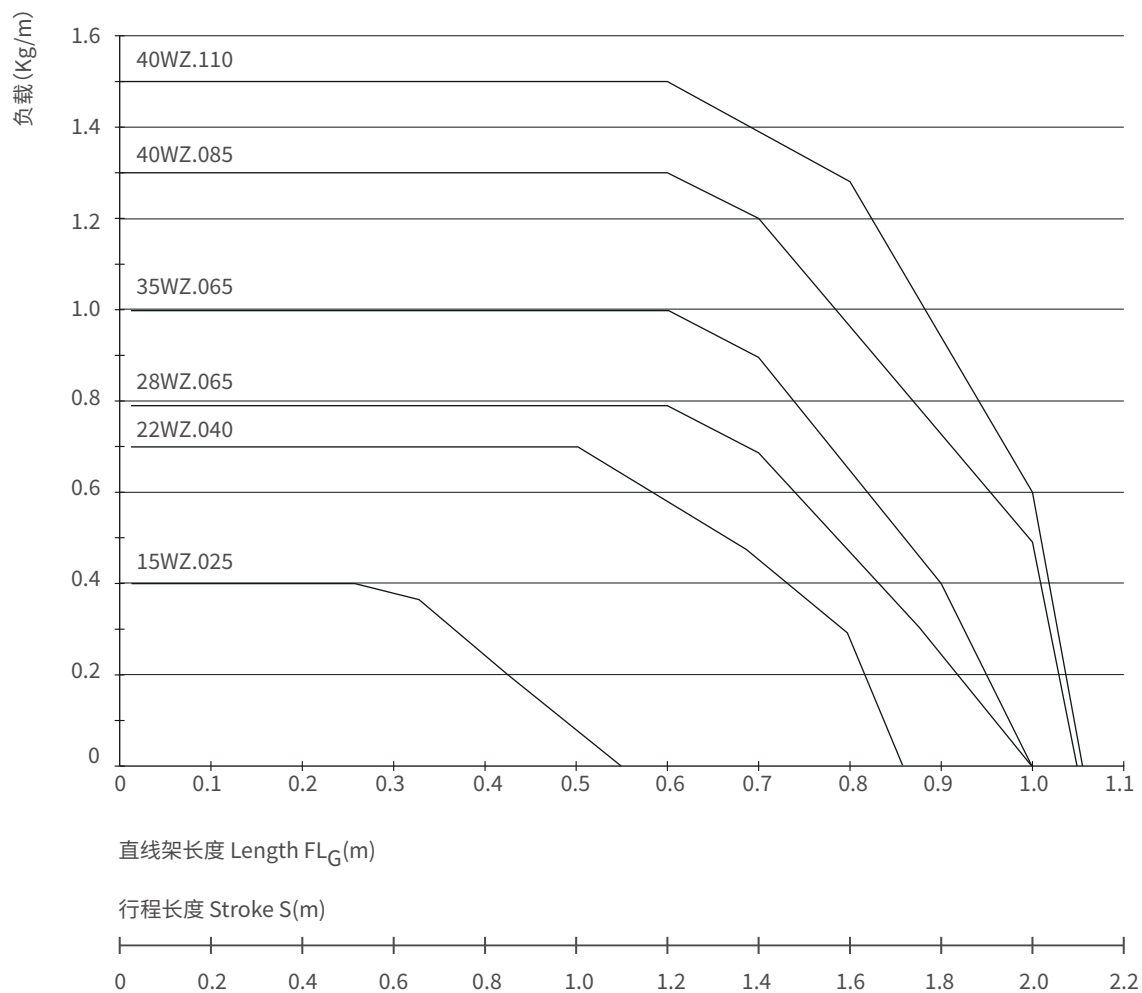
不允许使用

Not allowed to use



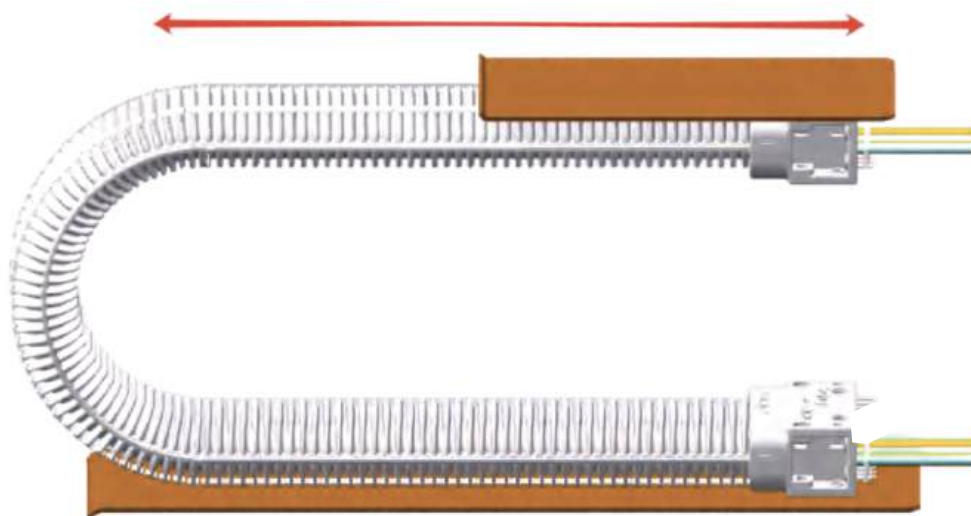
- 建议加装滚轮支撑的方式进行避免架空长度不足而产生的影响
- It is recommended that roller supports be installed to avoid the effects of insufficient overhead length.

架空长度与负载的关系 Overhead length Vs. Load



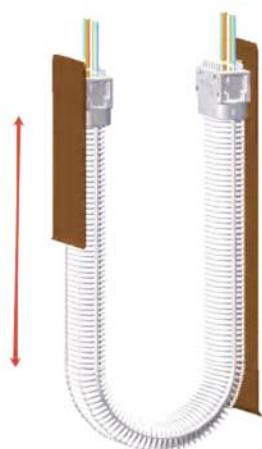
- 架空负载的数据可能因为电缆/气管的材质不同而产生变化。
The data of overhead loads may vary due to the different materials of cables/air pipes.
- 在不同温度/湿度条件下的结果可能会有差异。
The results may vary under different temperature/humidity conditions.

拖链运行方向的多样化应用 Diversified application of cable chain movement direction



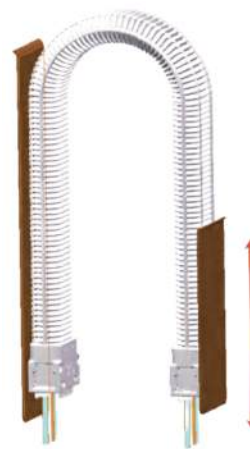
水平运行(架空范围内)

Horizontal movement (within the overhead range)



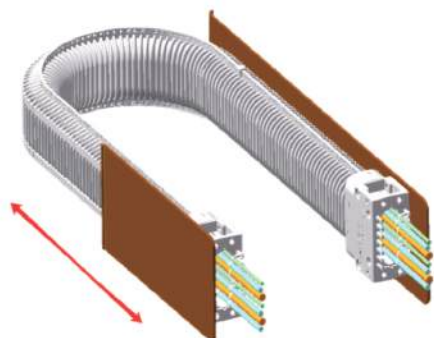
垂直向下运行(行程不超1600mm)

Vertical downward movement (stroke not exceeding 1600mm)



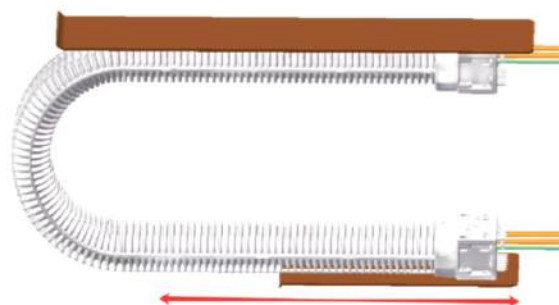
垂直向上运行(行程不超1000mm)

Vertical upward movement (stroke not exceeding 1000mm)



侧向运行(行程不超300mm)

Lateral movement (stroke not exceeding 300mm)







倒挂安装运行(行程不超400mm)

Inverted installation and movement (stroke not exceeding 400mm)

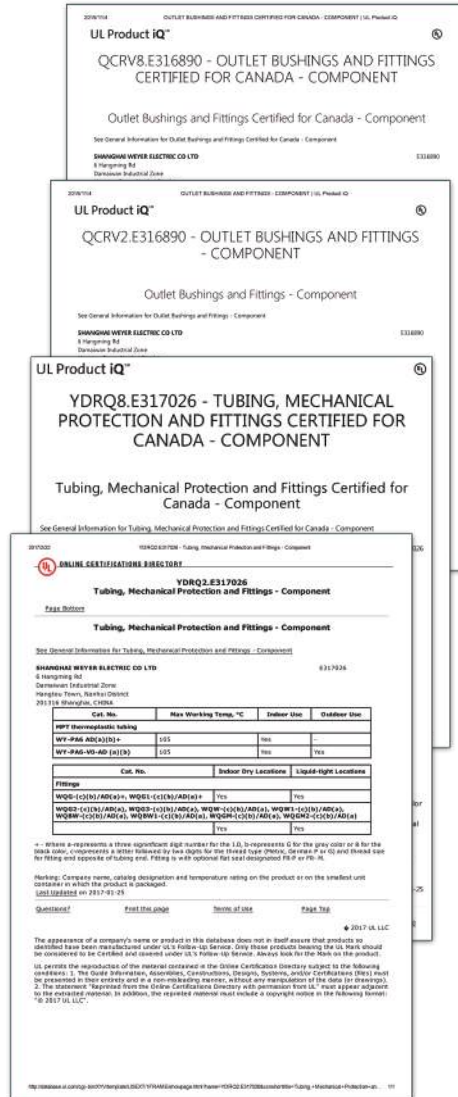
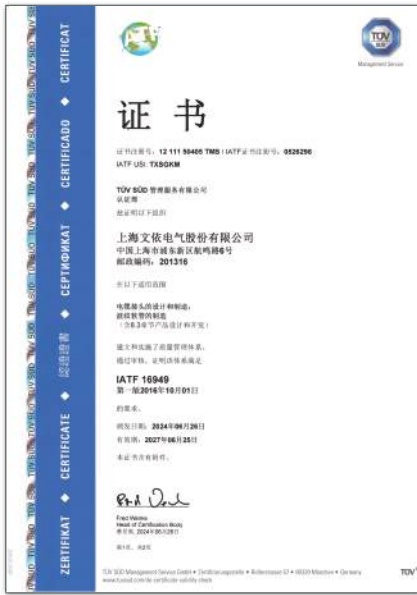
无尘拖链安装常见问题及措施

安装略图	常见问题	原因分析	对策
	拖链下垂/运行不畅/ 中部断裂	1) 超过产品的架空长度要求	增加龙骨支撑- 长度也需要限制
		2) 电缆数量太多、超过负载范围	减少电缆数量、降低负载 选择更大型号规格的产品
	拖链弯曲上翘,上方干 涉磨损, 中部断裂	1) 内部电缆、气管长度太长	整理内部电缆/气管长度, 同时在接头 两端进行锁死, 避免形成向上的拱力
		2) 超过产品的自然弯曲半径	1) 增加龙骨, 限定弯曲半径 2) 增加电缆/气管的负载, 形成向下压力
		3) 可以适当的降低弯曲高度	在移动端加装不锈钢压板(需要向上倒角15度)
	上/下盖板的齿合处 开裂/断裂/磨损	1) 安装扣合不彻底	使用拉锁进行再次扣合
		2) 电缆数量太多、超过负载范围	在左右两侧的焊接位增加卡扣
		3) 低于要求的安装高度	提高安装高度
		4) 安装左右的预留空间不足够10MM	扩大安装位置的左右宽度
	下盖板的波轮廓断裂	1) 超过拖链设计的行程	更换更长的拖管
		2) 电缆数量太多、超过负载范围	在左右两侧的焊接位增加卡扣
		3) 低于要求的安装高度	提高安装高度
		4) 内部缺少足够的横/竖隔片的分理	增加横/竖隔片的组合, 或者使用一体式分线器
	电缆/气管 磨损严重、断裂	1) 超过拖管内部空间的70%容积率	选择更大型号规格的产品
		2) 内部缺少足够的横/竖隔片的分理	增加横/竖隔片的组合, 或者使用一体式分线器
		3) 接头两端口缺少梳妆片、没有锁死电缆及气管	增加梳妆片并锁死电缆
	拖管与接头 连接处松动、断裂	1) 接头扣合松动	重新扣合、保证可以夹死中轴线, 必要时可以增加倒扣螺母增强扣合力
		2) 移动端的安装高度过小	调整固定接头的安装高度
		3) 移动端的压板制作不当	重新整改, 末端需要向上倒角, 避免压迫处刮裂
	下盖板磨损、容易纳污	导槽不平整、不光滑	增加耐磨垫
	静电产生不良影响	拖管与电缆的摩擦产生静电	选择防静电产品
	产品产生明显黄变 (允许轻微的黄变)	环境温度超过45度, 强紫外线照射	改变应用环境状况
		客户高要求, 超过物料特性	根据客户要求订做产品
拖链运行走偏、晃动	1) 固定接头未能按要求固定	重新安装	
	2) 内部电缆分布不均匀	重新安装, 空间许可情况下增加分线器	

Clean Room Cable Chains Installation General Issues & Measures

Installation photo	General issues	Reason	Measures
	Cable chain sagging Not run smoothly Central Fracture	1) Exceeds product overhead length requirements	Increase the support of keel- its length also needs to be limited
		2) Too many cables, exceeding load range	Reduce number of cables, lower loads Choose products with larger sizes
	Cable chain uparching Upper interference wear Broken in the middle	1) The internal cables and gas pipes are too long	Organize the length of the internal cable/air hose while locking at the ends of the joints to avoid the formation of an upward arching force
		2) Exceed the natural bending radius of the product	1) Increase the keel, limit the bending radius 2) Increase the load of cable/gas pipe, create downward pressure
		3) The bending height can be lowered appropriately	Install a stainless plate on the moving end (Requires 15 degree upward chamfer)
	The teeth joint of upper/lower cover plate cracked/broken/worn	1) Incomplete snap-fit	Re-snap with zipper
		2) Too many cables, exceeding load range	Add snaps to the weld positions on the left and right side
		3) Installation height lower than required	Increase the installation height
		4) The space reserved for the left and right sides of the installation is less than 10MM.	Increase the width of the left and right sides of installation position
	The corrugated profile of lower cover plate breaks	1) Exceed the designed stroke of cable chain Chain	Change to longer cable chain
		2) Too many cables, exceeding load range	Add snaps to the weld positions on the left and right side
		3) Installation height lower than required	Increase the installation height
		4) Lack of sufficient internal combing of shelf/separator	Add combinations of shelf and separator or use integrated splitters
	The cable/gas pipe is severely worn or broken	1) Exceed 70% volumetric ratio of the interior space of the chain	Choose products with larger sizes
		2) Lack of sufficient internal combing of shelf/separator	Add combinations of shelf and separator or use integrated splitters
		3) Lack of comb on both ends of the connector. The cable and air pipe are not locked	Add comb plate and lock cables
	The joint between the cable chain and the connector is loose or broken	1) The snap-fit of connector is loose	Re-snap to ensure that the centerline can be clamped. If necessary, add a nut to enhance the clamping force.
		2) The installation height of the moving end is too small	Adjust the installation height of fixed connector
		3) The pressing plate of the moving end is not properly made	Remake, chamfer upwards at the end to avoid cracking at the pressure point.
	Lower cover plate is worn, easily harbors dirt	The guide channel is not flat and smooth	Add wear pads
	Static electricity causes adverse effects	The friction between the chain and the cables generated static electricity	Choose static free products
	Product is visibly yellowing (slight yellowing is permitted)	Environmental temperature over 45 degrees, strong UV exposure	Change environmental conditions of use
		Customer requirements are high, exceeding material characteristics	Customized products according to customer requirements
The cable chain runs offset, shaking	The cable chain runs offset, shaking	1) The fixed connector is not fixed as required	Reinstall
		2) The distribution of internal cables is uneven	Reinstall, add splitters if space permits

资质证书 Qualifications & Certifications





文依产品应用举例 Applications

风能 Wind Power

储能 Energy storage

光伏 Photovoltaic

电梯行业 Elevator

新能源汽车 New energy vehicles

港口机械 Port facility

数控机床 CNC lath

工程机械 Engineering plant

铸钢机械 Cast steel machinery

化工管道 Chemical Pipeline

流量计 Flowmeter

控制柜 Control board

监控设备 Control equipment

焊接设备 Welding equipment

石材设备 Stone equipment

石油管道 Oil pipeline

电机马达 Motor

高速列车 High speed train

通讯 Communication

照明行业 Lighting



官方微信



官方网站

上海办事处

上海恒丰路638号苏河一号华森钻石 广场1808室

电话: 021-63802020

传真: 021-63802350

E-mail:sales@weyer.com.cn

天津办事处

天津市南开区西马路东侧富力盈力大厦1103室

电话: 022-58786898

传真: 022-58786899

E-mail:tjsales@weyer.com.cn

沈阳办事处

沈阳市铁西区兴华北街30号千缘新财富大厦1917室

电话: 024-22743970/22736300/22722553

传真: 024-22741021

E-mail:sysales@weyer.com.cn

广州办事处

广州市天河区车陂路113号东宏国际广场702室

电话: 020-38460231/87561202/87560832

传真: 020-87561139

E-mail:salesgz@weyer.com.cn

成都办事处

成都市武侯区航空路6号丰德国际广场E1-1209室

电话: 028-85215618/85222986/85222996

传真: 028-85215628

E-mail:cdsales@weyer.com.cn

西安办事处

西安市经开区凤城九路海博广场A座1608室

电话: 029-88331454

传真: 029-88310356

E-mail:xasales@weyer.com.cn

上海文依电气股份有限公司

Shanghai Weyer Electric Co.,Ltd.

地址: 上海市浦东新区航鸣路6-8号

电话: 021-68222020

文依精密科技(上海)有限公司

Weyer Precision Technology(Shanghai)Co.,Ltd.

地址: 上海市奉贤区大叶公路6882号

电话: 021-57562020

文依智能科技(浙江)有限公司

Weyer Intelligent Technology (Zhejiang) Co., Ltd.

地址: 浙江省桐乡市广华路140号

电话: 15325318695